

INSTRUCTION SHEET FOR 65353 DEFLECTOR KIT

Use the fabric deflector to limit the width of dispersal when applying ice melt onto sidewalks and driveways or when applying lawn chemicals near sensitive plants.

PARTS INCLUDED WITH KIT

49803	Fabric Deflector	1 pc.
25672	Clip	6 pcs.
43088	1/4" Washer	6 pcs.

1. Remove the nuts from the six bolts in the bottom of the hopper. Leave the bolts in place. See figure 1.
2. Assemble a 1/4" washer and a clip (curved side facing up) onto each bolt and secure them with the original nuts you removed. See figure 1.

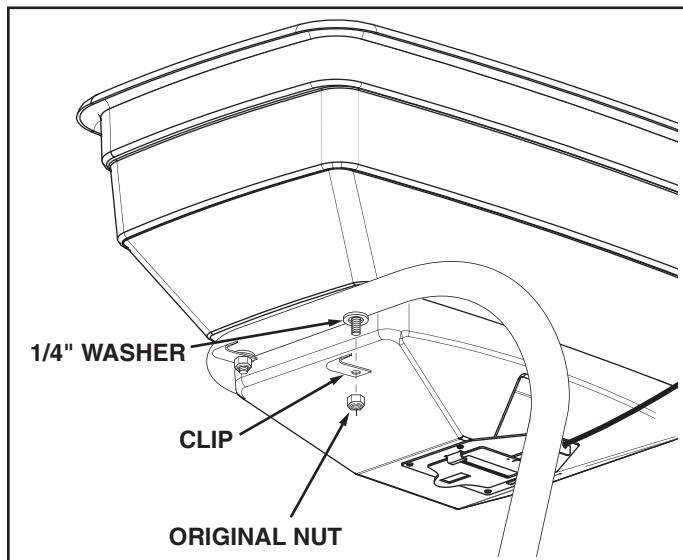


Figure 1

3. Install the fabric deflector onto the six clips around the bottom of the hopper by slipping the ends of the clips through the slits in the fabric deflector, starting with the two clips at the front of the hopper.

NOTE: A length of stiff wire can be inserted into the seam at the bottom of the deflector to make the deflector more rigid.

NOTE: The deflector can also be folded in half and used on only one side of the spreader.

NOTE: Using the deflector increases the effective application rate by limiting the width of dispersal. Adjust the flow control to a lower setting number to compensate.

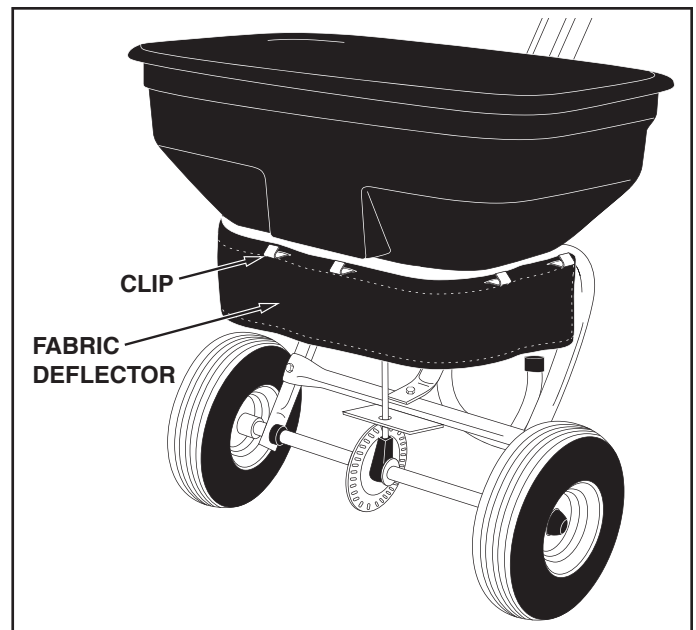


Figure 2

SpeedPart *the fastest way to purchase parts* www.speedpart.com

REPAIR PARTS
Agri-Fab, Inc.
809 South Hamilton
Sullivan, IL. 61951
217-728-8388
www.agri-fab.com