

GP5500

GP SERIES
Commercial/Residential
Portable Generators

A/C Rated Output Watts: 5500
A/C Maximum Output Watts: 6875

Model 5945-0
UPC Number: 696471059458
Emissions Certification: CARB



features

- LONG LIFE OHV ENGINE
- LOW OIL SHUTDOWN PROTECTION
- COVERED, CIRCUIT BREAKER PROTECTED OUTLETS
- STEEL FUEL TANK WITH BUILT-IN FUEL GAUGE
- LOCKING, FOLD-DOWN HANDLE
- NEVER-FLAT WHEEL KIT
- 1.25" HARDENED STEEL TUBE FRAME
- LOW TONE MUFFLER
- HOUR METER TO TRACK MAINTENANCE

customer connections

Connection Outlets

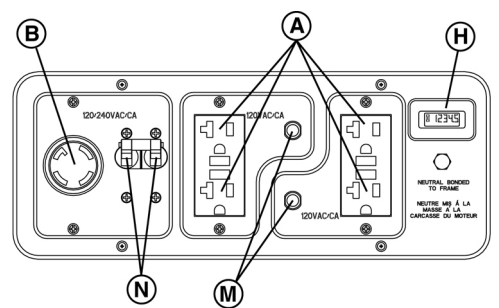
A	4X5-20R.GFCI
B	L14-30R Twist-Lock 120/240V

Circuit Breakers

M	(2) 20A
N	(2) 25A

Other Features

H	Hour Meter
---	------------



GP5500

specifications

Product Series	GP5500
Model	5945-0
Configuration/Emissions	CARB
A/C Rated Output Watts:	5500
A/C Maximum Output Watts:	6875
A/C Voltage	120/240VAC
A/C Frequency	60 Hz
Rated 120/240 VAC Amperage	22.9
Max 120/240 VAC Amperage	28.6
Engine Displacement	389cc
Engine Type	OHV
Engine RPM	3600
Recommended Oil	SAE30
Lubrication Method	Splash Sump
Choke Type	Manual Lever
Fuel Shut Off	Manual Lever
Idle Control	No
Starting Method	Manual
Battery	N/A
Battery Size	N/A
Low Oil Shutdown Method	Low Level

Start Switch Type	On/Off Toggle
Switch Location	On Engine
Single-Point Lifting Eye	N/A
Fuel Gauge	Built-in Tank
Fuel Tank Capacity (Gal)	7.20
Fuel Tank Capacity (Ltrs)	27.25
Run Time at 50% (Hours)	10.00
Cord Set	N/A
Handle Style	Folding
Wheel type	9.5" Solid Wheels
Maintenance Kit	Sold Separately
Warranty - Residential	2 Year
Warranty - Commercial	1 Year

dimensions and weights

Length (L)	28.8
Width (W)	26.8
Height (H)	25.0
Extended Length (EL)	45.0
Carton Length	31.0
Carton Width	21.7
Carton Height	23.5
Unit Weight (lbs)	183.0
Shipping Weight (lbs)	196.0

