



swisherinc.com

OWNER'S MANUAL

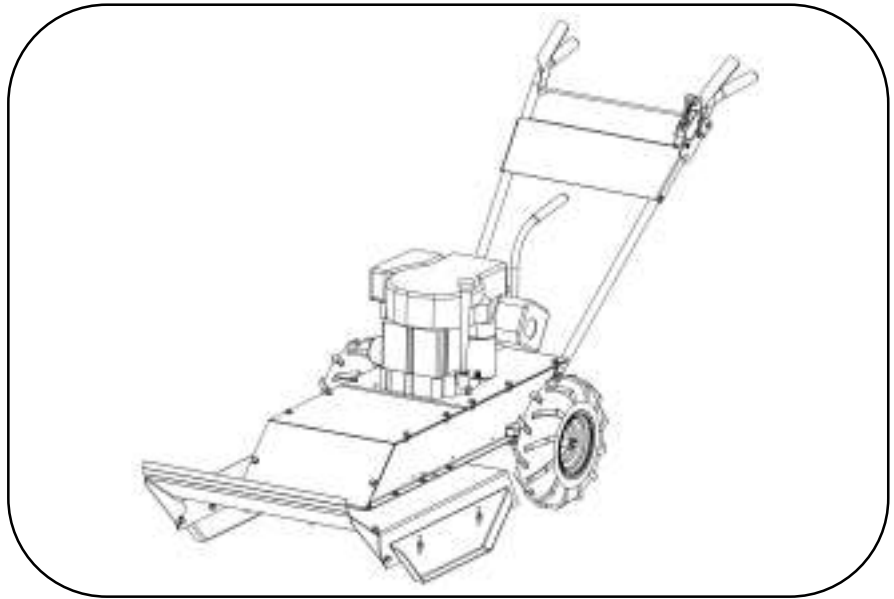
STARTING SERIAL #:
L205-057001

MODEL NO.
WB11524



Read and follow all Safety
Rules and Instructions
before operating this
equipment.

Rev 05-200



THE PREDATOR **24" ROUGH CUT** **WALK BEHIND CUTTER**

Operation
Service and Adjustment
Repair Parts



1602 CORPORATE DRIVE, P.O. BOX 67, WARRENSBURG, MISSOURI 64093
PHONE (660) 747-8183 FAX (660) 747-8650

Manufacturing quality lawn care equipment since 1945

Made In The

USA

LIMITED WARRANTY

The manufacturer's warranty to the original consumer purchaser is: This product is free from defects in materials and workmanship for a period of (1) year from the date of purchase by the original consumer purchaser. We will repair or replace, at our discretion, parts found to be defective due to materials or workmanship. This warranty is subject to the following limitations and exclusions:

- 1) Engine Warranty All engines utilized on our products have a separate warranty extended to them by the individual engine manufacturer. Any engine service difficulty is the responsibility of the engine manufacturer and in no way is Swisher Mower Co., Inc. or its agents responsible for the engine warranty. The Briggs & Stratton Engine Service Hot-Line is 1-800-233-3723. The Tecumseh Engine Service Hot-Line is 1-800-558-5402.
- 2) Commercial Use This product is not intended for commercial use and carries no commercial warranty.
- 3) Limitation This warranty applies only to products which have been properly assembled, adjusted, and operated in accordance with the instructions contained within this manual. This warranty does not apply to any product of Swisher Mower Co., Inc., that has been subject to alteration, misuse, abuse, improper assembly or installation, shipping damage, or to normal wear of product.
- 4) Exclusions Excluded from this warranty are normal wear, normal adjustments, and normal maintenance.

In the event you have a claim under this warranty, you must return the product to an authorized service dealer. All transportation charges, damage, or loss incurred during transportation of parts submitted for replacement or repair under this warranty shall be borne by the purchaser. Should you have any questions concerning this warranty, please contact us toll-free at 1-800-222-8183. The model number, serial number, date of purchase, and the name of the authorized Swisher dealer from whom you purchased the mower will be needed before any warranty claim can be processed.

THIS WARRANTY DOES NOT APPLY TO ANY INCIDENTAL OR CONSEQUENTIAL DAMAGES AND ANY IMPLIED WARRANTIES ARE LIMITED TO THE SAME TIME PERIODS STATED HEREIN FOR ALL EXPRESSED WARRANTIES. Some states do not allow the limitation of consequential damages or limitations on how long an implied warranty may last, so the above limitations or exclusions may not apply to you. This warranty gives you specific legal rights and you may have other rights, which vary from state-to-state. This is a limited warranty as defined by the Magnuson-Moss Act of 1975.

TABLE OF CONTENTS

WARRANTY.....	2	OPERATION.....	5-7
INTRODUCTION.....	3	DECALS.....	8
SAFETY.....	3-4	PARTS BREAKDOWN.....	9-13
PRE-OPERATING.....	4	SAFE SLOPE GUIDE.....	15

Thank you for choosing Swisher's 24" Rough Cut Walk Behind Cutter. Before operating your cutter, please read, understand and follow all of the safety precautions and other instructions explained in this manual. As with all power equipment, lawnmowers can be potentially dangerous if not properly used.

SAFETY PRECAUTIONS



This Safety Alert Symbol indicates important messages in this manual. When you see this symbol, carefully read the message that follows and be alert to the possibility of personal injury.

Read this manual completely. This machine can amputate hands and feet, and throw objects. Failure to observe the following safety instructions could result in serious injury or death.

- Read the manual. Learn to operate this machine safely.
- Always disconnect the spark plug wire and place the wire where it cannot contact the spark plug, to prevent accidental starting the engine when setting up, transporting, adjusting or making repairs.
- Keep all shields and guards in place.
- Understand the speed, steering and stability of this machine. Know the positions and operations of all controls before you operate this machine. Check all of the controls in a safe area before starting to work with this machine.
- Allow only responsible adults who are familiar with these instructions to operate this machine. **Never allow children to operate this machine.**
- Clear the area of objects such as rocks, toys, wire, etc. that can be picked up and thrown by the blade.
- Be sure the area is clear of other people before mowing. Be aware of the mower discharge direction and do not point at anyone. **Stop the machine** if anyone enters the mowing area. Children are often attracted to the machine and the mowing activity. ***Never assume that children will remain where you last saw them.*** Keep children under the watchful care of another responsible adult.
- **No riders!**
- Do not put hands or feet near or under rotating parts.
- Do not mow in reverse. **Always look down and behind before and during backing.**

- Turn off the blade when not mowing. Before leaving the machine, turn off the blade and stop the engine.
- Watch for traffic when operating near or crossing roadways.
- Do not operate the mower if it has been dropped or damaged in any manner or if the mower vibrates excessively. Excessive vibration is an indication of damage. Repair mower as necessary.
- Dress properly. Do not operate the mower when barefoot or wearing open sandals. Wear only solid shoes with good traction when mowing.
- Never allow operation by untrained persons.
- Do not operate the machine while under the influence of alcohol or drugs.
- Do not operate on slopes greater than 15 degrees.
- Never tamper with safety devices. Check their proper operation regularly.
- Stop and inspect the equipment if you strike an object. Repair, if necessary, before restarting. Never make adjustments or repairs with the engine running.
- Mower blades are sharp and can cut. Wrap the blades or wear gloves, and use extra caution when servicing them. Do not operate at too fast a rate.

PRE-OPERATING INSTRUCTIONS

- Disengage spark plug wire and place where it cannot make a connection.
- Check engine oil. All engines are filled with oil at the factory. Verify oil level and add if necessary before starting engine. (See Engine Owner's Manual)
- Verify fuel level and add if necessary before starting engine.
- Reconnect spark plug wire.
- (Refer to Owner's Manual pp. 5-7) For proper operating procedures.



OPERATING YOUR NEW CUTTER



The operation of any mower can produce foreign objects to be thrown into the eyes, resulting in severe eye damage. Always wear certified safety glasses or wide-vision safety goggles over spectacles before starting any cutting machine and while operating such a machine.



The operation of any cutter produces sound waves that are damaging to the human ear. Ear protection is recommended.



CAUTION!

Tragic accidents can occur if the operator is not alert to the presence of children. Children are often attracted to the machine and the mowing activity. *Never assume that children will remain where you last saw them.*

INTENDED USE

This is not a lawn mower. The Predator is designed for cutting overgrown brush, weeds, and other types of organic growth. This unit is capable of clearing small saplings of 1-1/2" in diameter or less.

PROPULSION

The Predator is self-propelled, and is controlled by a "GROUND CONTROL" lever. To engage the drive, put the transaxle in a gear and activate the left lever. Releasing the lever will disengage the self-propel.

Under most conditions cutting should be done in a low gear (1st or 2nd). Upper gears should be used for conditions where weeds and brush are thinned out or not as tall. In confined areas the machine can be pushed forwards or backwards by releasing the "GROUND CONTROL" lever, placing the transaxle in neutral, and pushing the machine.

TRAVEL SPEED

Can be varied by choosing a higher or lower gear using the gearshift lever at the rear of the machine or by changing the engine speed with the engine throttle. Do not adjust speed with the blade engaged. To shift the cutter into reverse, release "GROUND CONTROL" lever, disengage blade, and rotate the shift lever to the left. When the lever stops, lift up the reverse lockout latch and continue to move the shift lever to the left until it stops again. **The Predator is equipped with a safety control that will kill the engine if the blade is engaged while cutter is in the "reverse" gear.**

ENGAGING BLADE

An "OPERATOR PRESENCE" lever and a "BLADE ENGAGE DRIVE" control work together to engage the Predator's blade. Both devices must be activated before the blade will work. Releasing the "OPERATOR PRESENCE" lever will disengage both the blade and the "BLADE ENGAGE DRIVE" control.

STARTING THE ENGINE

See engine manufacturer's recommendations for the type and amount of oil and fuel used. Engine must be level to accurately check and fill oil. Do not overfill.

- Make sure unit is level, blade is disengaged, and transaxle in "NEUTRAL"
- Check spark plug wire, oil level, and fuel level.
- Check all electrical connections for build-up of debris.
- If needed set "CHOKER" to "CHOKER" position.
- Set engine throttle control to ½ throttle position.
- Pull rope with a single fluid motion.
- After engine has started set "CHOKER" to "RUN" position.

STOPPING

- Bring cutter to a complete stop.
- Disengage mower blade.
- Reduce engine idle speed, and allow engine to run momentarily for cooling.
- Place transaxle in the "NEUTRAL" position.
- Move engine throttle control to off position.

CUTTER HEIGHT ADJUSTMENT

- Place two 6" wooden blocks under the deck on the side being adjusted.
- Remove nuts and bolts from the side runner.
- Slide skid up or down to preferred position.
- Replace the nuts and bolts making certain they tightened securely.
- Repeat for the other side. Runners should be at the same height.

BREAKING IN YOUR CUTTER

- Start engine properly.
- Slowly, engage blade control.
- Under supervision, allow blade to rotate and engine to idle for 5 minutes.
- Disengage blade.
- Shift through each gear. While in each gear engage the "GROUND CONTROL" lever and travel 20 yards to ensure transaxle works properly.

BEGIN CUTTING

- Make sure area is clear of all bystanders.
- Make sure that all guards, belt guides, and the spark plug wire are properly attached.
- Start engine, set engine throttle control at maximum engine idle speed for best results.
- Allow engine to run a few moments and Slowly, engage blade.
- Move transaxle into low gear and activate "GROUND CONTROL" lever.
- Turning is done by rotating the handles left or right. This machine has significant weight and may take more effort to turn than one may expect. Turning could take practice.

BACKING UP

- Disengage blade.
- Check behind you for safety.
- Move transaxle into "REVERSE" position.
- Activate "GROUND CONTROL" lever.

TRANSPORTING

- Shut off engine.
- Secure in place while unit is being transported.
- Unit should be left in low gear to avoid any slight rolling.

SUGGESTED PRACTICES

- Always operate engine at full throttle when cutting to assure the best cutting performance and proper discharge of material.
- If grass is wet, allow it to dry. Wet grass clumps will collect on the bottom of the deck.
- Go slow when cutting dense areas. Some dense areas may need to be gone over twice. Better results occur if the second cut is 90 degrees to the first cut.

BEFORE EACH SEASON

A new spark plug and clean air filter assure proper air-fuel mixture and help your engine run better and last longer.

- Replace the spark plug.
- Clean or replace the air filter.
- Check blades and belts for wear.

BEFORE EACH USE

- Check engine oil level. (Do this twice to ensure an accurate reading.)
- Check condition of air filter and clean or replace if necessary.
- Check blade operation.
- Check for loose fasteners.

DAILY MAINTENANCE

Make sure all nuts and bolts are tight and cotter pins and retainer springs are secure. Keep blades sharp. Observe all safety precautions.

BLADE CARE AND SERVICE

For best results cutter blades must be kept sharp. The blades can be sharpened with a few strokes of a file or grinding wheel. Do Not attempt to sharpen while on the cutter.

Important: Replace blades that have been damaged or deeply nicked.

Important: Check blade and spindle hardware on a regular basis to make sure nuts are tight.



SAFETY AND OPERATIONAL DECALS

Replace decal immediately if damaged. Order by part number from Swisher Mower and Machine Co. Inc.



OD55--DANGER DECAL



OD45--WARNING DECAL



OD83--RN1234 SHIFT DECAL



10749--REVERSE LOCK DEECAL



OD39--SWISHER FLAG DECAL



OD99112—LARGE LOGO WHITE DECAL

DECALS NOT SHOWN

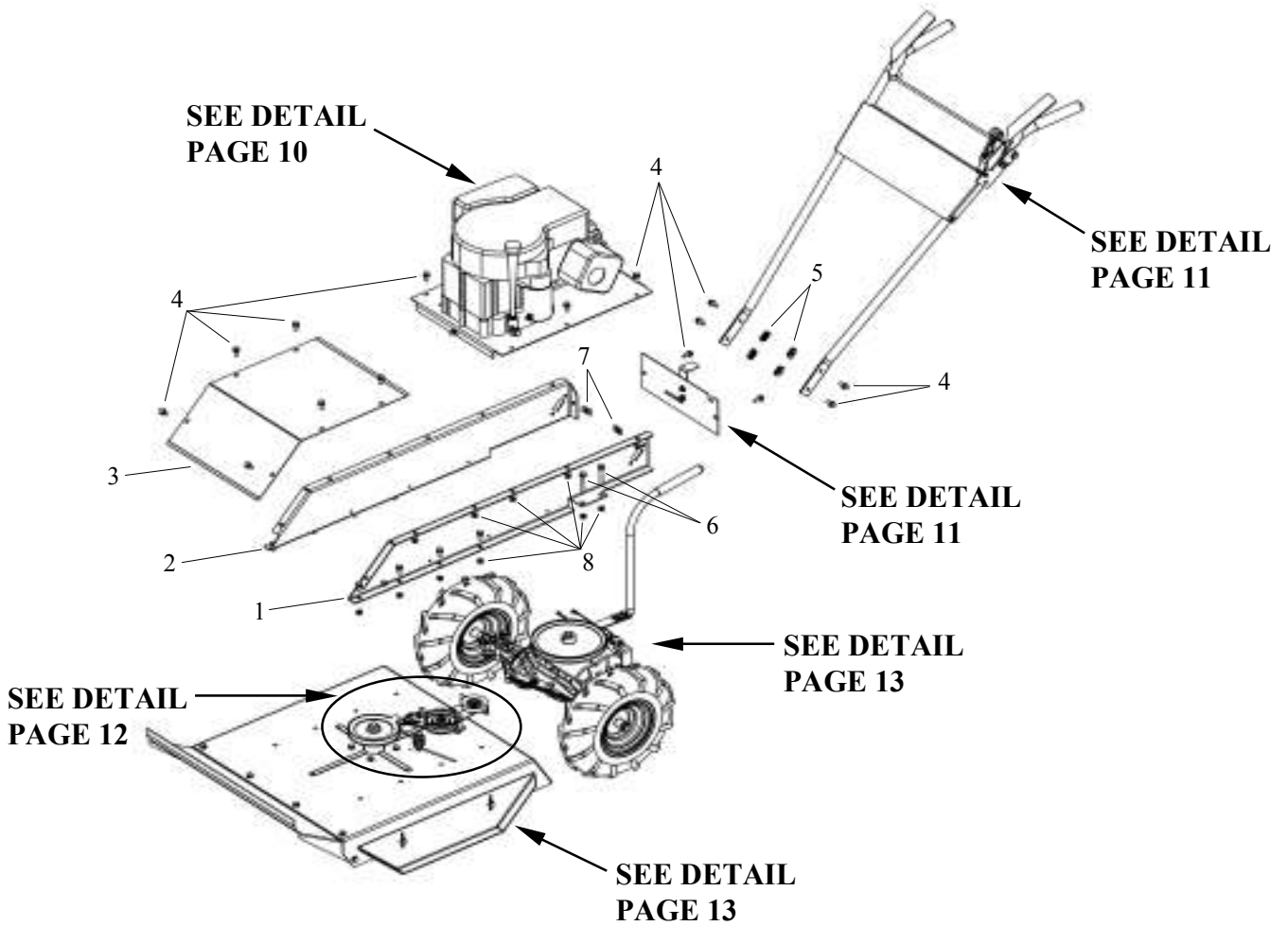
OD85--Predator LH Decal

OD86--Predator RH Decal

OD71--New Serial # Decal

OD87--Rugged Cut 24 4SP Trans White Decal

OVERALL ASSEMBLY



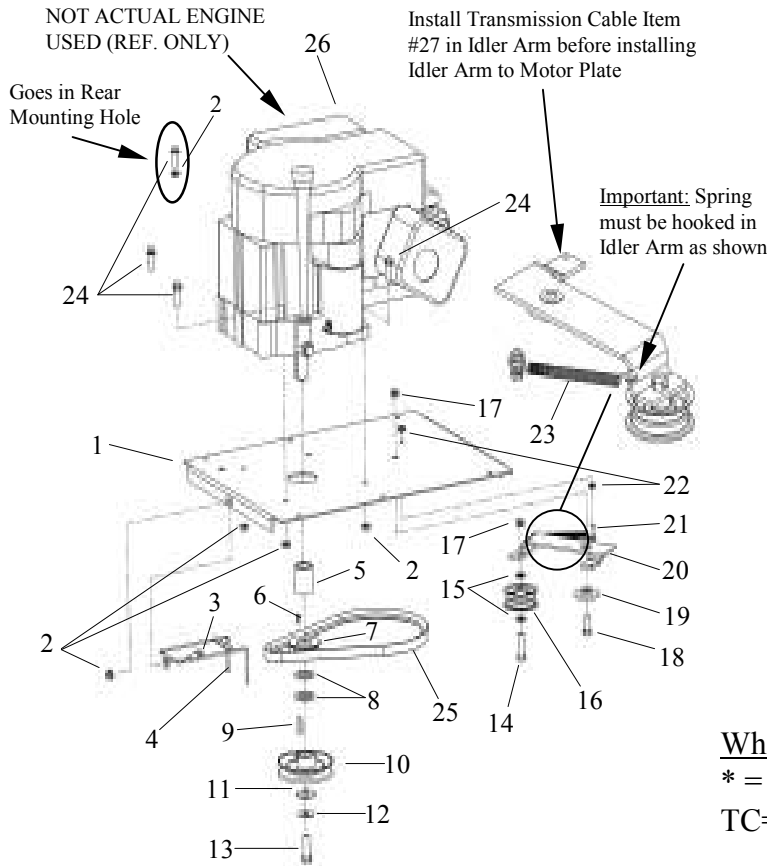
Item #	Description	Part #
1	Predator Side Channel (Left)	10677TC
2	Predator Side Channel (Right)	10676TC
3	Predator Belt Cover	10682TC
4	5/16-18 X 3/4 Serr. Flange Bolt	NB596
5	Tinnerman Clips 5/16-18 Heavy Duty	3669
6	5/16-18 X 2 1/4 Serr. Flange Bolt GR5 ZP	NB622
7	Tinnerman Clip 5/16-18	3706
8	5/16-18 Serr. Flange Nut	NB170

When ordering replacement parts

* = USE PAINT CODE:

TC=TEX.RED,S=SILVER,TK=TEX.BLACK

ENGINE-PULLEY ASSEMBLY

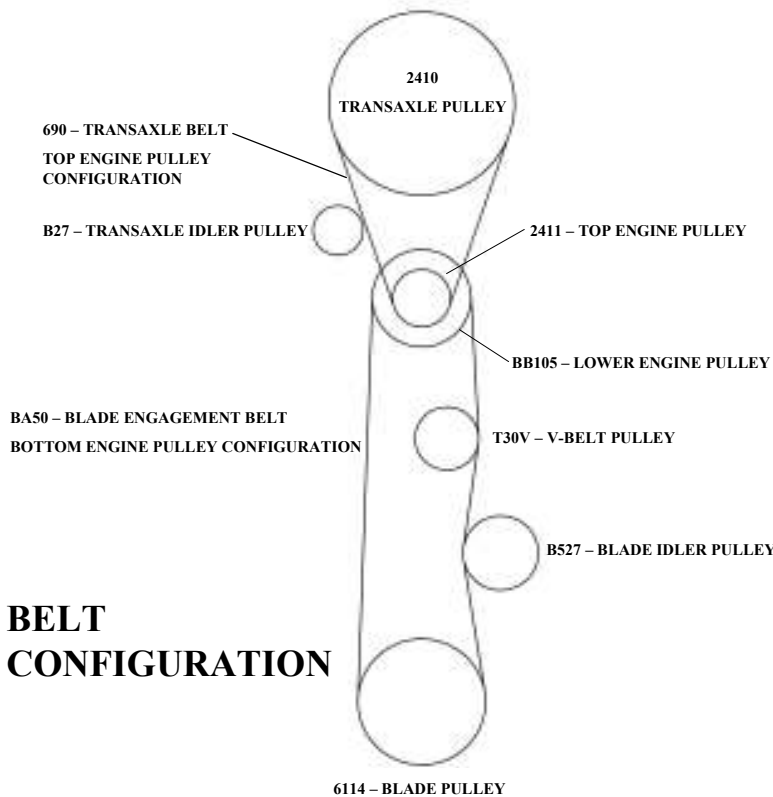


Item #	Description	Part #
1	Motor Plate	10678TC
2	5/16-18 Serr. Flange Nut	NB170
3	5/16-18 X 3/4 Serr. Flange Bolt	NB596
4	Belt Retention Weldment	10767
5	Engine Pulley Spacer 1.75" Long	BB105S
6	1/4 X 1/2 Key Stock	4258
7	Engine Pulley- 2.5"	2411
8	1 X 1 1/2 10GA Washer	NB614HT
9	1/4 X 1 Key Stock	9031
10	Engine Pulley- 4.25"OD, 1 1/4 ID	BB105
11	Washer, Front Wheel (Heat Trtd)	TR150W
12	Washer Belleville	699
13	7/16-20 X 1 1/2 HCF GR5 ZP NYLOC	NB637
14	3/8-16 X 1 1/2 HCCG	NB107
15	3/8 SAE Washer	NB272
16	Idler Pulley OD-2.16", ID-3/8"	B27
17	3/8-16 2 Way Locking Nut	NB280
18	3/8-16 X 1 GR5 ZP Bolt	NB604
19	Idler Bushing	6037
20	Idler Arm	10671TK
21	1/4-20 X 3/4 GR5 ZP Bolt	NB250
22	1/4-20 Serr. Flange Nut	NB524
23	Spring	T2SM
24	5/16-18 X 1 1/4 Serr. Flange Bolt	NB253
25	Transmission Belt-33"	690
26	Engine B&S Recoil St W/Gas Tank	N/A
27	Transmission Cable	2432

When ordering replacement parts

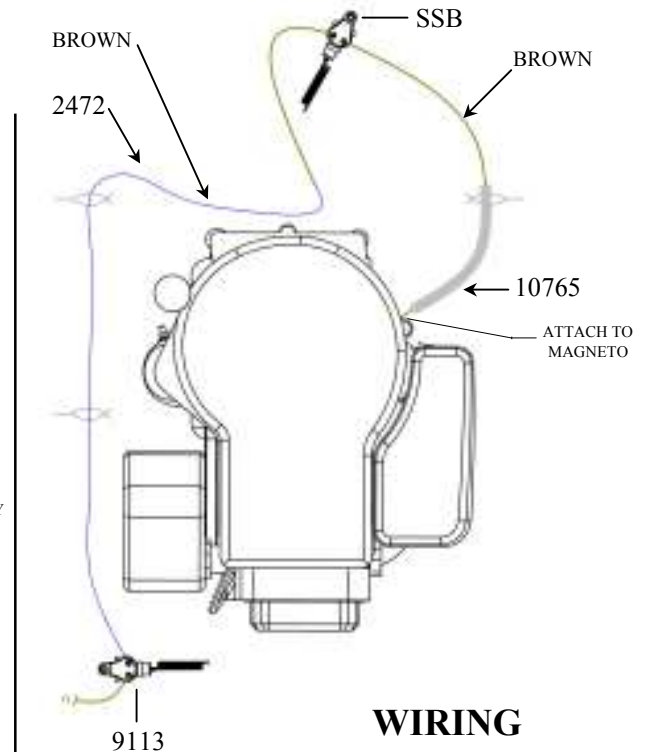
* = USE PAINT CODE:

TC=TEX.RED,S=SILVER,TK=TEX.BLACK



BELT CONFIGURATION

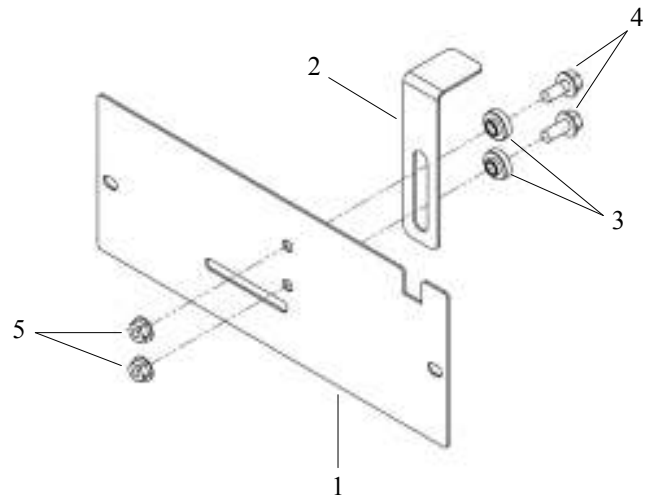
NOTE: WIRES MUST PASS THROUGH ALL WIRE GUIDES POSSIBLE



WIRING CONFIGURATION

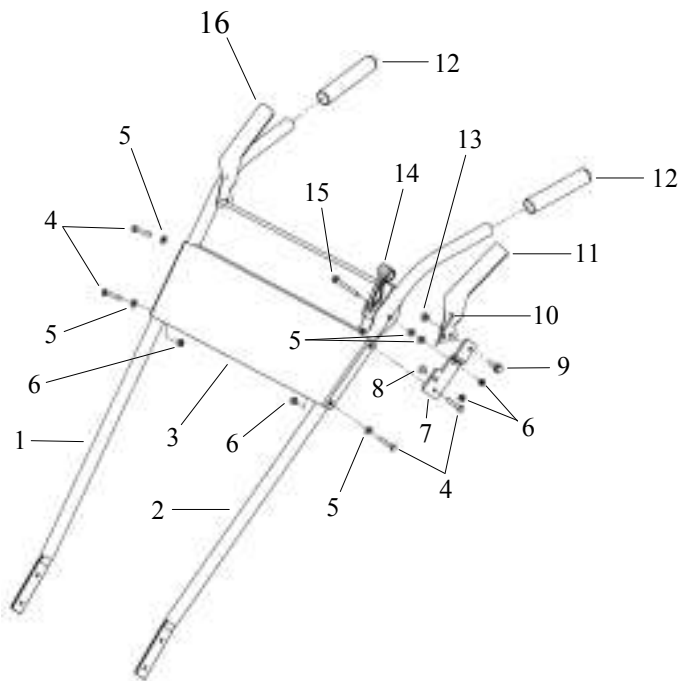
REAR COVER ASSEMBLY

Item #	Description	Part #
1	Rear Cover	10679TC
2	Anti Reverse Arm	10680TK
3	Spacer	B99S
4	5/16-18 X 3/4 Serr. Flange Bolt	NB596
5	5/16-18 Serr. Flange Nut	NB170



HANDLE BAR & LEVER ASSEMBLY

Item #	Description	Part #
1	Predator Handle Bar (RIGHT)	10687TK
2	Predator Handle Bar (LEFT)	10688TK
3	Predator Crossover Console	10686TK
4	1/4-20 X 1 1/2 HCC GR2 ZP	NB104Z
5	1/4 SAE Washer	NB274
6	1/4-20 Nylok Nut	NB180
7	Blade Lever Cable Plate	10713TK
8	1/4-20 X 1/2 MSC ZP Truss Slot	NB113
9	5/16-18 X 3/4 Serr Flange Bolt	NB596
10	Transaxle Idler Cable	2432
11	Predator Engagement Lever	10685TK
12	Handle Grip	7826
13	5/16-18 Nylok Nut	NB181
14	Latching Drive Control	4295
15	1/4-20 X 2 1/2 Flange Bolt	NB208
16	Blade Engagement Lever Weldment	10730TK



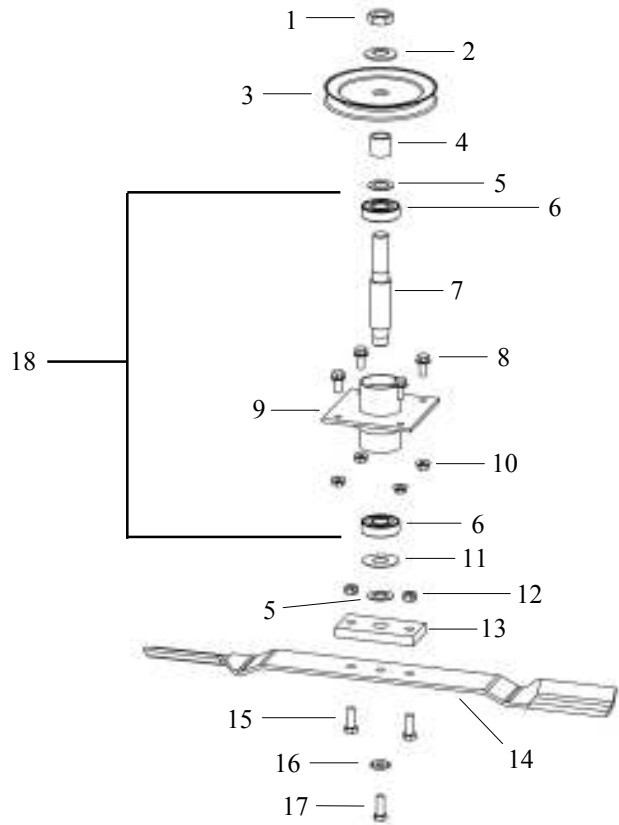
When ordering replacement parts

* = USE PAINT CODE:

TC=TEX.RED,S=SILVER,TK=TEX.BLACK

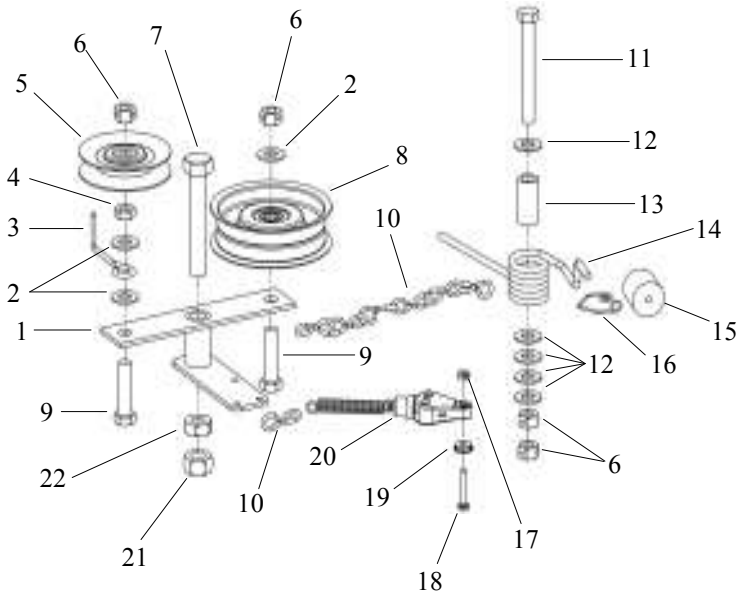
BLADE DRIVER ASSEMBLY

Item #	Description	Part #
1	3/4-16 Jam Nut	NB175
2	1.5x.761x.098x.134 Belleville Washer	AS155
3	Blade Pulley-5.5"	6114
4	Pulley Spacer	6104RS
5	3/4 ID X 1 1/4 OD 18 GA Washer	NB179
6	Blade Bearing	B98
7	Blade Shaft 6"- Long Shoulder	9078
8	5/16-18 X 3/4 Serr. Flange Bolt	NB596
9	Blade Bearing Housing	9091TK
10	5/16-18 Serr. Flange Nut	NB170
11	3/4 ID X 1 3/4 OD Flat Washer	B98W
12	3/8-24 Two Way Locknut	NB216
13	Blade Mount Plate	9008
14	Blade 24"	9016
15	3/8-24 X 1 Bolt	NB238
16	SP Washer Bellm. PLN .413 X .945 X .118	NB607
17	3/8-24 X 1 Engine Bolt Lockite	NB238N
18	Blade Driver Assy	10712



BRAKE ASSEMBLY

Item #	Description	Part #
1	Blade Idler Weldment	10668TK
2	3/8 SAE Washer	NB272
3	Finger for Belt Release	T30F
4	3/8-16 Jam Nut	NB174
5	Pulley, Idler Clutch, 2 3/4 OD	T30V
6	3/8-16 2-Way Lock Nut	NB280
7	1/2-13 X 3 HCC GR5 Bolt ZP	NB131
8	Idler Pulley OD-3.25", ID-3/8"	B527
9	3/8-16 X 1 1/2 HCC GR5 ZP	NB107
10	Sgl Jk Chn, Zps, Sz12, 16#	AS080
11	3/8-16 X 2 1/2 HTC GR5 ZP	NB619
12	3/8 Hardened Washer	NB196
13	Spacer .625 OD X 1.25 X 11 GA	8072TK
14	Torsion Brake Spring	BT297
15	Brake Pad-Cylindrical	9114
16	Brake Pad Retainer Spring	BP370S
17	8-32 Nylok Nut	NB193
18	8-32 X 1 Slot HWH ZP	10742
19	8-32 Kep Nut	NB201
20	Safety Switch Assy- Brown Wires	SSB
21	1/2-13 2-Way Jam Lock Nut	NB121
22	1/2-13 Nut GR2 ZP	NB213Z



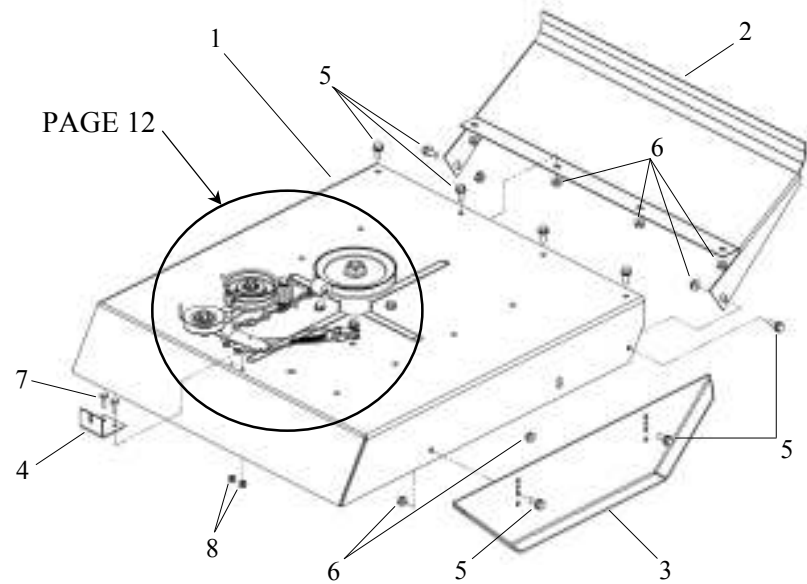
When ordering replacement parts

* = USE PAINT CODE:

TC=TEX.RED,S=SILVER,TK=TEX.BLACK

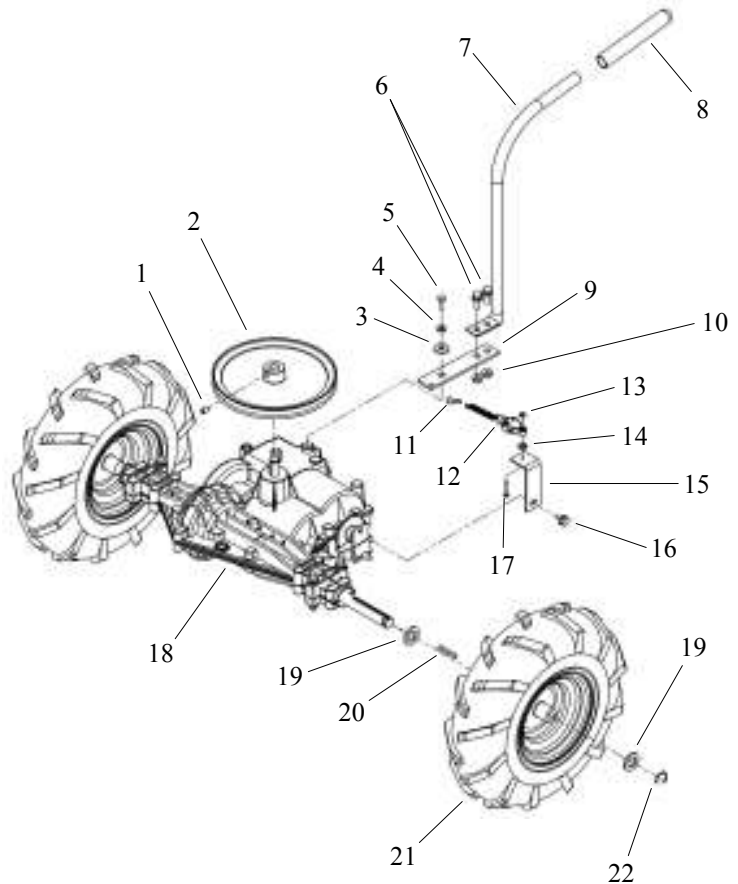
MOWER DECK ASSEMBLY

Item #	Description	Part #
1	Deck Weldment	10695TC
2	Brush Guard	10681TK
3	Deck Side Skid	10683TK
4	Blade Engagement Cable Clip	10673TK
5	5/16-18 X 3/4 Serrated Flng Bolt	NB596
6	5/16-18 Serrated Flng Nut	NB170
7	1/4-20 X 3/4 GR5 ZP Bolt	NB250
8	1/4-20 Nylok Nut	NB180



TRANSAXLE ASSEMBLY

Item #	Description	Part #
1	5/16-18 X 1/2 SSC With Loctite H	NB312
2	Transmission Pulley- 8"	2410
3	SP Washer Bellm. PLN .413 X .945 X .118	NB607
4	1/4 SAE Washer	NB274
5	1/4-28 X 3/4 GR5 ZP	NB620
6	5/16-18 X 3/4 Serr Flng Bolt	NB596
7	Transmission Shift Handle	10684TC
8	Transmission Lever Grip	2427
9	Transmission Shift Lever	10715TC
10	5/16-18 Serrated Flng Nut	NB170
11	Sgl Jk Chn, Zps, Sz12, 16#	AS080
12	Safety Switch	9113
13	8-32 Nylok Nut	NB193
14	8-32 Kep Nut	NB201
15	Neutral Switch Bracket	10738
16	5/16-18 x 1/2 HWH Rolok Screw ZP	10743
17	8-32 X 1 Slot HWH ZP	10742
18	Transaxle	4256
19	3/4ID X 1 1/4OD 10 GA. Washer	NB184
20	3/16 X 1 1/2 Key Stock	2434
21	Wheel Assy. Left 4.8x8	2401L
	Wheel Assy. Right 4.8X8	2401R
22	3/4 E-Style Retaining Ring	NB621

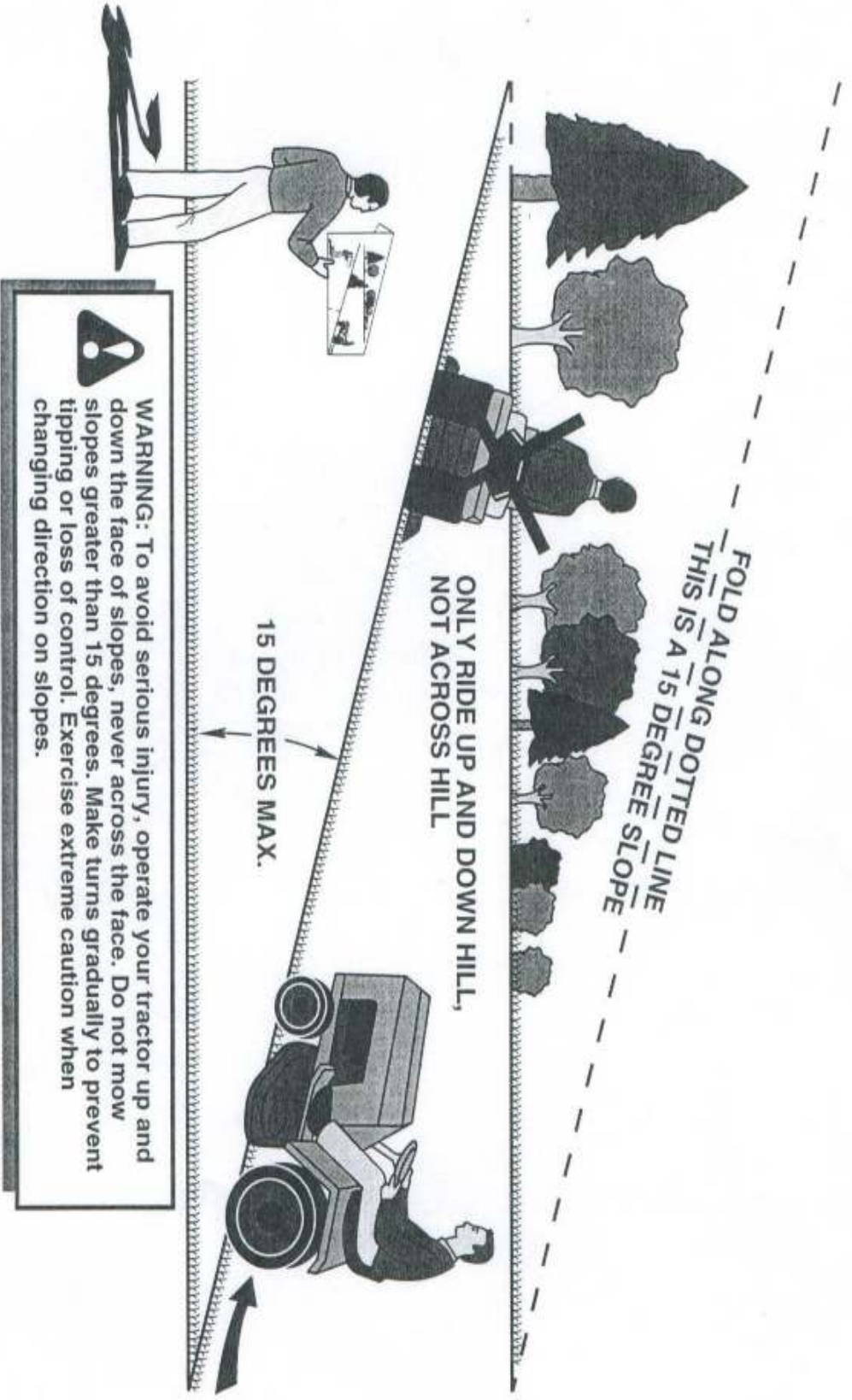


When ordering replacement parts

* = USE PAINT CODE:

TC=TEX.RED,S=SILVER,TK=TEX.BLACK

SUGGESTED GUIDE FOR SIGHTING SLOPES FOR SAFE OPERATION



1. Fold this page along dotted line indicated above.
2. Hold page before you so that its left edge is vertically parallel to a tree trunk or other upright structure.
3. Sight across the fold in the direction of hill slope you want to measure.
4. Compare the angle of the fold with the slope of the hill.



swisherinc.com

**OWNER'S
MANUAL
MODEL NO.
WB11524**

**PREDATOR
24" WALK BEHIND**

Each cutter has its own model number. Each engine has its own model number. The model number for the cutter will be found on the right hand side of the drive belt housing. The model number for the engine will be found on the top of the valve cover.

All cutter parts listed herein may be ordered directly from Swisher Mower & Machine Co. Inc. or your nearest Swisher dealer.

All engine parts may be ordered from the nearest dealer of the engine supplied with your cutter.

WHEN ORDERING PARTS, PLEASE HAVE THE FOLLOWING INFORMATION AVAILABLE:

- * PRODUCT – WALK BEHIND PREDATOR
- * SERIAL NUMBER - _____
- * MODEL NUMBER - _____
- * ENGINE MODEL NUMBER - _____
- TYPE - _____
- * PART NUMBER
- * PART DESCRIPTION

TELEPHONE - 1-800-222-8183

FAX - 1-660-747-8650

SWISHER MOWER & MACHINE CO. INC.
1602 CORPORATE DRIVE P.O. BOX 67
WARRENSBURG, MO 64093



SWISHER MOWER & MACHINE CO. INC.