

The limited warranty set forth below is given by Precision Products, Incorporated with respect to new merchandise purchased and used in the United States, its possessions and territories.

Precision Products, Incorporated warrants the product (s) listed against defects in material and workmanship, and will at our option, repair or replace, free of charge, any part found to be defective in materials or workmanship. This limited warranty shall only apply if this product has been assembled, operated, and maintained in accordance with the owner's manual furnished with the product, and has not been subject to misuse, abuse, neglect, accident, improper maintenance, alteration, vandalism, theft, fire, water, or damage because of other peril or natural disaster.

Normal wear parts or components thereof are subject to separate terms as follows: All normal wear parts or component failures will be covered on the product for a period of one year. Parts found to be defective within the warranty period will be replaced at our expense. Our obligation under this warranty is expressly limited to the replacement or repair, at our option, of parts found to be defective in material and workmanship.

Contacting Service

Warranty parts replacements are available, ONLY WITH PROOF OF PURCHASE, through our Customer Service Department.

Call **1 (800) 225-5891**

This limited warranty does not provide coverage in the following cases:

1. Routine maintenance items such as lubricants and filters.
2. Normal deterioration of the exterior finish due to use or exposure.
3. Transportation and/or labor charges.

No implied warranty, including any implied warranty of merchantability of fitness for a particular purpose, applies after the applicable period of express written warranty above as to the part as identified below. No other expressed warranty, whether written or oral, except as mentioned above, given by any person or entity, including a dealer or retailer, with respect to any product, shall bind Precision Products, Inc. during the period of the warranty, the exclusive remedy is repair or replacement of the product as set forth above. The provisions as set forth in this warranty provide the sole

and exclusive remedy arising from the purchase.

Precision Products, Inc. will not be liable for incidental or consequential loss or damage including, without limitation, expenses incurred for substitute or replacement lawn care services, or for rental expenses to temporarily replace a warranted product.

Some states do not allow the exclusion or limitation of incidental or consequential damages, or limitations on how long an implied warranty lasts, so the above exclusions or limitations may not apply to you.

During the warranty period, the exclusive remedy is replacement of the part. In no event shall recovery of any kind be greater than the amount of the purchase price of the product sold. Alteration of safety features of the product shall void this warranty. You assume the risk and liability for loss, damage, or injury to you and your property and/or to others and their property arising out of the misuse or inability to use this product.

This limited warranty shall not extend to anyone other than the original purchaser or to the person for whom it was purchased as a gift.

Local Law to this Warranty

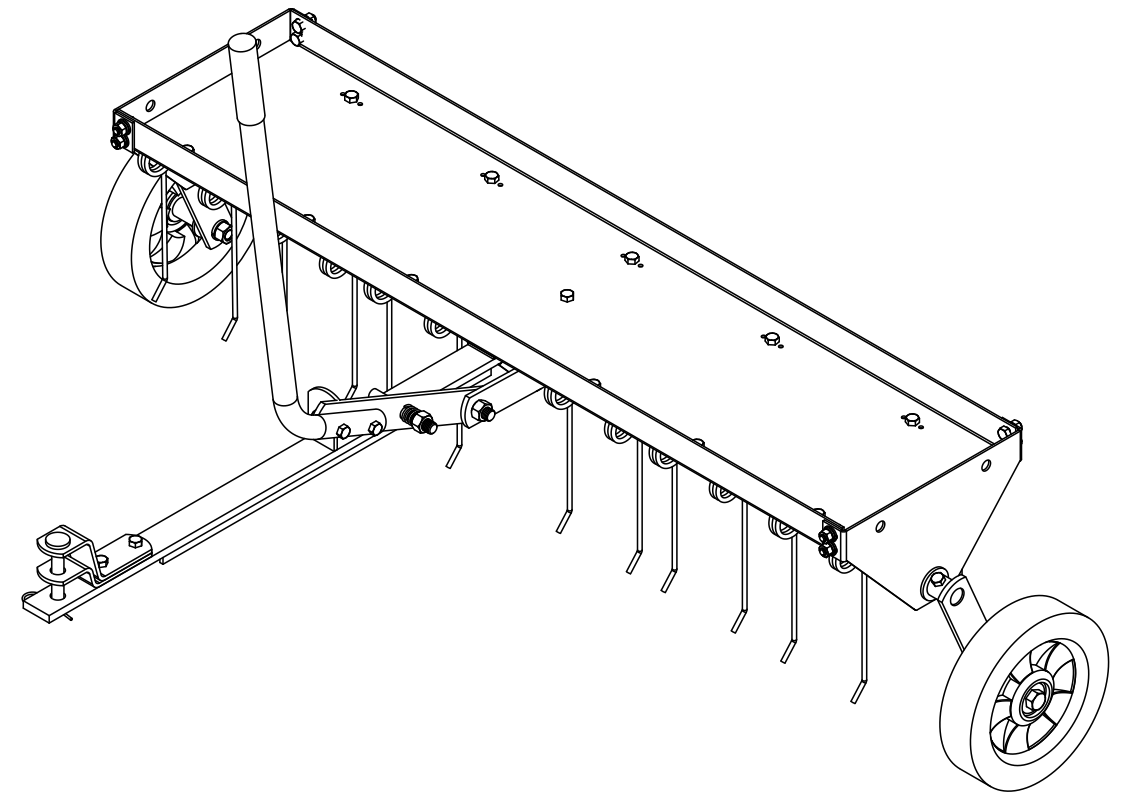
This limited warranty gives you specific legal rights, and you may also have other rights which vary from state to state.

Warranty Period

The warranty period stated below begins with the **Proof of Purchase**. Without the proof of purchase, the warranty period begins from the date of manufacture.

Product Warranty Period

The warranty period for this product is as follows: All parts are covered for 1 year.



Manual Contents

| | |
|---------------------------|-----|
| Safety Instructions | 2 |
| Assembly..... | 4-5 |
| Operation..... | 5 |
| Maintenance..... | 5 |
| Parts..... | 6-7 |
| Warranty..... | 8 |

Your New Dethatcher

Congratulations on your purchase of a new Precision Products, Inc. Dethatcher. Your dethatcher has been engineered and built to give you the most dependable and best performing product possible.

If you experience any problem you can not easily resolve, please feel free to contact our knowledgeable and helpful customer service department toll-free at **1 (800) 225-5891**.

Caution: Read all Rules for Safe Operation and Instructions Carefully.

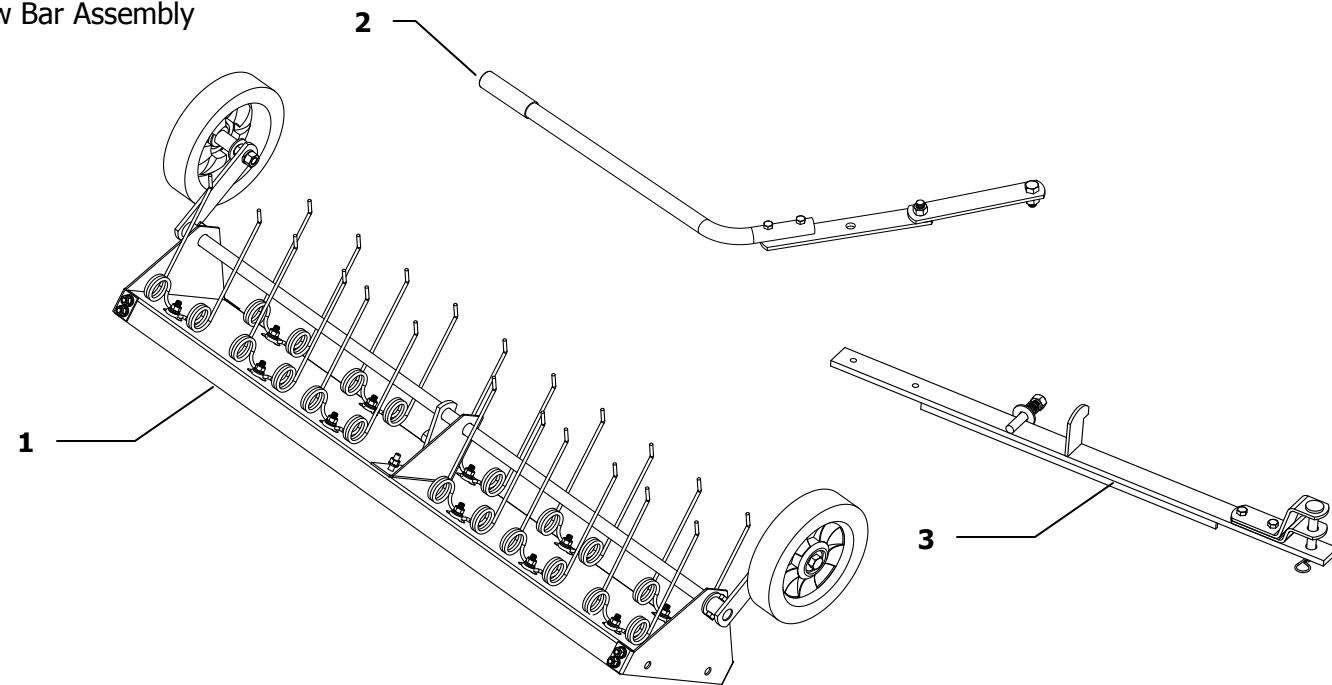
! Rules for Safe Operation

All power equipment can cause injury or property damage if operated improperly. Please read and observe the following safety rules and exercise caution at all times when operating equipment.

- Read and understand your tractor owner’s manual and towing safely rules. Know how to operate your tractor before using any attachment.
- Do not allow children to operate the towing vehicle. Do not allow adults to operate the vehicle without having read the owner’s manual or without having received proper instruction.
- Do not allow anyone to ride or sit on tow behind equipment during operation.
- Keep people and animals at a safe distance.
- Always wear substantial footwear. Do not wear loose fitting clothing that may get caught in moving parts.
- This unit may have sharp points. Handle with care.
- Keep your eyes and mind on your vehicle/attachment and area being covered. Do not let yourself be distracted.
- Stay alert for holes in the terrain and other hidden hazards.
- Tractor braking and stability may be affected with the attachment of this unit. Be aware of changing conditions on slopes. Refer to safety rules in your tractor owner’s manual concerning safe operation on slopes. **Stay Off Steep Slopes.**
- Always operate up and down a slope, never across the face of a slope.
- This equipment should be operated at reduced speed on rough terrain, along creeks, ditches and on hillsides to prevent tipping or loss of control.
- Always begin with the transmission in first (low) gear and engine at low speed, and gradually increase speed as conditions permit.
- Keep the tractor and attachment in good operating condition and keep safety devices in place.
- Keep all nuts, bolts and screws tight to be sure the equipment is in safe working condition.
- The tractor and attachment should be stopped and inspected for damage after striking a foreign object. Any damage should be repaired before restarting and operating the equipment.
- Follow the maintenance instructions as outlined in this owner’s manual.
- Do not tow at more than 3-4 miles per hours

Carton Contents

1. Base Assembly
2. Handle/Lever Assembly
3. Tow Bar Assembly



DT42GY

| Ref No. | Part No. | Qty. | Description |
|---------|----------|------|------------------------------------|
| 1 | 4250G | 1 | Top Plate |
| 2 | 4251G | 2 | End Plate |
| 3 | 4252G | 1 | Center Plate |
| 4 | 4255G | 1 | Axle Assembly |
| 5 | 4269G | 2 | Wheel Bracket |
| 6 | 4005 | 11 | Tine |
| 7 | 4261G | 1 | Tow Bar |
| 8 | 4265G | 1 | Clevis Bracket #1 |
| 9 | 4266G | 1 | Clevis Bracket #2 |
| 10 | 4262G | 1 | Handle |
| 11 | 3042 | 1 | Handle Grip |
| 12 | 4264G | 1 | Linkage Bar |
| 13 | 4263G | 1 | Lever Link |
| 14 | 3150 | 2 | 7" Wheel |
| 15 | 1264 | 2 | 3/4" Flat Washer |
| 16 | 1248 | 8 | 5/16" x 3/4" Hex Head Bolt |
| 17 | 4281 | 6 | 5/16" x 1-1/4" Hex Head Bolt |
| 18 | 2051 | 2 | 5/16" x 1-3/4" Hex Head Bolt |
| 19 | 1044 | 19 | 5/16" Flat Washer |
| 20 | 1276 | 25 | 5/16" Lock Washer |
| 21 | 1275 | 25 | 5/16" Hex Head Nut |
| 22 | 1749 | 4 | 5/16" Nylock Nut |
| 23 | 4278 | 1 | 1/2"(13) x 1-1/4" Hex Head Bolt |
| 24 | 4271 | 2 | 1/2"(13) x 3" Hex Head Bolt |
| 25 | 1506 | 5 | 1/2" Flat Washer |
| 26 | 3412 | 2 | 1/2" Hex Head Nut |
| 27 | 4327 | 7 | 1/2" Nylock Nut |
| 28 | 4272 | 1 | Compression Spring |
| 29 | 4289 | 1 | 1/2" x 3-1/2" Clevis Pin |
| 30 | 1042 | 1 | #14 Hitch Pin Clip |
| 31 | 3738 | 11 | 5/16" x 1" Hex Head Bolt |
| 32 | 3414 | 4 | 1/2" Lock Washer |
| 33 | 4328 | 11 | 1-1/4" OD x 5/16" ID Fender Washer |

Not all pieces shown.

Parts and Support

STOP Please do not return this product to the store prior to contacting Precision.

At Precision Products, Inc. our goal is to deliver quality, value and outstanding service. If for any reason our product does not meet your expectations please contact us and we will take care of any problem you may have with this unit.

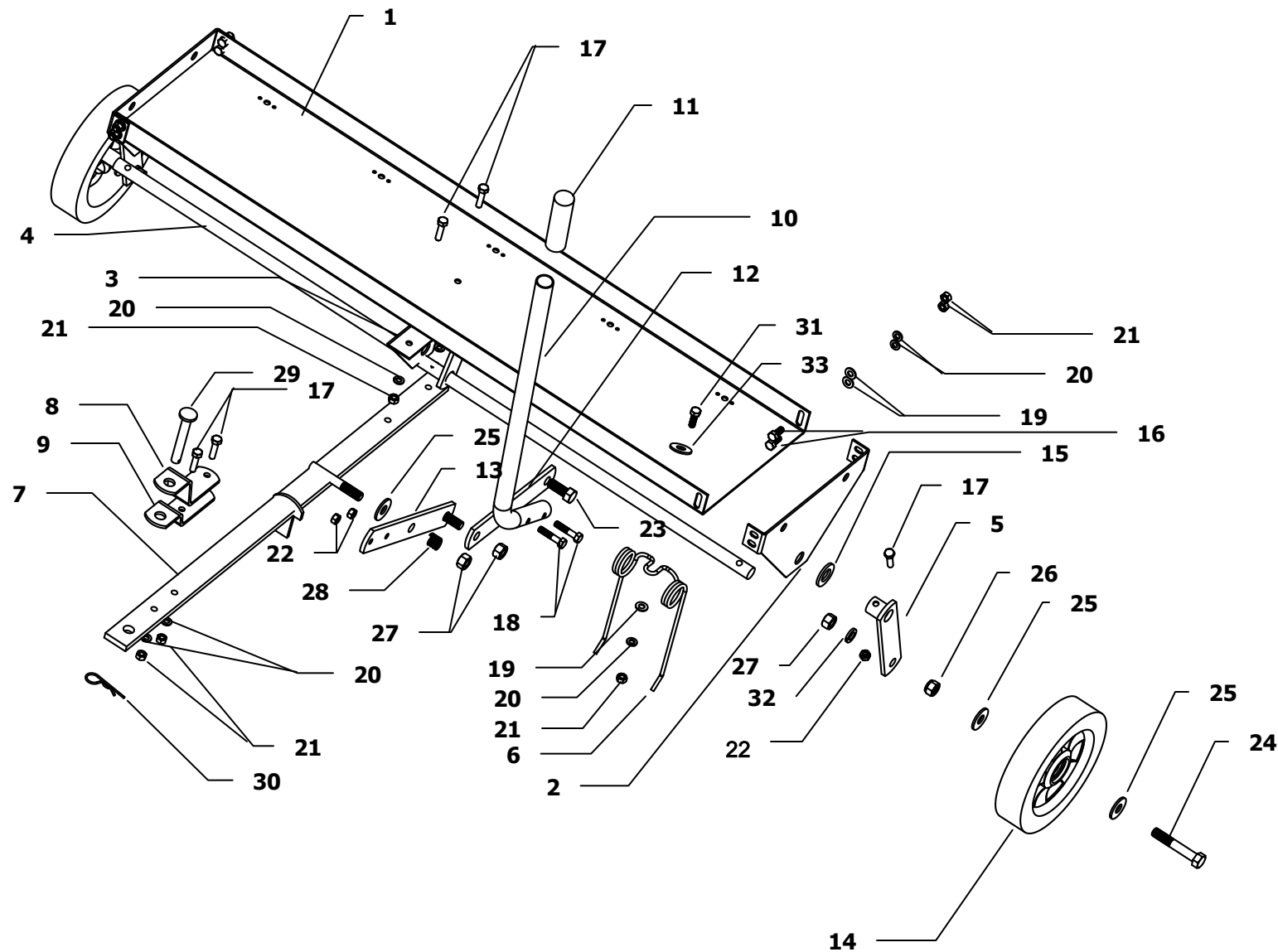
When ordering replacement parts please have the model number, part description, part number, inspector number and date available so that we can best serve you.

1 (800) 225-5891

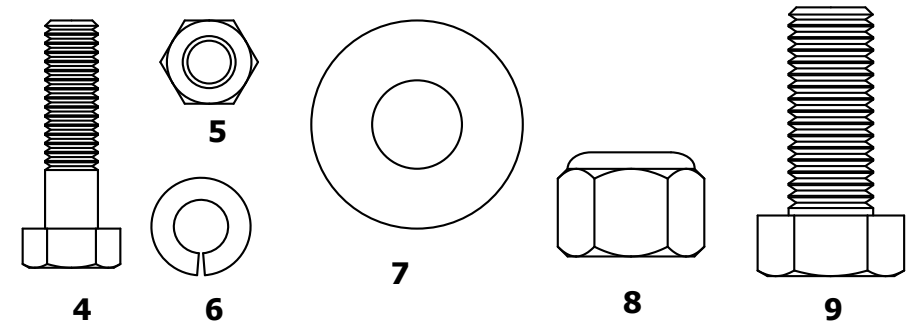
www.precisionprodinc.com

**Precision Products Inc.
316 Limit St.
Lincoln IL 62656**

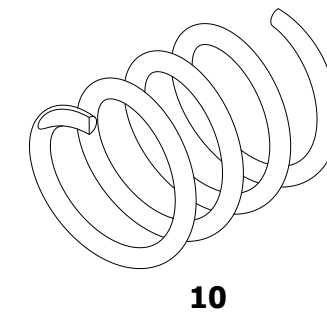
Parts Used During Assembly Parts are attached to unit prior to assembly.



Shown Full Size



Not Shown Full Size



| Ref. | Qty. | Description |
|------|------|------------------------------|
| 4 | 2* | 5/16" x 1-1/4" Hex Head Bolt |
| 5 | 2* | 5/16" Hex Head Nut |
| 6 | 2* | 5/16" Lock Washer |
| 7 | 1* | 1/2" Washer |
| 8 | 2* | 1/2" Nylon Lock Nut |
| 9 | 1 | 1/2" x 1-1/4" Hex Head Bolt |
| 10 | 1 | Compression Spring |

Having Problems?

Installation Questions?

Missing Parts?

Replacement Parts?

STOP *Don't go back to the store!*
Let us help you!

Please call our helpful Customer Service Department
Toll-Free at **(800) 225-5891** We will be happy to
assist you.

*Denotes quantity used in assembly.
This is NOT total number of pieces.
See page 7 for full listing.

Tools Required for Assembly

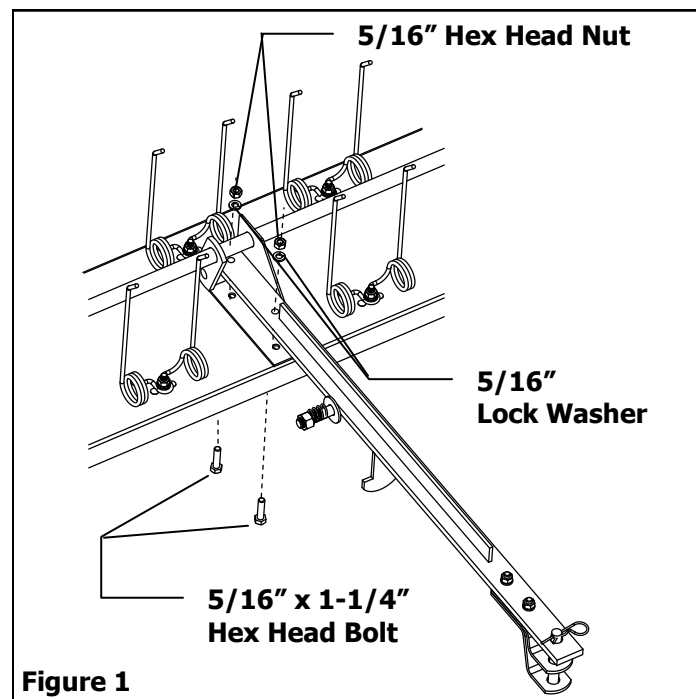
- (2) 1/2" Wrenches
- (2) 3/4" Wrenches

Remove from Carton

Remove all parts and hardware packages from the carton. Lay out all parts and hardware and identify them using the illustrations on pages 2 and 3.

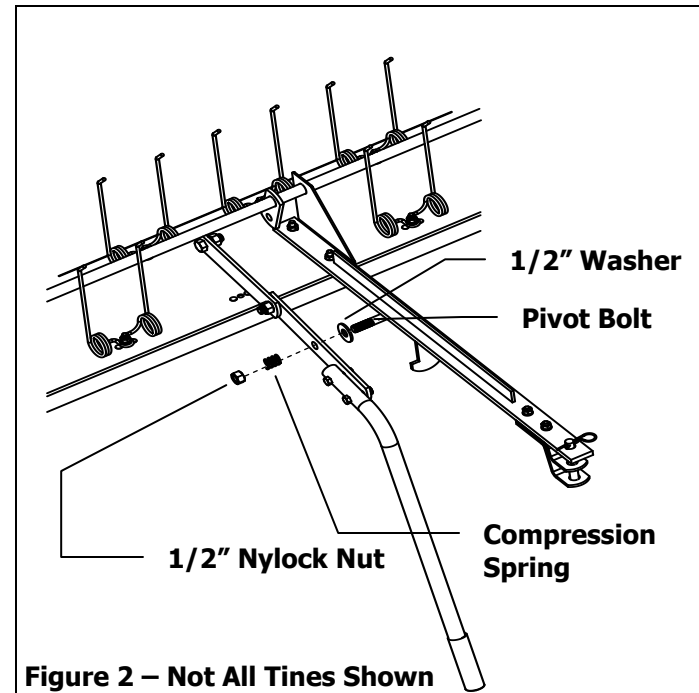
Assembly Instructions

1. Remove the 5/16" hex head nuts and 5/16" lock washers from the center plate on the base assembly. See figure 1.
2. Attach tow bar assembly to the base assembly using the 5/16" hex head nuts and 5/6" lock washers from step 1. See figure 1.



3. Remove the 1/2" nylock nut and compression spring from the pivot bolt on the tow bar assembly. Do not remove the 1/2" washer. See figure 2.
4. Slide the handle/lever assembly onto the pivot bolt. Slide the compression spring on to the pivot bolt and secure with the 1/2" nylock nut removed from step 3. **DO NOT** over tighten, handle/lever should pivot freely. See figure 2.

4



5. Remove 1/2" nylock nut and 1/2" x 1-1/4" hex head bolt from the end of the handle/lever assembly. See figure 3.
6. Attach the handle/lever assembly to the axle link using the 1/2" nylock nut and 1/2" x 1-1/4" hex head bolt removed in step 5. **DO NOT** over tighten, handle/lever should pivot freely. See figure 3.

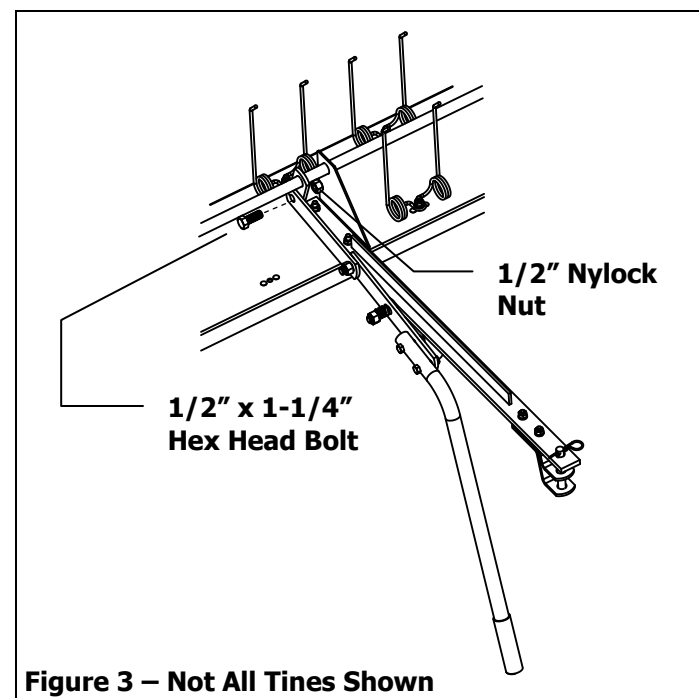


Figure 3 – Not All Tines Shown

7. Turn unit over carefully and inspect that all bolts are properly tightened.

Operation

Raising/Lowering the Dethatcher

1. Attach the dethatcher to your tractor on a level surface using the provided Clevis pin and hitch pin clip.
2. Once unit is on a grassy surface, you can lower the dethatcher for operation, by moving the handle to the side and push back to engage the tines.
3. When finished pull handle forward and lock to raise the unit and disengage the wheels.

Using the Dethatcher

Regular removal of thatch is a critical step for the maintenance of a healthy lawn. Thatch is a layer of stems, clippings, runners, roots, and leaves that have not decayed. Excessive thatch prevents air, water, and fertilizer from reaching the roots. The dethatcher will effectively dislodge excessive thatch from your lawn. Use your dethatcher in the mid-to-late Spring and/or early Fall.

1. Your grass should be less than 3" tall for proper tine action.
2. Start with the tractor in low gear. Vary the forward speed to determine the best speed for maximum performance.
3. When in use, all tines on the dethatcher should bend to the back and "flip" the thatch forward as it is pulled.
4. Use a crisscross pattern to achieve the most even removal of thatch.
5. On slopes, always operate in an up and down direction only.
6. Avoid extremely sharp turns.
7. Not for use with Zero Turn Radius Mowers.

Maintenance

1. Before each use check all nuts and bolts for tightness.
2. Clean after each use to prevent rust. The key to years of trouble-free service is to keep your dethatcher clean and dry.
3. If rust should develop, sand lightly and then paint area with enamel.
4. Periodically check all moving parts for free movement and if necessary, lubricate with oil.

Storage

1. Be careful to store your dethatcher with the tines pointed towards the floor or a wall. Tines are sharp and can cause considerable damage.
2. Always store in a dry area, and coat exposed metal with light oil when not in use.

5