

If there are any missing parts please call 1-800-652-2321.

4T Lawn Roller

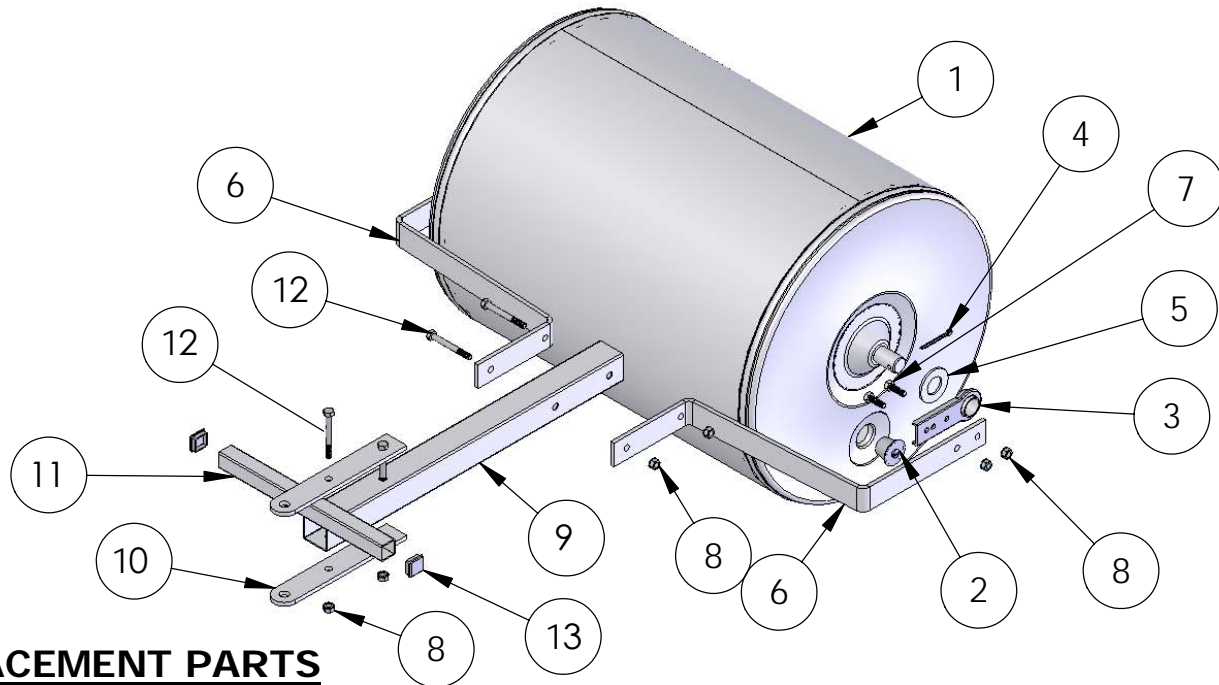
OPERATION

Though most rollers are filled with water, we recommend adding Ethylene Glycol Anti-Freeze with the water. This will protect the tank from damage during cold weather. It is also recommended that the anti-freeze used, contain a rust inhibitor to protect the inside of the tank against rust. If the roller is filled with water only, it must be drained whenever the temperature drops below 32 degrees F. (0 degrees C.).

The roller weighs approximately 250 pounds when filled.

ASSEMBLY INSTRUCTIONS

1. Attach hub (3) to each of the side bars (6) with two 5/16" bolts (7) and 5/16" nuts (8).
2. Slide these assemblies over the axle, add flat washer (5) and lock in place by inserting and spreading ends of the cotter pins (4).
3. Add hitch tube (12) to side bars using 5/16" bolts (14) and 5/16" nuts (8).
4. Add clevis bars (13) to hitch tube with 5/16" bolts (14) and 5/16" nuts (8).



REPLACEMENT PARTS

PART NO.	REF. NO.	AMT.	DESCRIPTION
504004	1	1	DRUM ASSEMBLY
50401	2	1	PLUG ASSEMBLY
6000570	3	2	HUB ASSEMBLY
300087	4	2	COTTER PIN
300076	5	2	1" AXLE WASHER
404373	6	2	SIDE BAR
300058	7	4	BOLT 5/16"-18 X 1" HEX BOLT
300057	8	8	NUT 5/16"-18 KEPS
404382	9	1	HITCH TUBE
404391	10	2	CLEVIS BAR
404401	11	1	HANDLE
300057	12	4	BOLT 5/16"-18 X 2 3/4" HEX BOLT
6000597	13	2	BLACK SQUARE POLY PLUG