

M-150S, M-180S and M-240S Fuel Pump

Owner's Manual

STOP

**DO NOT RETURN
THIS PRODUCT
TO THE STORE!**

Please contact GPI before returning any product. If you are missing parts or experience problems with your installation, our Customer Support Department will be happy to assist you.

**GPI Customer Support
800-835-0113 or
316-686-7361**

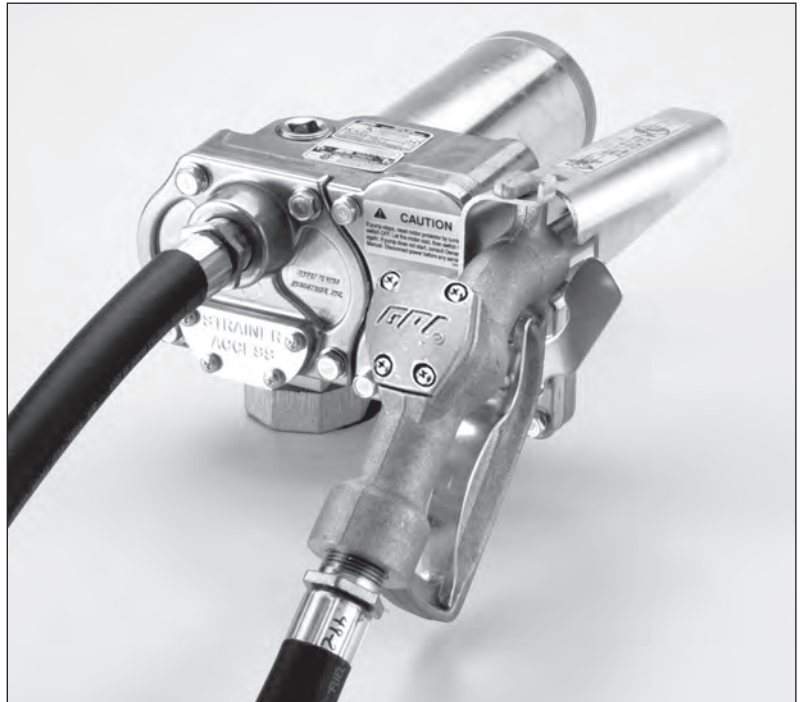


TABLE OF CONTENTS

General Information.....	2
Safety Instructions.....	2
Installation	2
Operation.....	4
Maintenance.....	4
Repair	4
Troubleshooting.....	8
Specifications.....	9
Illustrated Parts List.....	10
Parts and Service	11

To the owner...

Congratulations on receiving your GPI fuel pump. We are pleased to provide you with a system designed to give you maximum reliability and efficiency.

Your fuel pump is designed, tested, and approved for use with gasoline blends, diesel fuel blends and kerosene. Please take all due precautions when handling these flammable liquids. Your safety is important to us.

Also, to assure the longest possible service life, it is important that you follow the operation and maintenance procedures outlined in this manual. We are proud to provide you with a quality product and dedicated support. Together with your conscientious use, we are sure that you will obtain years of safe, dependable service.



Great Plains Industries, Inc. is a member of the Petroleum Equipment Institute.

President
Great Plains Industries, Inc.

GENERAL INFORMATION

The purpose of this manual is to assist you in installing, operating and maintaining your GPI pump. This manual covers 12- and 24-volt DC electric gear pump models M-150S, M-180S and M-240S.

Models M-150S and M-180S should be connected to a 12-volt DC power source.

Model M-240S should be connected to a 24-volt power source only.

Do not attempt connection of any pump to a 115-volt AC or 230-volt AC power source.



An automatic bypass valve prevents pressure build up when the pump is on with the nozzle closed. To avoid damage, do not run the pump more than 10 minutes with the nozzle closed.

The duty cycle of this pump is 30 minutes ON and 30 minutes OFF. Allow the pump to cool for 30 minutes.

This pump is designed for use **only** with gasoline (up to 15% alcohol blends such as E15), diesel fuel (up to 20% biodiesel blends such as B20) and kerosene. **Do not** use this pump for dispensing any fluids other than those for which it was designed. To do so may damage pump components and will void the warranty.

This pump is designed to operate on a typical DC automotive electrical system. The pump is designed to operate with the appropriate DC voltage at the motor leads and the ratings are determined at this voltage. Performance may vary due to length of power cord, battery condition or output from the vehicle charging system that will affect system voltage.

Do not leave the system running with fluids. "Dry running" can damage the pump.

Do not pump the tank completely dry, as contaminants from the bottom of the tank may enter the pump.

SAFETY INSTRUCTIONS



The following safety alert symbols are used in this manual.

DANGER

DANGER indicates a hazardous situation which, if not avoided, will result in death or serious injury.

WARNING

WARNING indicates a hazardous situation which, if not avoided, could result in death or serious injury.

CAUTION

CAUTION indicates a hazardous situation which, if not avoided, may result in minor or moderate injury.

It is your responsibility to:

- know and follow applicable national, state, and local safety codes pertaining to installing and operating electrical equipment for use with flammable liquids.
- know and follow all safety precautions when handling petroleum fuels.
- insure that all equipment operators have access to adequate instructions concerning safe operating and maintenance procedures.

Observe all safety precautions concerning safe handling of petroleum fuels.

To ensure safe operation, all fuel transfer systems must be properly grounded. Proper grounding means a continuous metal-to-metal contact from one component to the next, including tank, bung, pump, meter, filter, hose and nozzle. Care should be taken to ensure proper grounding during initial installation and after any service or repair procedures. For your safety, please take a moment to review the warnings below.

To prevent physical injury, observe precautions against fire or explosion when dispensing fuel. Do not operate the system in the presence of any source of ignition including running or hot engines, lighted cigarettes, or gas or electric heaters.

Observe precautions against electrical shock when operating the system. Serious or fatal shock can result from operating electrical equipment in damp or wet locations.

Inspect external pump wiring regularly to make sure it is correctly attached to the battery. To avoid electrical shock, use extra care when connecting the pump to power.

Avoid prolonged skin contact with petroleum fuels. Use protective goggles, gloves and aprons in case of splashing or spills. Change saturated clothing and wash skin promptly with soap and water.

Observe precautions against electrical shock when servicing the pump. **Always** disconnect power before repairing or servicing. **Never** apply electrical power to the system when any of the coverplates are removed.

If using solvent to clean pump components or tank, observe the solvent manufacturer's recommendations for safe use and disposal.

INSTALLATION

This pump is designed to self-prime with dry gears. Expect suction lift as follows:

Manual Nozzle:	5.5 feet (1.7 m) with diesel 6.7 feet (2.1 m) with gasoline
Automatic Nozzle:	4.8 feet (1.5 m) with diesel 5.8 feet (1.8 m) with gasoline

If you require a greater initial prime height, coat the gears with fluid by removing the plug on the top of the pump and pour a small quantity of motor oil into the gear cavity. Replace the plug and try again. A foot valve with pressure relief may be needed to maintain prime.

Make sure all threaded fuel connections are wrapped with three to four turns of thread tape or a pipe thread sealant approved for use with petroleum fuels.

Install Bung Adapter and Suction Pipe

- Tighten the bung adapter snugly into the fuel tank.
- Place the union ring gasket into the inlet fitting on the bottom of the pump.
- Thread the suction pipe into the inlet fitting and tighten until snug.

Install Pump on Tank

- Clean the tank interior of all dirt and foreign material.
- Extend the suction pipe to its full length and insert into the tank opening. (Figure 1)

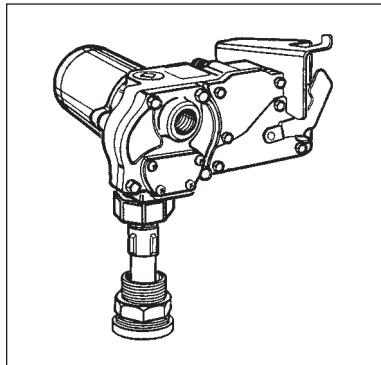


Figure 1

The suction pipe will adjust to the length needed to rest on the tank bottom.

- Place the pump on the bung adapter and tighten the union ring securely with a pipe wrench. Make sure the union ring is not cross-threaded.
- To prevent pressure buildup and possible fuel leaks through the nozzle, make sure the tank is vented. A vent cap rated at 3 psi or less is recommended.

Install Electrical Connections

A grounding connection is provided. It is identified as a green colored binding head screw in the electrical cavity.

Models M-150S and M-180S should be connected to a 12-volt DC power source.

Model M-240S should be connected to a 24-volt DC power source.

Do not attempt connection of any pump to a 115-volt AC or 230-volt AC power source.

For installation in unclassified areas, the supplied power cord, fuse and strain relief grip may be used.

NOTE: These components have not been evaluated as part of the UL Listed Equipment and are not intended for use in a Hazardous (Classified) Location.

To install the power cord, remove the electrical coverplate. (Figure 2)

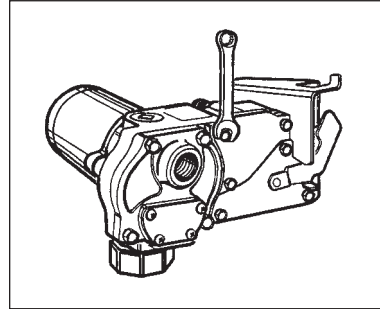


Figure 2

If necessary, trim the power cord to the desired length. Strip 3 to 4 inches (7.5 to 10 cm) of outer insulation from the power cord end. Then strip 1/2 inch (1.3 cm) of insulation from the power cord wires.

Slide the strain relief grip onto the power cord so that the threaded end of the strain relief grip faces the stripped power wires. (Figure 3)

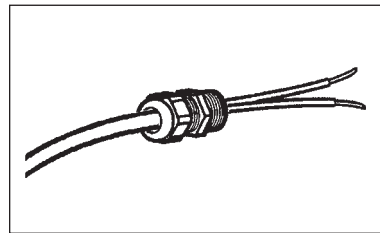


Figure 3

Insert the power cord through the 1/2 inch NPT connection on the back of the pump. (Figure 4) Using wire nuts, connect the black wire to the black wire and the red wire to the red in the pump's electrical cavity. Position the wires inside the electrical cavity and tighten the strain relief grip securely. Make sure surfaces are clean. Install the coverplate and tighten securely.

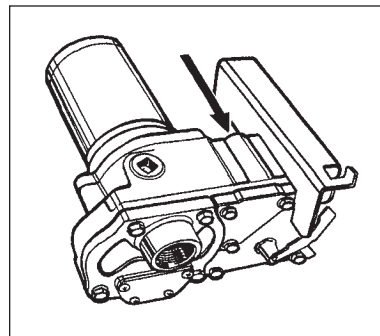


Figure 4

⚠ WARNING

Carefully route the power cord to the battery, protecting the power cord from hot surfaces, sharp edges or anything that could damage the power cord, resulting in a short circuit.

A fuse is provided to protect the power cord and motor. Install fuse in the red wire of the power cord as close as possible to the battery. Connect the red wire of the fuse to the positive (ungrounded) side of battery. Connect black wire to the negative (grounded) side of the battery.

Failure to follow these instructions could result in death, serious injury or loss of equipment due to short circuit, fire or explosion.

⚠ DANGER

If the pump is to be installed in a Hazardous (Classified) location, it must be installed by a licensed electrician and conform to National Fire Protection Association (NFPA) codes 30 and 70. You as the owner, are responsible for seeing that the installation and operation of your pump complies with NFPA codes as well as any applicable state and local codes. Rigid conduit must be used to install wiring. Note that the lead wires are factory-sealed isolating the motor from the junction box.

Failure to follow these wiring instructions may result in death or serious injury from shock, fire or explosion.

Install Hose and Nozzle

After sealing the threads, tighten the hose into the pump outlet and the nozzle on the hose. The nozzle can be placed in the nozzle holder only when the pump is off.

The nozzle holder allows the pump to be locked when the nozzleed is in place.

OPERATION

ALWAYS FOLLOW SAFETY PRECAUTIONS WHEN OPERATING THIS EQUIPMENT. REVIEW THE SAFETY INSTRUCTIONS. Before each use, repair leaks around seals or connections. Make sure hoses are in good condition and connections are tight. Make sure the work area is dry. **MAKE SURE THE PUMP IS PROPERLY GROUNDED.** Repair any corroded or damaged wiring before use. Ensure the tank contains enough fuel. Make sure the fuel is not contaminated with debris.

Dispense Fuel

Turn the pump on by removing the nozzle from its holder and pushing up the switch lever. Insert the nozzle into the receiving tank and squeeze the handle to start fuel flow. When done, release the nozzle handle, turn the pump off, and return the nozzle to its holder.

This pump is designed to be self-priming. If fuel is not delivered within 15 to 20 seconds, turn the pump off and refer to the priming information in the Troubleshooting Section.

An automatic bypass valve prevents pressure buildup when the pump is on with the nozzle closed. To avoid pump damage, do not run the pump for more than 10 minutes with the nozzle closed.

Motor Protector (Models M-150S and M-180S only)

The pump contains a motor protector that provides added protection against motor damage. It must be reset manually.

If the motor protector trips, reset by turning the switch OFF. Let the pump cool then turn ON again. If the motor protector trips again, see the Troubleshooting Section of this manual.

Motor Protector (Model M-240S)

An inline fuse provides motor protection on the 24-volt models. Follow the instructions in the Repair Section to replace the fuse.

MAINTENANCE

This pump is designed for minimum maintenance. Motor bearings are sealed and require no lubrication. Inspect the pump and components regularly for fuel leaks and make sure the hose and power cord are in good condition. Keep the pump exterior clean to help identify leaks.

Do not use this pump for water, chemicals, or herbicides. Dispensing any fluid other than those listed in this manual will damage the pump. Use of the pump with unauthorized fluids will void the warranty.

To Clean or Replace Strainer

Turn the pump off and disconnect from power. Remove the strainer coverplate. (Figure 5) Remove the inlet strainer and inspect for damage or clogs. Clean the strainer with a soft-bristled brush and solvent. If the strainer is very dirty, compressed air may be used. If damaged, replace the strainer.

Place the strainer in the cavity. Clean the coverplate and O-ring. Coat the O-ring lightly with grease. Ensure the coverplate O-ring is properly seated and tighten the strainer coverplate.

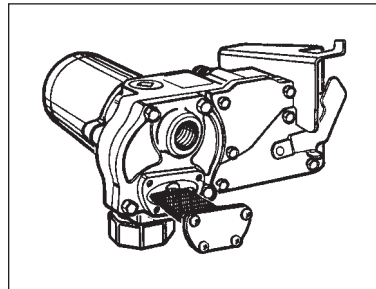


Figure 5

REPAIR

Carefully inspect all parts for wear or damage. Replace components, as necessary. The Illustrated Parts List gives information on replacement parts and kits.

Review the Safety Instructions before proceeding.

⚠ WARNING

Observe precautions against electrical shock when servicing the pump. **Always** disconnect power before repairing or servicing. **Never** apply electrical power to the system when any of the coverplates are removed.

⚠ WARNING

Avoid prolonged skin contact with petroleum fuels. Use protective goggles, gloves and aprons in case of splashing or spills. Change saturated clothing and wash skin promptly with soap and water.

Remove Pump from Tank

- Turn the pump OFF and disconnect from power.
- Turn the union ring counterclockwise to release the inlet fitting.
- Lift the pump and suction pipe straight up from the bung adapter.
- Elevate the nozzle and hose to allow excess fuel to drain into the tank.
- Wipe the entire system with a clean cloth.

Service O-Rings

A Wet Seal Kit contains all seals for your pump and should be on hand when performing repairs. Old seals may then be replaced with new seals.

In general, when inspecting O-rings, look for breaks, wear, and signs of deterioration, such as swelling. Replace, as necessary. Before seating, coat O-rings with light grease.

Replace Gears and Drive Key

- Turn the pump OFF and disconnect from power.
- Remove the gear coverplate. (Figure 6)

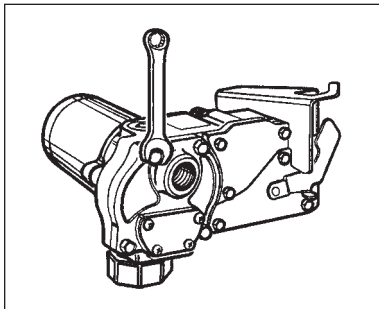


Figure 6

- Lift the drive key and gears from the pump. (Figure 7)

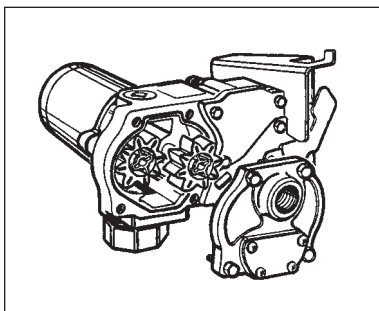


Figure 7

- Inspect the gears and key for wear and damage. Replace, as necessary.

- Wipe the gear cavity with a clean cloth.
- Replace the gears. Make sure they turn freely.
- Replace the drive key.
- Make sure the gear coverplate O-ring is securely in place. Tighten the coverplate to the housing.

Clean or Replace Bypass Poppet

- Turn the pump OFF and disconnect from power.
- Using a drive ratchet or extension, remove the pipe plug from the top outlet port. (Figure 8)

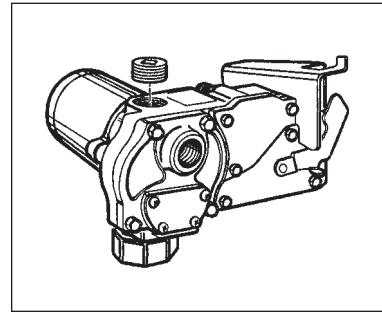


Figure 8

- Remove the gear coverplate and O-ring from the pump housing.
- Lift the drive key and two gears from the pump.
- To clean the bypass poppet:
 - a. With a clean cloth, wipe the poppet cavity through the top outlet port.
 - b. Push down on the poppet until the poppet O-ring is exposed inside the housing. (Figure 9)

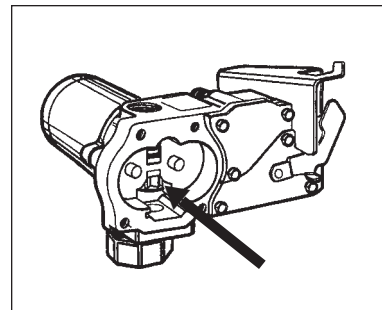


Figure 9

- c. Using a clean cloth, rotate the poppet and clean it thoroughly.
- To remove or replace the bypass poppet:
 - a. As above, push down on the poppet until the O-ring is exposed.
 - b. Remove the O-ring with a small screwdriver or similar tool. Take care not to damage the poppet or O-ring. (Figure 10)

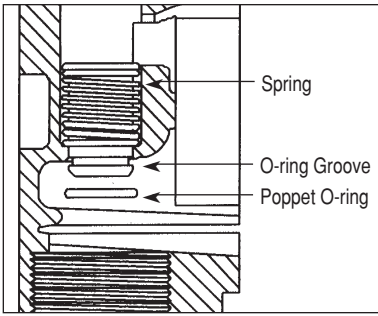


Figure 10

c. From inside the housing, use a small screwdriver to push the poppet and spring through the top outlet port. (Figure 11)

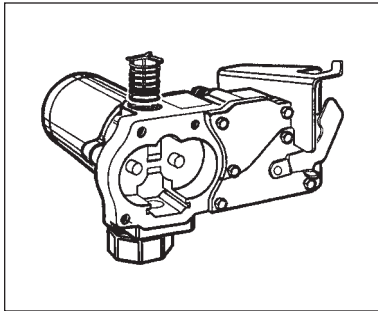


Figure 11

d. Wipe the poppet and gear cavities with a clean cloth.
e. Replace the poppet, O-ring, and spring, as necessary.

NOTE: Replace O-ring if damaged, swollen, or loose-fitting.

- To assemble, place the spring and poppet into the poppet cavity through the top outlet port. Compress the poppet into the housing until the poppet appears in the lower chamber. (see Figure 10) Coat the O-ring lightly with grease and slip over the poppet head. Make sure the O-ring is well-seated.
- Push on the poppet through the top outlet port to make sure it moves freely.
- Install the pipe plug again.
- Replace the gears and drive key. Make sure gears turn freely with the key removed.
- Make sure the gear coverplate O-ring is in place. Tighten the coverplate to the pump housing.

Replace Power Switch

- Turn the pump OFF and disconnect from power.
- Remove the switch coverplate from the pump housing. (Figure 12)

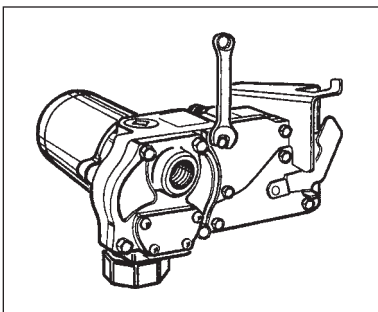


Figure 12

- Remove the torx head screw, then remove the switch assembly. (Figure 13)

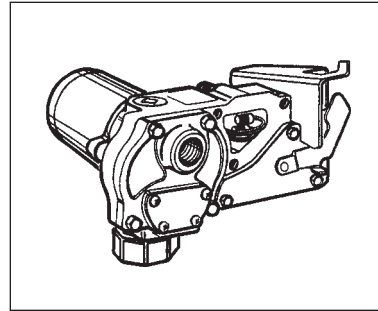


Figure 13

- Models M-150S and M-180S: Remove one pump wire from the back of the switch and one wire from the circuit protector.
- Model M-240S only: Remove both pump wires from the back of the switch.
- Install a new switch by reversing the above procedure. Insert the switch assembly into the pump cavity. Place the red wire between the circuit breaker and the wall of the pump. Make sure the O-ring is seated properly before tightening the switch coverplate.

NOTE: For the proper operation of the switch lever and cam, attach the mounting plate to the switch with a clearance of 0.175 or about 3/16 inch. (Figure 14)

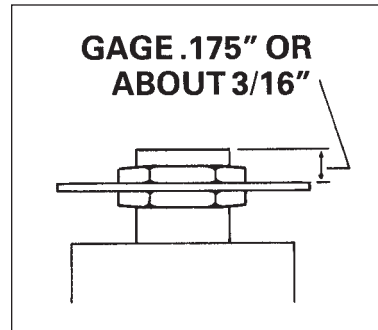


Figure 14

Replace Motor Protector

NOTE: The pump can remain on the tank during motor protector replacement.

- Turn off the pump and disconnect from power.
- Remove the switch coverplate from the pump housing. (Figure 15)

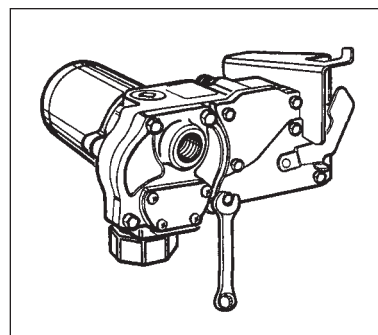


Figure 15

- Remove switch bracket mounting screw and gently pull switch from switch cavity. (Figure 16)

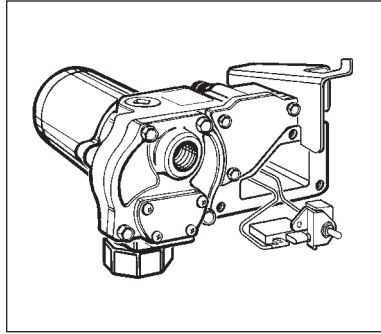


Figure 16

NOTE: Switch shown is for models M-150S and M-180S. Model M-240S switch does not require a jumper wire and circuit breaker.

- Remove the red wires from the terminals on the back of the switch.
- Remove the remaining wire on motor protector then remove the motor protector from switch cavity.
- Install new motor protector by reversing above procedure.

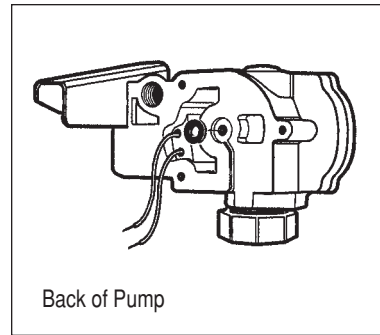
NOTE: Make sure the O-ring is seated properly before tightening the switch coverplate.

Replace Switch Lever or Switch Lever Shaft O-Ring

- Turn off the pump and disconnect from power.
- Remove the switch coverplate from the pump housing.
- Remove the screw connecting the switch cam to the coverplate.
- Remove the cam and switch lever.
- Replace the switch lever or switch lever shaft O-ring as needed.
- Reassemble by reversing the above procedure. Make sure the O-ring is seated properly before tightening the coverplate.

Replace Motor Shaft Seal

- Turn the pump OFF and disconnect from power.
- Remove the gear coverplate, gears, and drive key as described in Gear Replacement instructions.
- Remove the motor from the pump housing.
- Remove the motor shaft seal by prying out with a small screwdriver. (Figure 17)



Back of Pump

Figure 17

- Lubricate the gear shaft with WD-40 or a similar penetrating oil.
- Press a new motor shaft seal evenly in the pump housing until seated. Lubricate the seal with a lightweight motor oil.
- Gently slide the shaft through the seal until the motor is flush against the pump housing.
- Tighten the motor to the pump housing. Check for proper installation by working a .0015 feeler gauge around the motor flange. The gauge should not fit between the flange and the housing.
- Install the gears and drive key as described in Gear Replacement instructions.

Replace Motor

In order to preserve the UL Listing or CSA Certification for pump safety, return the entire pump to the factory for motor repair or replacement. For products serviced outside the factory, the UL and CSA nameplates must be defaced to indicate the equipment may no longer meet the requirements for UL Listing or CSA Certification. This does not apply to products serviced outside the factory under the UL program for Rebuilt Motors for Use in Hazardous Locations and the CSA rebuild program.

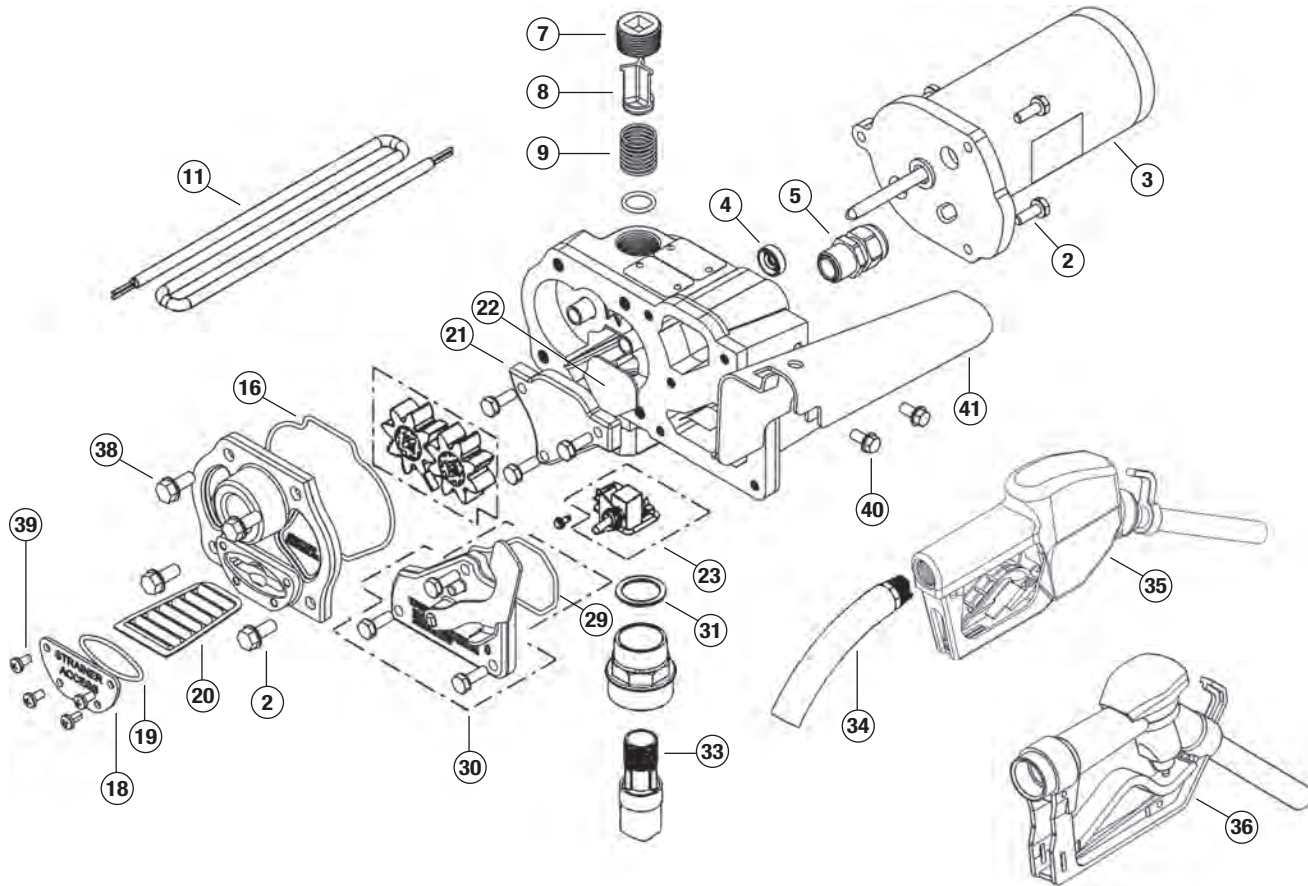
TROUBLESHOOTING

SYMPTOM	PROBABLE CAUSE	CORRECTIVE ACTION
A. MOTOR DOES NOT RUN	<ol style="list-style-type: none"> 1. Fuse blown 2. Switch defective 3. Motor burned out 4. Switch or electrical connections faulty (Model M-150S and Model M-180S) 5. Circuit breaker tripped 	<p>Inspect fuse in fuse holder on power cord. If blown, replace.</p> <p>Remove switch coverplate and inspect switch. Replace, if necessary.</p> <p>Replace motor as described in the Repair Section.</p> <p>Inspect for damaged motor protector, defective wiring or switch, or improper electrical connections. Replace as needed and re-install.</p> <p>Turn power off at source. Inspect the pump thoroughly; clean or repair. Reset circuit breaker by turning the power switch off then back on.</p>
B. MOTOR RUNS BUT DOES NOT PUMP	<ol style="list-style-type: none"> 1. Suction pipe clogged, damaged, or missing 2. Gear coverplate or O-ring damaged 3. Strainer clogged or defective 4. Bypass poppet O-ring worn or missing 5. Bypass poppet O-ring dirty 6. Bypass poppet binding or damaged 7. System air leak 8. System air lock 9. Poor connections or low voltage 10. Fuel level low 11. Motor running backwards due to incorrect polarity 	<p>Remove pump from tank. Inspect suction pipe. Clean or replace, as necessary.</p> <p>Remove and inspect the coverplate and O-ring. Replace, as necessary. Refer to the Repair Section on Servicing O-rings.</p> <p>Remove strainer coverplate. Remove and clean strainer. Install again.</p> <p>Inspect O-ring using instructions in the Repair Section. Replace, if necessary.</p> <p>Remove poppet assembly and clean poppet and cavity.</p> <p>Using instructions in the Repair Section, remove the bypass poppet, spring, and O-ring. Clean cavity. Inspect and replace components, as necessary.</p> <p>Tighten all pump fittings and connections. Inspect suction pipe for leaks or damage.</p> <p>This can occur if external filter, meters, or an off-the-shelf automatic nozzle is used. To correct, remove the pipe plug in the top outlet port and fill the gear cavity with fuel. Use of a factory-supplied automatic nozzle is recommended.</p> <p>Make sure electrical connections are secure. Also check battery voltage.</p> <p>Fill tank.</p> <p>Connect red wire to positive (+) ungrounded side of battery. Gear with key should turn counterclockwise.</p>
C. LOW FLOWRATE	<ol style="list-style-type: none"> 1. Poor connections or low voltage 2. Strainer partially clogged 3. Suction pipe clogged or damaged 4. Fuel tank empty 5. Using off-the-shelf automatic nozzle 6. System air leak 7. Bypass poppet spring weak 	<p>Make sure electrical connections are secure. Also check battery voltage</p> <p>Remove the strainer coverplate. Remove and clean the strainer. Install again.</p> <p>Remove pump from tank. Inspect suction pipe. Clean or replace, as necessary.</p> <p>Fill tank.</p> <p>Factory-supplied automatic nozzle is recommended.</p> <p>Tighten all pump fittings and connections. Inspect suction pipe for leaks or damage. Replace, as necessary.</p> <p>Using instructions in the Repair Section, remove the bypass poppet and inspect spring. Replace, if necessary.</p>
D. MOTOR STALLS WHEN OPERATING IN BYPASS MODE	<ol style="list-style-type: none"> 1. Motor protector activated 2. Gears locked 3. Wiring defective 4. Bypass poppet binding or damaged 5. Motor defective 	<p>Turn off switch. Allow motor to cool, then turn on switch.</p> <p>Remove gear coverplate and inspect gears and drive key. Make sure gears turn freely with the key removed. Replace, if worn.</p> <p>Use Wiring instructions in the Installation Section to ensure proper connections.</p> <p>Using instructions in the Repair Section, remove the bypass poppet, spring, and O-ring. Clean cavity. Inspect components and replace, as necessary.</p> <p>Replace motor as described in the Repair Section.</p>
E. SWITCH FAILS TO OPERATE MOTOR	<ol style="list-style-type: none"> 1. Switch or electrical connections faulty (Model M-240S) 2. Motor burned out 3. Motor protector activated 4. Switch or electrical connections faulty (Models M-150S and M-180S) 	<p>Inspect for a blown fuse, defective wiring or switch, or improper electrical connections. Replace or install again, as necessary. Refer to Switch Replacement instructions in the Repair Section.</p> <p>Replace motor as described in the Repair Section.</p> <p>Turn off switch. Allow motor to cool, then turn on switch.</p> <p>Inspect for damaged motor protector, blown fuse, defective wiring or switch, or improper electrical connections. Replace as needed and re-install.</p>
F. RAPID OVERHEATING OF MOTOR	<ol style="list-style-type: none"> 1. Duty cycle too long 2. Strainer clogged 3. Suction pipe clogged or damaged 4. Gears worn 5. Fuel level low 6. Running too long in bypass mode 	<p>Pump operation should not exceed the standard duty cycle of 30 minutes ON, and 30 minutes OFF. Allow the pump to cool for 30 minutes.</p> <p>Remove strainer coverplate. Remove and clean strainer. Install again.</p> <p>Remove pump from tank. Inspect suction pipe. Clean or replace, as necessary.</p> <p>Remove gear coverplate and inspect gears and drive key. Make sure gears turn freely with key removed. Replace, if necessary.</p> <p>Fill tank.</p> <p>Limit bypass operation to 10 minutes.</p>

SPECIFICATIONS

	M-150S	M-180S	M-240S
Application	Designed to safely transfer low viscosity petroleum fuels such as gasoline (up to 15% alcohol blends such as E15), diesel fuel (up to 20% biodiesel blends such as B20) and kerosene. Pump is designed for permanent mounting on vented storage tanks.		
Pump Housing	Lightweight, corrosion-resistant, cast aluminum body, convenient union ring for easy installation.		
Performance:			
Pump Rate	Up to 15 GPM (57 LPM)	Up to 18 GPM (68 LPM)	Up to 15 GPM (57 LPM)
Duty Cycle	30 min. ON, 30 min. OFF	30 min. ON, 30 min. OFF	30 min. ON, 30 min. OFF
Suction Lift: Manual Nozzle	Up to 5.5 feet (1.7 meters)	Up to 5.5 feet (1.7 meters)	Up to 5.5 feet (1.7 meters)
Automatic Nozzle	Up to 4.8 feet (1.5 meters)	Up to 4.8 feet (1.5 meters)	Up to 4.8 feet (1.5 meters)
Operating Temperature	-20°F to 125°F (-29°C to 52°C)		
Operating Pressure	15 PSI		
Electrical Specifications:			
Input	12-volt DC	12-volt DC	24-volt DC
Current Draw	18 amps	20 amps	9 amps
Motor	1900 RPM, 1/5 hp (150 watts)	2000 RPM, 1/4 hp (187 watts)	1900 RPM, 1/5 hp (150 watts)
Motor Approval	UL Listed, CSA Certified	UL Listed, CSA Certified	UL Listed, CSA Certified
Motor Protection	20 amp circuit breaker	25 amp circuit breaker	15 amp fuse
Cord	18 feet of 12 gauge (5.5 meters)	18 feet of 12 gauge (5.5 meters)	18 feet of 12 gauge (5.5 meters)
Fuse	25 amp	30 amp	15 amp
Mechanical Connection:			
Bung	2 inch NPT	2 inch NPT	2 inch NPT
Inlet	1 inch NPT	1 inch NPT	1 inch NPT
Outlet	3/4 inch NPT	1 inch NPT	3/4 inch NPT
Accessories:			
Hose Type	Buna-N Electrically Conductive Discharge Hose	Buna-N Electrically Conductive Discharge Hose	Buna-N Electrically Conductive Discharge Hose
Hose Size	3/4 in. x 12 ft. (3.7 m)	1 in. x 12 ft. (3.7 m)	3/4 in. x 12 ft. (3.7 m)
Manual Nozzle	3/4 inch Unleaded	1 inch Leaded	3/4 inch Unleaded
Automatic Nozzle	3/4 inch Unleaded	3/4 inch Unleaded	N/A
Weight:			
Manual Nozzle	23 lbs. (10.5 kg)	26.5 lbs. (12.0 kg)	23 lbs. (10.5 kg)
Automatic Nozzle	24 lbs. (10.8 kg)	27 lbs. (12.2 kg)	N/A

ILLUSTRATED PARTS LIST



Item No.	Part No.	Description	No. Req'd.
2	904002-23	Sems Screw, 1/4-20 x 3/4 in.....	9
3	119000-1	Motor, 12-volt (UL) (M-150S)	1
	119001-1	Motor, 12-volt (UL) (M-180S)	1
	119000-2	Motor, 24-volt (UL) (M-240S)	1
4	11002502	Seal, Motor Shaft	1
5	904002-17	Strain Relief Sealing Grip (12-volt & 24-volt) ...	1
7	904001-42	Pipe Plug, 3/4 inch.....	1
8	110010-1	Bypass Poppet	1
9	110131-2	Spring, Bypass Poppet (M-150S, M-240S)	1
	110011-2	Spring, Bypass Poppet (M-180S)	1
11	110265-02	Power Cord, 12 ga. x 18 ft. (5.5 m).....	1
16	110026-1	Gear Coverplate O-Ring	1
18	110024-1	Coverplate, Strainer	1
19	110026-4	Strainer Coverplate O-Ring.....	1
20	110009-1	Inlet Strainer.....	1
21	110195-02	Coverplate, Electrical	1
22	110285-01	Electrical Coverplate Gasket.....	1
23	110277-05	M-150 Switch Assembly	1
	110277-06	M-240S Switch Assembly.....	1
	110277-07	M-180S Switch Assembly.....	1
29	110026-6	Switch Coverplate O-Ring	1
30	110276-01	Switch Coverplate Assembly	1
31	110032-1	Gasket, Union Ring	1
33	110100-1	Suction Pipe Assembly	1
34	110187-1	Hose, 3/4 in. x 12 ft., (3.7 m).....	1
	110188-1	Hose, 1 in. x 12 ft., (3.7 m) (M-180S only).....	1
35	110121-8	Nozzle, Automatic 3/4 in., Unleaded (UL).....	1
	110120-1	Hook for Automatic Nozzle.....	1
	904001-88	Set Screw for Nozzle Hook.....	1
36	110155-1	Nozzle, Manual 3/4 in., Unleaded.....	1
	110155-3	Nozzle, Manual 1 in., Leaded.....	1
38	904002-24	Sems Screw.....	4
39	904002-22	Sems Screw.....	4
40	904006-86	Tapping Screw	2
41	110360-01	Nozzle Cover.....	1

Items Not Shown

110016-1	Inlet Fitting
110122-1	Reducer (M-180S only)
110158-1	Union Ring
110191-1	Jumper Wire
110500-01	15-amp Fuse Kit (M-240S)
110500-02	25-amp Fuse Kit (M-150S)
110500-03	30-amp Fuse Kit (M-180S)
110504-1	Fuel Pump Overhaul Kit - Includes 2 Gears, Drive Key & O-Rings
110524-1	Armature Assembly Kit (M-150S)
110524-2	Armature Assembly Kit (M-240S)
110525-1	Brush Card Assembly Kit - Includes Brush Holder Assembly
110526-1	Motor Housing Kit - Includes Motor Housing Assembly
110527-1	Battery Clamp Kit - Includes 2 Battery Clamps
110530-01	Nozzle Spout
110906-1	Wet Seal Kit - Includes O-Rings & Motor Shaft Seal
110907-1	Gear Kit - Includes 2 Gears & Drive Key
110908-1	Poppet Seal Kit - Includes Poppet O-Ring
110909-1	Bung Adapter Kit
110910-02	Switch Kit - Includes Switch
110913-2	Spare Key Kit - Includes Spare Drive Key
110927-04	Gear Coverplate Kit (M-150S, M-240S)
110927-05	Gear Coverplate Kit (M-180S)
111501-1	Adapter Kit
115527-2	Suction Pipe Extension, 15 inch
902006-31	M-150S Motor Protector Only
902006-38	M-180S Motor Protector Only
906001-4	Pre-Vent Vapor Control Cap (3 psi)

PARTS AND SERVICE

In order to preserve the UL Listing for the motor, do not attempt to service the motor. For products serviced outside the factory, the UL nameplate must be defaced to indicate that the equipment may no longer meet the requirements for UL Listing. This does not apply to products serviced outside the factory under the UL program for Rebuilt Motors for Use in Hazardous Locations.

For warranty consideration, parts, or other service information, please contact your local distributor. If you need further assistance, contact the GPI Customer Service Department in Wichita, Kansas, during normal business hours.

A toll free number is provided for your convenience.

1-800-835-0113

To obtain prompt, efficient service, always be prepared with the following information:

1. The model number of your pump.
2. The serial number or manufacturing date code of your pump.
3. Part descriptions and numbers.

Part information can be obtained from the Illustrated Parts List.

For warranty work, always be prepared with your original sales slip or other evidence of purchase date.

Please contact GPI before returning any parts. It may be possible to diagnose the trouble and identify needed parts in a telephone call. GPI can also inform you of any special requirements you will need to follow for shipping fuel dispensing equipment.

⚠ CAUTION

Do not return the pump or parts without authority from the Customer Service Department. Due to strict government regulations, GPI cannot accept parts unless they have been drained and cleaned.

SAVE THESE INSTRUCTIONS

Limited Warranty Policy

Great Plains Industries, Inc. 5252 E. 36th Street North, Wichita, KS USA 67220-3205, hereby provides a limited warranty against defects in material and workmanship on all products manufactured by Great Plains Industries, Inc. This product includes a 2 year warranty from date of purchase as evidenced by the original sales receipt. A 30 month warranty from product date of manufacture will apply in cases where the original sales receipt is not available. Reference product labeling for the warranty expiration date based on 30 months from date of manufacture. Manufacturer's sole obligation under the foregoing warranties will be limited to either, at Manufacturer's option, replacing or repairing defective Goods (subject to limitations hereinafter provided) or refunding the purchase price for such Goods theretofore paid by the Buyer, and Buyer's exclusive remedy for breach of any such warranties will be enforcement of such obligations of Manufacturer. The warranty shall extend to the purchaser of this product and to any person to whom such product is transferred during the warranty period.

This warranty shall not apply if:

- A. the product has been altered or modified outside the warrantor's duly appointed representative;
- B. the product has been subjected to neglect, misuse, abuse or damage or has been installed or operated other than in accordance with the manufacturer's operating instructions.

To make a claim against this warranty, contact the GPI Customer Service Department at 316-686-7361 or 800-835-0113. Or by mail at:
Great Plains Industries, Inc.
5252 E. 36th St. North
Wichita, KS, USA 67220-3205

GPI will step you through a product troubleshooting process to determine appropriate corrective actions.

GREAT PLAINS INDUSTRIES, INC., EXCLUDES LIABILITY UNDER THIS WARRANTY FOR DIRECT, INDIRECT, INCIDENTAL AND CONSEQUENTIAL DAMAGES INCURRED IN THE USE OR LOSS OF USE OF THE PRODUCT WARRANTED HEREUNDER.

The company herewith expressly disclaims any warranty of merchantability or fitness for any particular purpose other than for which it was designed.

This warranty gives you specific rights and you may also have other rights which vary from U.S. state to U.S. state.

Note: In compliance with MAGNUSON MOSS CONSUMER WARRANTY ACT – Part 702 (governs the resale availability of the warranty terms).



LISTED MOTOR



5252 East 36th Street North
Wichita, KS USA 67220-3205
TEL: 316-686-7361
FAX: 316-686-6746

GREAT PLAINS INDUSTRIES, INC.

"A Great Plains Ventures Subsidiary"

www.gpipumps.net

1-800-835-0113

GPI and the electric gear pump are registered trademarks of Great Plains Industries, Inc.

© 2009 GREAT PLAINS INDUSTRIES, INC., Wichita, KS
Printed in U.S.A.