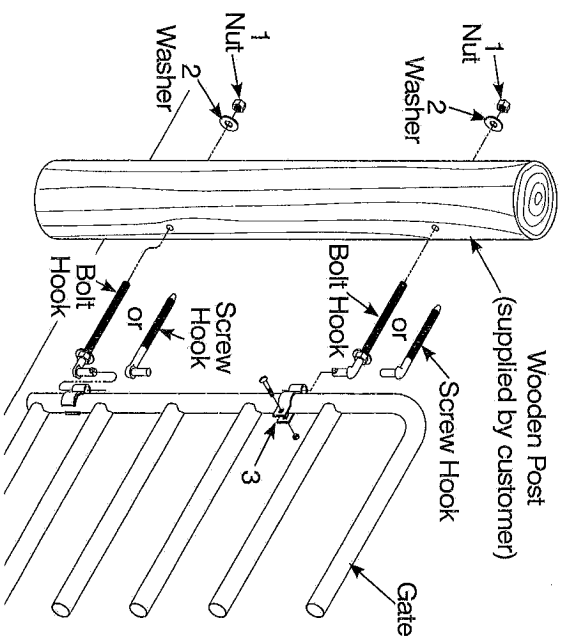


# Gate Hardware Using SCREW or BOLT HOOKS

1. Drill  $1\frac{1}{2}$ " holes in wooden post for screw hooks or  $\frac{3}{4}$ " holes all the way through for bolt hooks. NOTE: 18' & 20' gates require 3 holes.
2. Insert hooks in the holes with the pintle side on the end where the gate is to be hung. To ensure the gate is fastened securely, place one hook down and one up (see illustration).
3. **For Bolt Hooks ONLY** - thread bolt hooks on end with Washer (2) and Nut (1).
4. Place gate on bottom hook. With gate in position, loosen bolt and slide top hinge (3) onto screw or bolt hook and fasten securely in place.

See back for Chain Latch Detail



# Behlen COUNTRY

For questions, please call Customer Service at 800-447-2751 or watch the video demonstration at [www.behlencountry.com](http://www.behlencountry.com) and click on the Video tab.

F-19750-6

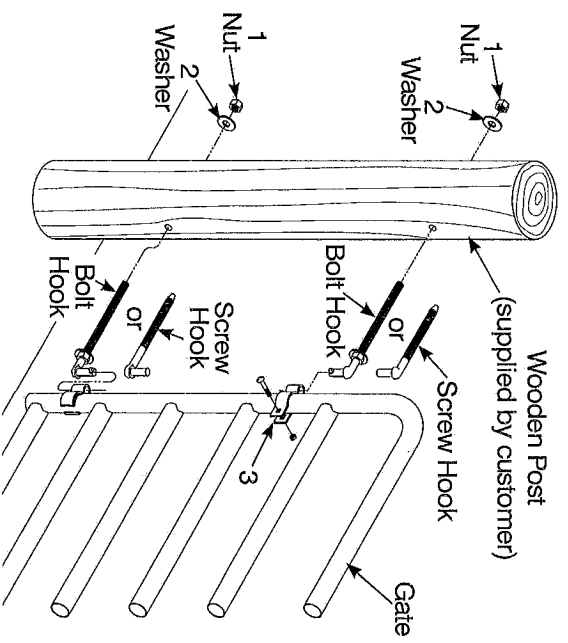
TECHNICAL INFORMATION 70 070

10-29-14

# Gate Hardware Using SCREW or BOLT HOOKS

1. Drill  $1\frac{1}{2}$ " holes in wooden post for screw hooks or  $\frac{3}{4}$ " holes all the way through for bolt hooks. NOTE: 18' & 20' gates require 3 holes.
2. Insert hooks in the holes with the pintle side on the end where the gate is to be hung. To ensure the gate is fastened securely, place one hook down and one up (see illustration).
3. **For Bolt Hooks ONLY** - thread bolt hooks on end with Washer (2) and Nut (1).
4. Place gate on bottom hook. With gate in position, loosen bolt and slide top hinge (3) onto screw or bolt hook and fasten securely in place.

See back for Chain Latch Detail



# Behlen COUNTRY

For questions, please call Customer Service at 800-447-2751 or watch the video demonstration at [www.behlencountry.com](http://www.behlencountry.com) and click on the Video tab.

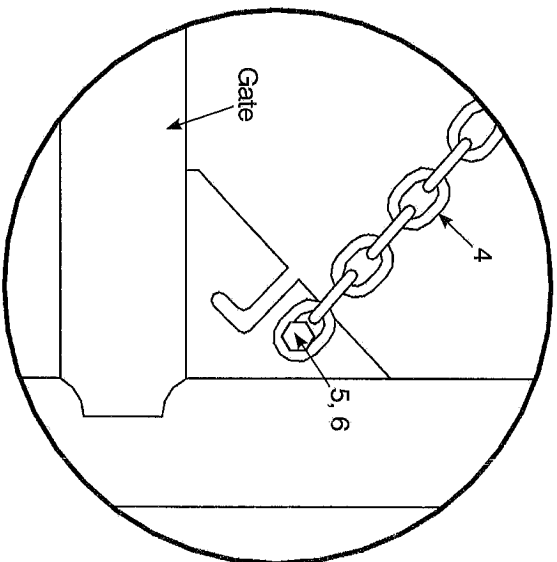
F-19750-6

TECHNICAL INFORMATION 70 070

10-29-14

### Chain Latch Detail

Assemble chain to gate as illustrated.



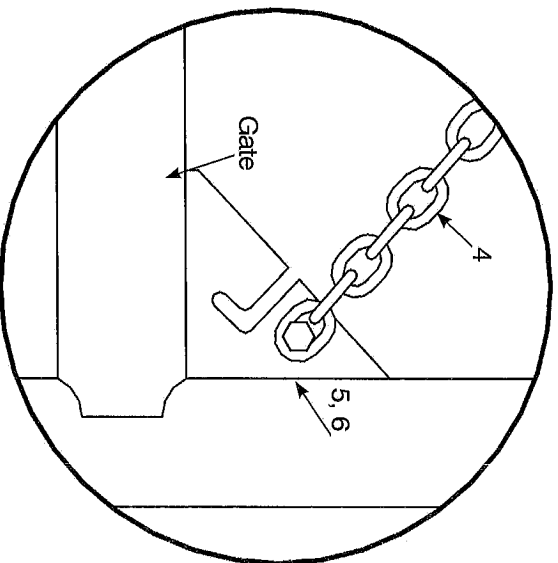
Ref. No.	Description
1	Nut, Hex Jam Plated (for bolt hooks only)
2	Washer, Flat Plated (for bolt hooks only)
3	Hinge, Plated
4	1/0 Plated Chain
5	Hex Bolt, 5/16" -18 x 3/4" ZP
6	Nut, 5/16" -18 Flange ZP

F-19829-6

10-29-14

### Chain Latch Detail

Assemble chain to gate as illustrated.



Ref. No.	Description
1	Nut, Hex Jam Plated (for bolt hooks only)
2	Washer, Flat Plated (for bolt hooks only)
3	Hinge, Plated
4	1/0 Plated Chain
5	Hex Bolt, 5/16" -18 x 3/4" ZP
6	Nut, 5/16" -18 Flange ZP

F-19829-6

10-29-14