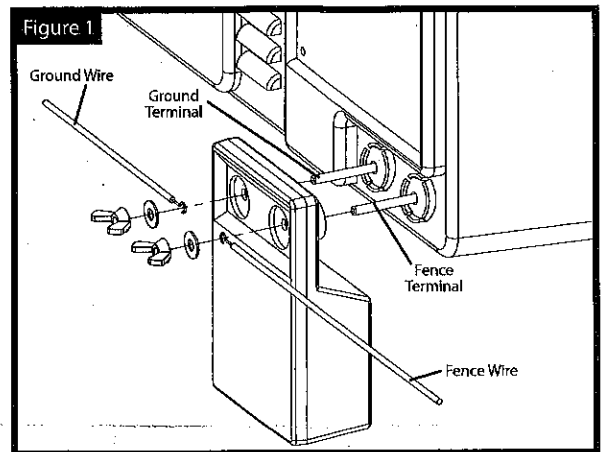


# INSTALLATION INSTRUCTIONS

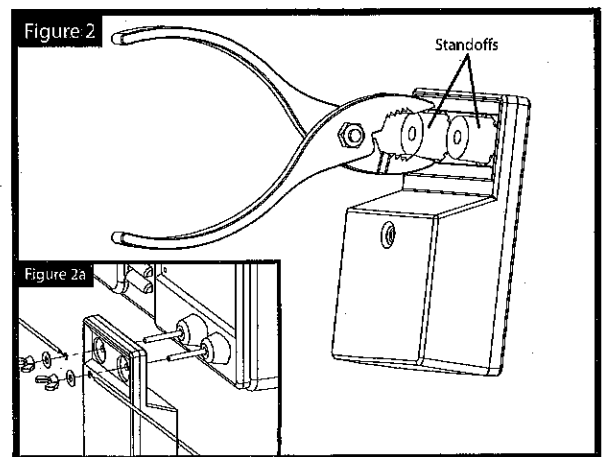


**ZAREBA**  
SMART SYSTEMS FOR ANIMAL CONTROL

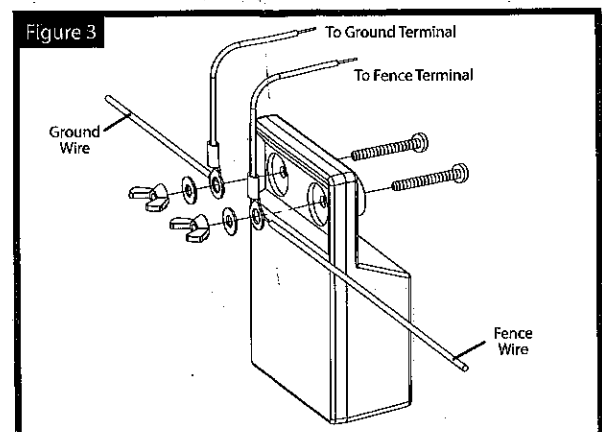
To install Storm Guard on newer Zareba models, first unplug the fence controller from the power source, then disconnect fence and ground wires from the fencer and slide the Storm Guard over the terminals of the fencer. Re-attach the fence and ground wires in front of the module. You will not need the extra wires or screws that are provided.



For any non-Zareba fence controllers, if necessary, break off the standoffs. Use a pliers and rock the standoffs back and forth until the plastic tabs break. For older Zareba models with raised cone-shaped fence terminals (Figure 2a), it will be necessary to break off the standoff on the Storm Guard.



To install Storm Guard on older Zareba models or any other fencer, first unplug the fence controller from the power source, then disconnect fence and ground wires from the electric fencer. Connect fence and ground wires, and two lead wires to the module with the provided screws and wing nuts. Now connect two lead wires to your fencer. Be sure to connect ground to ground and fence to fence.



## SAVE THIS DOCUMENT FOR FUTURE REFERENCE

### How do you know when Storm Guard has worked properly?

After a storm check your electric fence for voltage. This is best done by using a eight light fence tester or a digital fence meter. If you have power on your fence there is no need to check further. If you do not have power on your fence, unplug the fencer and remove the Storm Guard module from the fencer. You can now plug the fencer back in and check for output. If the fencer is working properly the module has done its job and needs to be replaced. The fencer can be operated normally until a new module has been purchased. If the Storm Guard module and fencer are bad, the lightning strike has exceeded your Storm Guard surge specifications.

### Why does lightning cause so much damage to electric fencers?

First of all your fencer is attached to hundreds or thousands of feet of metal wire that acts like an antenna for lightning. Lightning rarely strikes your fence, but induces voltage on the fence line. This can happen from lightning that strikes several miles away. Most electric fences are subject to this type of strike at least four times a year. This is the type of damage Storm Guard can protect your fencer from. A direct lightning strike to your fence or utility supply usually will cause a failure in spite of any efforts or expense made to protect a fencer. Statistics suggest this type of strike can happen once every ten years under normal weather conditions.