



**COUNTYLINE**<sup>®</sup>  
TRACTOR SUPPLY CO.<sup>®</sup>

# User's Manual and Operating Instructions

**Model Numbers: CL-36-BDF-A, CL-42-BDF-A, CL-48-BDF-A**



## READ AND SAVE THESE INSTRUCTIONS

**IMPORTANT:** Read and understand all of the directions in this manual before assembling, starting, or servicing the fan. Improper use of this fan can cause serious injury. Keep this manual for future reference.

**▲WARNING** For ventilating use only. Do not use to exhaust hazardous chemicals or use near any flammable liquids or gases as sparks from motor may ignite fumes. Never use the fan in spaces which contain products such as gasoline, solvents, paint thinners, dust particles, volatile or airborne combustibles, or any unknown chemicals.

This product meets and exceeds the requirements of OSHA 1910.212(a)(5), the standard which regulates electric fan blade safety, and is certified under UL# E234000, established and made effective April 10, 2003, and updated March 23, 2005, by Underwriters Laboratories, Inc.

Please note the serial number of your fan, and write it on the back of this User's Manual for future reference. Your serial number is located on upper rear section of mount bar.

Distributed by: **TRACTOR SUPPLY COMPANY 200 POWELL PLACE  
BRENTWOOD, TN 37027**  
For customer support, call: **1-866-641-4540**



**NEVER LEAVE A FAN  
UNATTENDED WHILE  
OPERATING OR WHILE  
CONNECTED TO A POWER  
SOURCE**

## Table of Contents

Safety Information.....	2	Troubleshooting .....	5
Installation .....	3	Wiring Diagram .....	5
Operation .....	3	Replacement Parts List .....	6
Belt Maintenance.....	4	Exploded View .....	7
Maintenance and Storage .....	4	Warranty.....	Back Cover

## Safety Information

**IMPORTANT:** READ ALL INSTRUCTIONS CAREFULLY BEFORE ASSEMBLY, SERVICE OR USE OF THIS FAN. FAILURE TO COMPLY WITH THESE INSTRUCTIONS COULD RESULT IN SERIOUS PERSONAL INJURY AND / OR PROPERTY DAMAGE.

**▲ WARNING** This unit is designed for indoor use only. Do not expose to elements or allow to become wet.

**▲ WARNING** To guard against electric shock while operating, do not allow fan to come in contact with other grounded objects such as pipes, radiators, etc.

**▲ WARNING** Risk of fire, electric shock, or personal injury when performing service or maintenance. Unplug or disconnect the fan from the power supply before servicing.

**▲ WARNING** To Reduce The Risk Of Fire Or Electric Shock, Do Not Use This Fan With Any Solid- State Speed Control Device.

- Turn off, unplug unit, and wait for fan to stop before moving, storing, and / or changing operating locations.
- Operate only on 115 volt 60 Hz (cycle) current with a minimum of a 15 amp circuit.
- Before operating always check fan for loose or damaged parts. Inspect power cord for any damage. Never use fan if any parts are damaged or missing. Never use fan without safety guards attached.
- When used with an extension cord, use only cord of proper size (Amp rating), UL listed, and with receptacle to accept three prong grounded plug furnished on the fan's power cord. Always keep power cord and extension cords away

- from heat, oil, and sharp edges. Inspect cords periodically and replace if damaged.
- Disconnect fan from power source when not in use, before servicing and when cleaning or repairing.
- Repair of this appliance should be done by a qualified electrician.
- In case of power failure, turn fan off at switch to prevent unexpected restarting and component damage.
- Keep children away from fan at all times.





## Installation

Simply locate fan in safe, desired position on level ground, fold out wheels, and connect to approved power source.

**NOTE:** This fan uses a folding wheel design. For quick assembly, simply swing the wheels out and snap to lock in place ( see figure 1).

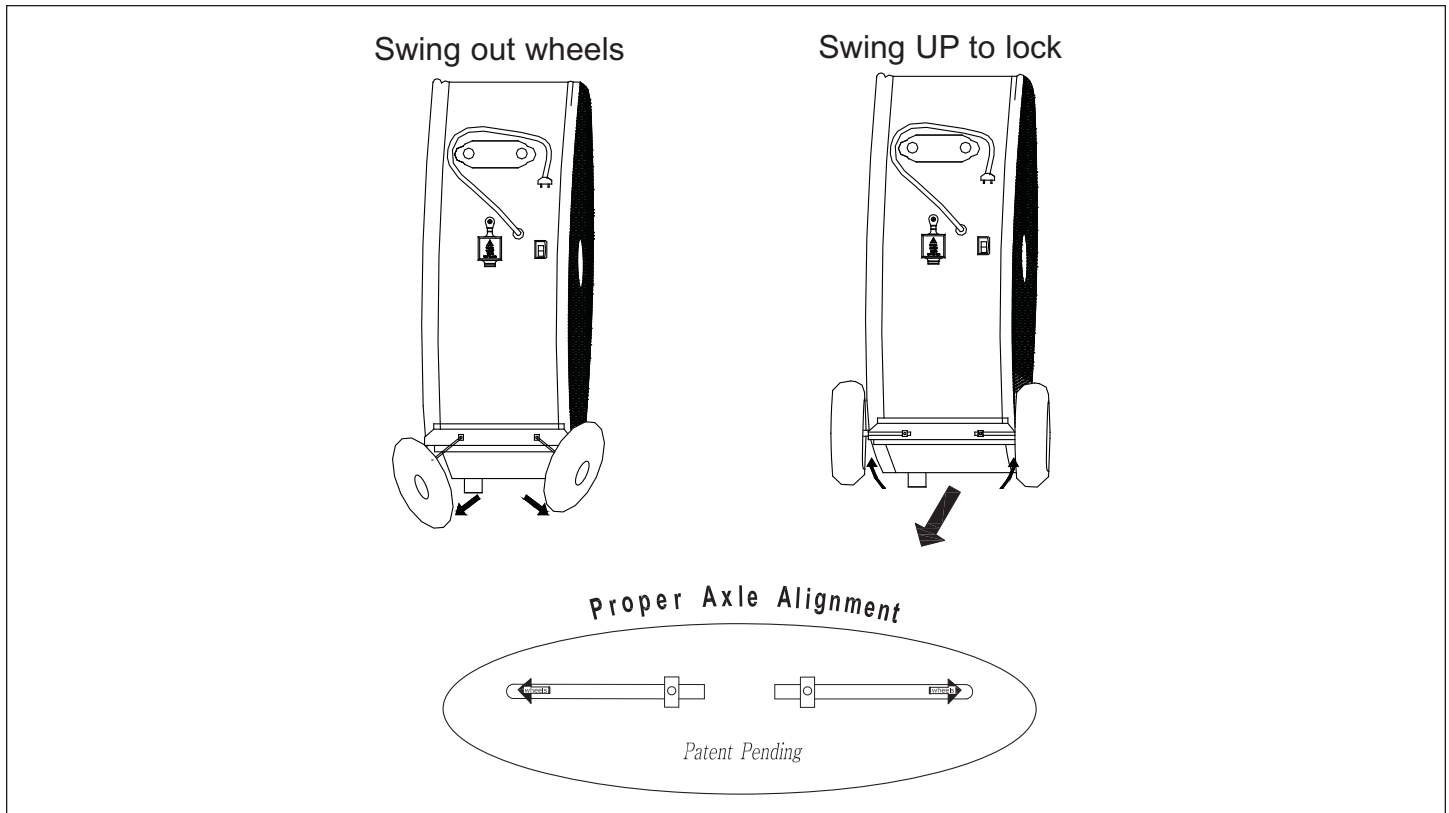


figure 1: Wheel Assembly

## Operation

**NOTE:** This fan is equipped with a 2-speed control switch.

### TO START FAN:

1. Be sure the Power Switch is in the middle (OFF) position.
2. Connect to an approved power source.
3. Make sure area is clear from all obstructions.
4. Push Power Switch to the LOW position and allow to operate for 10 seconds.

5. Once 10 seconds have passed, you may now push the Power Switch to the HIGH position.

### TO TURN OFF FAN:

- 1 To turn off the fan, simply return Power Switch to the middle (OFF) position.

**NOTE:** For longer parts life, after 10 hours of continuous operation, turn fan off for 15 minutes to allow motor and fan belt to cool.

**▲ WARNING** DO NOT MOVE FAN WHILE OPERATING! MOVING FAN DURING OPERATING CAN CAUSE BLADE DAMAGE.



## Belt Tightening / Replacement

1. Remove screws from Rear Guard and tilt wheel (figure 2).
2. Loosen motor nuts, and motor safeguards (located above and below motor).
3. Remove belt to replace, or adjust motor to tighten belt (figure 3).

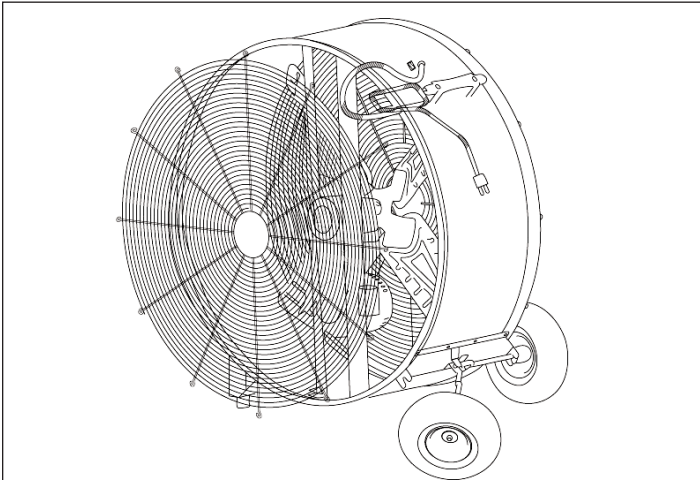


figure 2: Removing Guard

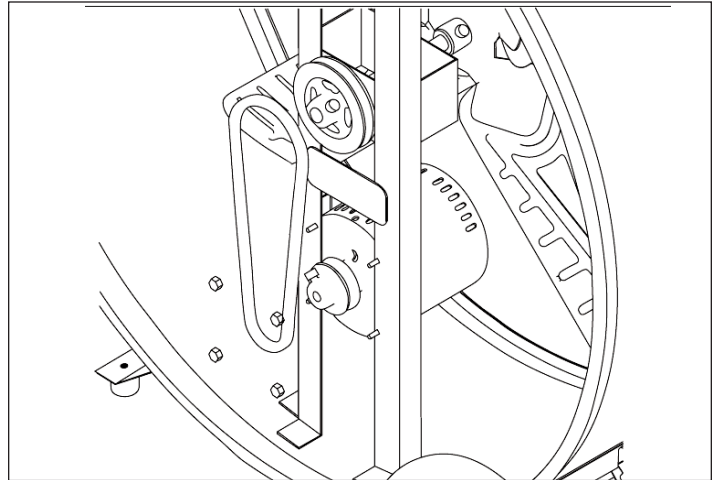


figure 3: Adjusting Fan Belt

## Maintenance and Storage

1. Inspect your fan before each use. Check all wires and extension cords, following the procedure outlined on Page 2 (Safety Information).
2. After use, always be sure fan's Power Switch is in the OFF position before unplugging. Use cord wrap (see page 7) to keep cord off the ground when transporting fan.

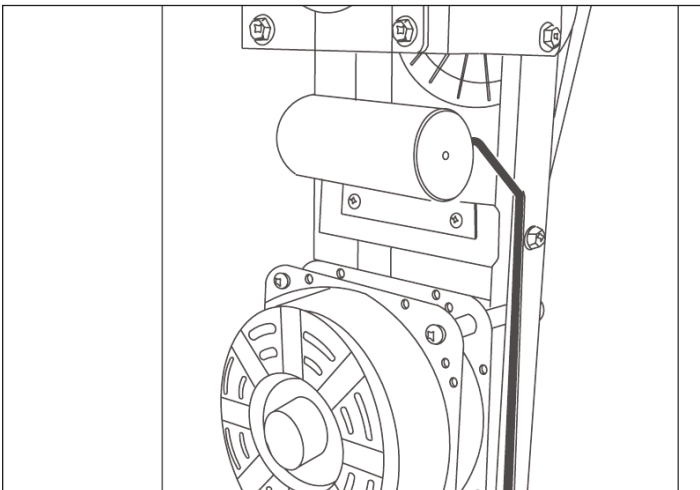


figure 4: Capacitor Assembly

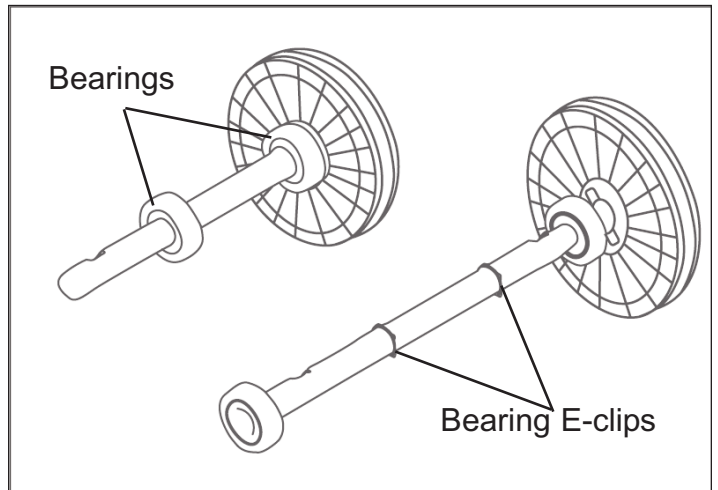


figure 5: Fan Shaft Assembly



**NEVER LEAVE A FAN UNATTENDED WHILE OPERATING OR WHILE CONNECTED TO A POWER SOURCE**

**Troubleshooting Guide**

Problem	Possible Cause	Corrective Action
Fan does not operate	1. No power	Inspect Power Cord for damage. Be sure unit is plugged in and turned on.
	2. Bad switch	Replace Power Switch (Note: To prolong life of Power Switch, it is recommended that the fan is first operated in LOW for 5-10 seconds before switching to HIGH).
	3. Motor is humming	Capacitor is damaged or belt is too tight. Replace Capacitor or loosen belt.
Reduced Air Flow	1. Loose pulleys or fan blade	Tighten motor pulley Hex Screw.
	2. Loose or worn belt	See page 4 for belt tightening instructions.
	3. Motor is humming	Capacitor is damaged or belt is too tight. Replace Capacitor or loosen belt.
Excess Noise (vibration, slapping, squealing)	1. Fan is not on level ground	Turn off fan, and relocate unit to smooth level surface.
	2. Loose pulley or belt	Tighten Hex screw to tighten Motor Pulley. See page 4 for for belt tightening instructions.
	3. Motor bolts are not secure	Tighten Motor Safeguard bolts and 4 motor bolts.
	4. Defective E-clips	Replace Fan Bearings / E-clips.

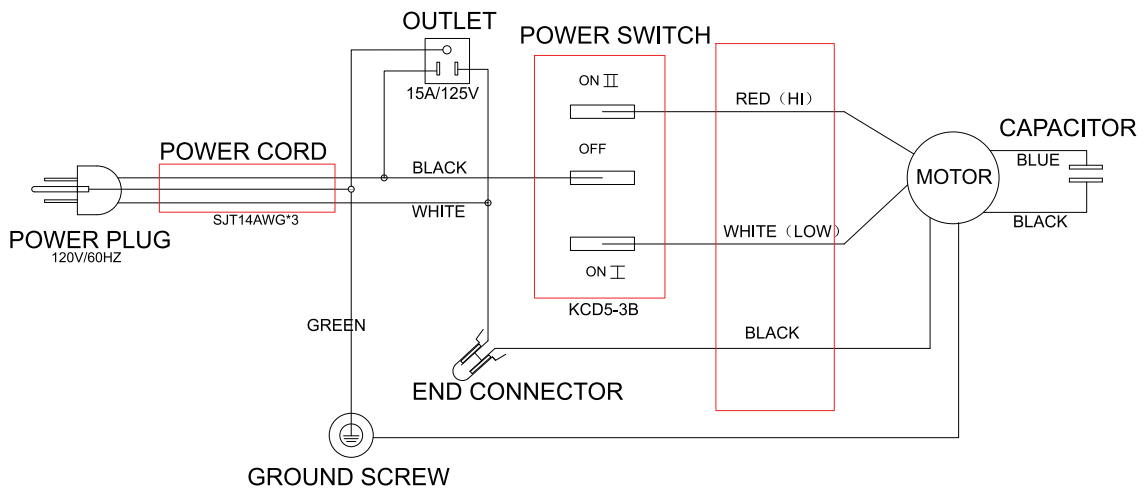


figure 6: Wiring Diagram



**Replacement Parts**

Item #	Description	Models:		
		CL-36-BDF-A	CL-42-BDF-A	CL-48-BDF-A
1	Hardware for Guards	90-032-0005	90-032-0005	90-032-0005
2	Front Guard	N/A	N/A	N/A
3	Fan Blade Assembly	90-003-1010	90-003-2010	90-003-5210
4	Power Switch Holder	90-016-0100	90-016-0100	90-016-0100
5	Capacitor	90-004-0100	90-004-0100	90-004-2500
6	Power Switch	90-025-0100	90-025-0100	90-025-0110
7	Handle / Cord Wrap	90-006-0150	90-006-0150	90-006-0150
8	Frame	N/A	N/A	N/A
9	Mount Bar	90-009-0260	90-009-0270	90-009-0280
10	Serial Number Plate	N/A	N/A	N/A
11	Power Cord	90-026-0050	90-026-0100	90-026-0100
12	Rear Guard	N/A	N/A	N/A
13	Belt	90-037-0400	90-037-0450	90-037-0450
14	Fan Pulley	90-034-0300	90-034-0350	90-034-0350
15	Bearing Plate	90-013-0100	90-013-0100	90-013-0100
16	Motor Pulley	90-035-0350	90-035-0350	90-035-0355
17	Fan Shaft	90-003-0750	90-003-0750	90-003-0755
18	Bearing E-Clip	90-065-0210	90-065-0210	90-065-0210
19	Fan Pulley E-Clip	90-065-0220	90-065-0220	90-065-0220
20	Bearing	90-040-0100	90-040-0100	90-040-0100
21	Bearing Housing	90-013-0200	90-013-0200	90-013-0105
22	Leg	90-002-0480	90-002-0480	90-002-0450
23	Wheel	90-008-0522	90-008-0522	90-008-0522
24	Wheel Axle	90-008-0470	90-008-0480	90-008-0480
25	Motor	90-030-0725	90-030-0825	90-030-0925
26	Motor Support	N/A	N/A	N/A
27	Electric Outlet Cover	90-027-0150	90-027-0150	90-027-0150
28	Electric Outlet	90-027-0100	90-027-0100	90-027-0100

The Manufacturer reserves the right to make any changes in materials, specifications, prices or design without notice, and may also discontinue items at any time.





**NEVER LEAVE A FAN  
UNATTENDED WHILE  
OPERATING OR WHILE  
CONNECTED TO A POWER  
SOURCE**

**Exploded View**

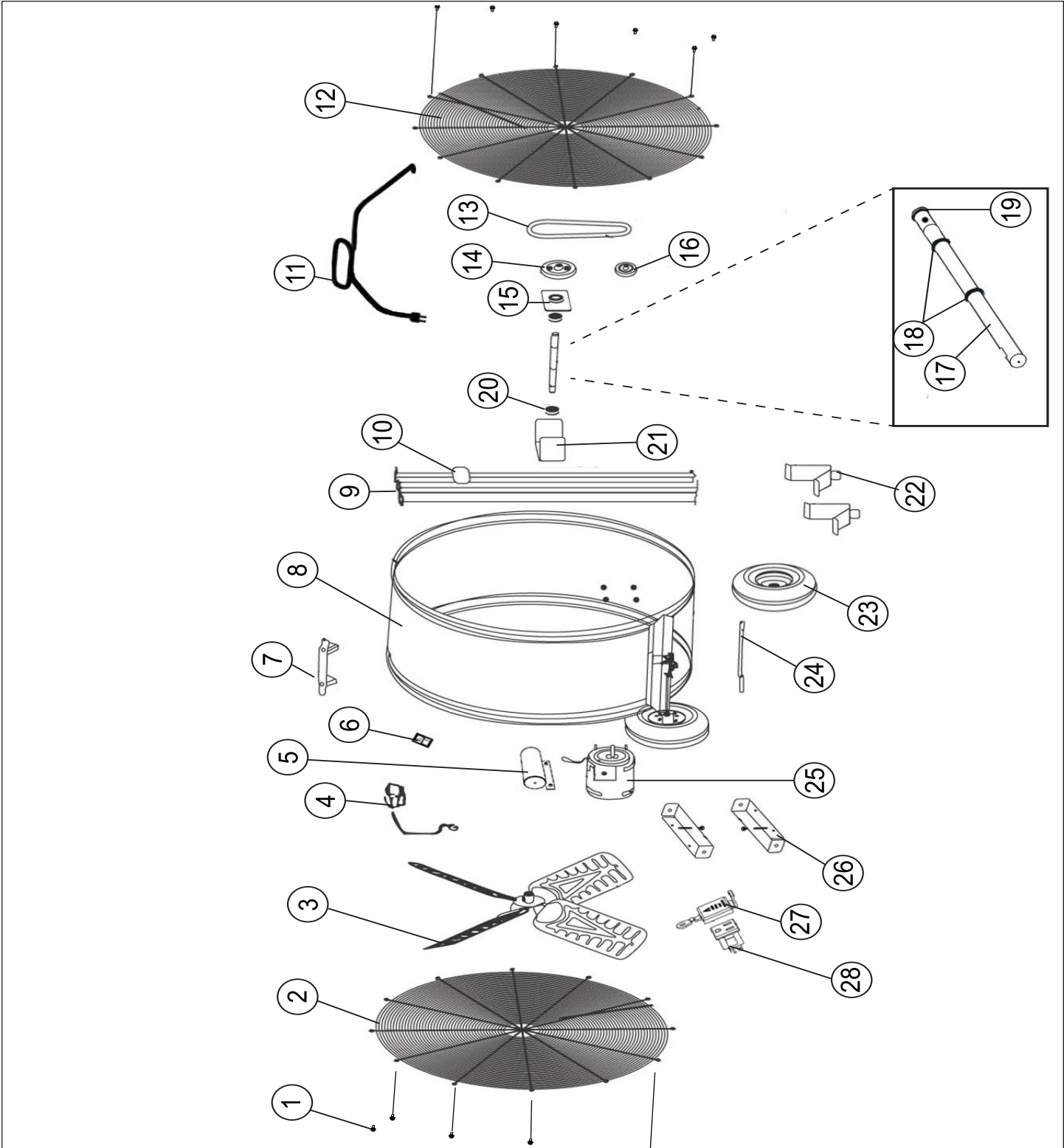


figure 7: Exploded View





**COUNTYLINE**<sup>®</sup>  
TRACTOR SUPPLY CO<sup>®</sup>

**NEVER LEAVE A FAN  
UNATTENDED WHILE  
OPERATING OR WHILE  
CONNECTED TO A POWER  
SOURCE**

## 1 YEAR LIMITED WARRANTY

The manufacturer warrants this product to the original retail purchaser only, to be free from defects in material and workmanship for a period of one (1) year from the date of initial purchase. This product must be properly installed, maintained and operated in accordance with the instructions provided.

The manufacturer requires reasonable proof of your date of purchase from an authorized retailer or distributor. Therefore, you should keep your sales slip, invoice, or cancelled check from the original purchase. This Limited Warranty shall be limited to the repair or replacement of parts, which prove defective under normal use and service within the warranty period, and which the manufacturer shall determine at its reasonable discretion.

This warranty does not apply to products purchased for rental use.

This Limited Warranty does not cover any failures or operating difficulties due to normal wear and tear, accident, abuse, misuse, alteration, misapplication, improper installation or improper maintenance and service by you or any third party. Failure to perform normal and routine maintenance on the fan, shipping damage, damage related to insects, birds, or animals of any kind, and damage due to weather conditions are also not covered. In addition, the Limited Warranty does not cover damage to the finish, such as scratches, dents, discoloration, rust or other weather damage, after purchase.

All transportation costs for the return of the damaged product or parts will be the responsibility of the purchaser. Upon receipt of damaged item, the manufacturer will examine the item and determine if defective. the manufacturer will repair or replace and return the item, freight pre-paid.

If the manufacturer finds the item to be in normal operating condition, or not defective, the item will be returned freight collect.

This Limited Warranty is in lieu of all other express warranties. The manufacturer disclaims all warranties for products that are purchased from sellers other than authorized retailers or distributors.

AFTER THE PERIOD OF THE ONE (1) YEAR LIMITED WARRANTY EXPIRES, THE MANUFACTURER DISCLAIMS ANY AND ALL IMPLIED WARRANTIES, INCLUDING WITHOUT LIMITATION THE IMPLIED WARRANTIES OF MERCHANTABILITY AND FITNESS FOR A PARTICULAR APPLICATION. FURTHER, THE MANUFACTURER SHALL HAVE NO LIABILITY WHATSOEVER TO PURCHASER OR ANY THIRD PARTY FOR ANY SPECIAL, INDIRECT, PUNITIVE, INCIDENTAL, OR CONSEQUENTIAL DAMAGES. The manufacturer assumes no responsibility for any defects caused by third parties. This Limited Warranty gives the purchaser specific legal rights; a purchaser may have other rights depending upon where he or she lives. Some states do not allow the exclusion or limitation of special, incidental or consequential damages, or limitations on how long a warranty lasts, so the above exclusion and limitations may not apply to you.

The manufacturer does not authorize any person or company to assume for it any other obligation or liability in connection with the sale, installation, use, removal, return, or replacement of its equipment, and no such representations are binding on The manufacturer. Always be sure to specify model number and serial number when making any claim with the manufacturer.

**ALWAYS BE SURE TO SPECIFY MODEL NUMBER AND SERIAL NUMBER WHEN MAKING ANY CLAIM WITH THE MANUFACTURER. FOR YOUR CONVENIENCE USE THE SPACE PROVIDED BELOW TO LIST THIS INFORMATION:**

Model #: \_\_\_\_\_ Serial #: \_\_\_\_\_

Date of Purchase: \_\_\_\_\_

