



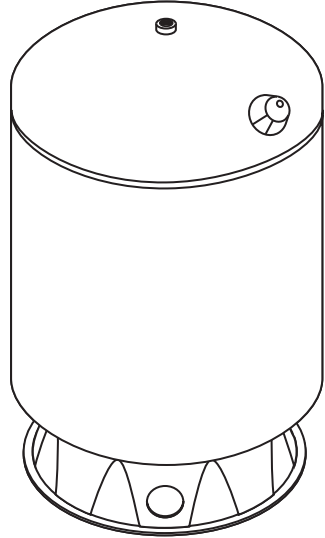
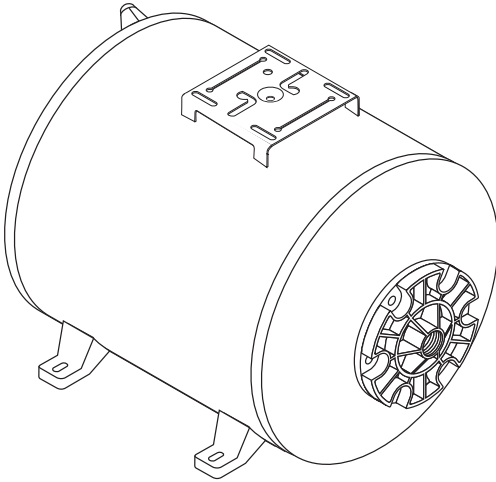
293 Wright Street, Delavan, WI 53115  
 Phone: 800-535-4950  
 Fax: 800-526-3757  
 www.tractorsupply.com

OWNER'S MANUAL

**Pre-Charged  
 Pressure Tanks**

MANUAL DEL USUARIO

**Tanques de  
 presión precargada**



**CLPT20H    CLPT52**  
**CLPT20    CLPT85**  
**CLPT36    CLPT119**

**Installation/Operation/Parts**

*For further operating, installation, or maintenance assistance:*

**Call 800-535-4950**

**English. . . . . Pages 2-7**


**Instalación/Operación/Piezas**


*Para mayor información sobre el funcionamiento, instalación o mantenimiento de la bomba:*


**Llame al 800-535-4950**


**Español . . . . . Páginas 8-13**

## Important Safety Instructions

SAVE THESE INSTRUCTIONS - This manual contains important instructions that should be followed during installation, operation, and maintenance of the product.  This is the safety alert symbol. When you see this symbol on your pump or in this manual, look for one of the following signal words and be alert to the potential for personal injury!

 **DANGER** indicates a hazard which, if not avoided, *will* result in death or serious injury.

 **WARNING** indicates a hazard which, if not avoided, *could* result in death or serious injury.


 **CAUTION** indicates a hazard which, if not avoided, *could* result in minor or moderate injury.

**NOTICE** addresses practices not related to personal injury.


**Carefully read and follow all safety instructions in this manual and on pump.**


Keep safety labels in good condition. Replace missing or damaged safety labels.

### California Proposition 65 Warning

 **WARNING** This product and related accessories contain chemicals known to the State of California to cause cancer, birth defects or other reproductive harm.

1. Read this manual carefully. Failure to follow these Instructions could cause serious bodily injury and/or property damage.
2. Consult installer or licensed plumber for correct relief valve. Install system according to local codes.
3. Always test water from well for purity before using. Check local health department for testing procedure.
4. Before installing or servicing tank, BE SURE pump electric power source is disconnected. Release all water pressure before working on tank or system. Release air pressure before removing cover flange.
5. Install relief valve in pump supply line to tank, as close to tank as possible.
6. BE SURE pump electrical circuit is properly grounded.
7. Remove bleeder orifices, air volume controls or other air charging devices in existing system.
8. DO NOT USE tank as a surge suppressor.

 **WARNING Risk of explosion.** To prevent possible serious or fatal injury and/or damage to equipment, system pressure must be less than 100 pounds per square inch (PSI) (689kPa) under any circumstances. Failure to follow instruction can result in tank blowup. If system discharge pressure can exceed 100 PSI (689kPa), install a relief valve capable of passing the full pump volume at 100 PSI (689kPa).

 **CAUTION Risk of freezing.** Do not allow pump, tank, or piping system to freeze. Freezing can severely damage equipment and may lead to tank explosion and serious injury. Allowing tank to freeze voids tank warranty.

Retain Original Receipt for Warranty Eligibility

Limited Warranty

This Limited Warranty is effective January 1, 2013 and replaces all undated warranties and warranties dated before January 1, 2013.

CountyLine warrants to the original consumer purchaser ("Purchaser" or "You") that its products are free from defects in material and workmanship for a period of twelve (12) months from the date of the original consumer purchase. If, within twelve (12) months from the original consumer purchase, any such product shall prove to be defective, it shall be repaired or replaced at CountyLine's option, subject to the terms and conditions set forth herein. Note that this limited warranty applies to manufacturing defects only and not to ordinary wear and tear. All mechanical devices need periodic parts and service to perform well. This limited warranty does not cover repair when normal use has exhausted the life of a part or the equipment. The original purchase receipt and product warranty information label are required to determine warranty eligibility. Eligibility is based on purchase date of original product – not the date of replacement under warranty. The warranty is limited to repair or replacement of original purchased product only, not replacement product (i.e. one warranty replacement allowed per purchase). Purchaser pays all removal, installation, labor, shipping, and incidental charges.

For parts or troubleshooting assistance, DO NOT return product to your retail store. Contact CountyLine Customer Service at 800-535-4950.

Claims made under this warranty shall be made by returning the product (except sewage pumps, see below) to the retail outlet where it was purchased immediately after the discovery of any alleged defect. CountyLine will subsequently take corrective action as promptly as reasonably possible. No requests for service will be accepted if received more than 30 days after the warranty expires. Warranty is not transferable and does not apply to products used in commercial/rental applications.

Sewage Pumps

DO NOT return a sewage pump (that has been installed) to your retail store. Contact CountyLine Customer Service. Sewage pumps that have seen service and been removed carry a contamination hazard with them.

If your sewage pump has failed:

- Wear rubber gloves when handling the pump;
- For warranty purposes, return the pump's cord tag and original receipt of purchase to the retail store;
- Dispose of the pump according to local disposal ordinances.

Exceptions to the Twelve (12) Month Limited Warranty

Product	Warranty Period
CL106, CL108	90 days
CLTS33P, CLSU14	2 Years
4" Submersible Well Pumps	3 Years
CLVS50C, CLW750, Pressure Tanks	5 Years

General Terms and Conditions; Limitation of Remedies

You must pay all labor and shipping charges necessary to replace product covered by this warranty. This warranty does not apply to the following: (1) acts of God; (2) products which, in CountyLine's sole judgement, have been subject to negligence, abuse, accident, misapplication, tampering, or alteration; (3) failures due to improper installation, operation, maintenance or storage; (4) atypical or unapproved application, use or service; (5) failures caused by corrosion, rust or other foreign materials in the system, or operation at pressures in excess of recommended maximums.

This warranty sets forth CountyLine's sole obligation and purchaser's exclusive remedy for defective products.

COUNTYLINE SHALL NOT BE LIABLE FOR ANY CONSEQUENTIAL, INCIDENTAL, OR CONTINGENT DAMAGES WHATSOEVER. THE FOREGOING WARRANTIES ARE EXCLUSIVE AND IN LIEU OF ALL OTHER EXPRESS AND IMPLIED WARRANTIES, INCLUDING BUT NOT LIMITED TO THE IMPLIED WARRANTIES OF MERCHANTABILITY AND FITNESS FOR A PARTICULAR PURPOSE. THE FOREGOING WARRANTIES SHALL NOT EXTEND BEYOND THE DURATION PROVIDED HEREIN.

Some states do not allow the exclusion or limitation of incidental or consequential damages or limitations on how long an implied warranty lasts, so the above limitations or exclusions may not apply to You. This warranty gives You specific legal rights and You may also have other rights which vary from state to state.

CountyLine • 293 Wright Street • Delavan, WI U.S.A. 53115
Phone: 800-535-4950 • Fax: 800-526-3757 • www.tractorsupply.com

**General Information**

Tanks listed below are pre-charged, or filled with air at the factory, to 40 pounds per square inch (PSI) (276kPa). When installing tank, set tank pressure according to *Chart 1*. To do this, bleed air from or add air to tank through valve on top of tank.

**NOTICE** Always set or check tank pre-charge with NO WATER in tank or water pressure in system. If you have already pumped water before setting or checking pre-charge pressure, turn pump off. Open faucet until there is no more water pressure. Set pre-charge in tank according to *Chart 1*, then close faucet and turn pump back on.

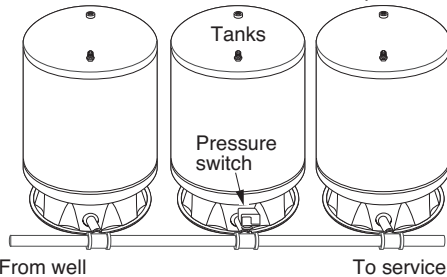
**NOTICE** Replace and tighten air valve cap after pressure is adjusted correctly. Failure to replace air cap may allow loss of air pressure and lead to tank waterlogging and bladder failure.

When Pressure Switch Setting Is:	Reduce Tank Precharge (PSI) To:
20-40 PSI (138-276 kPa)	18 (124 kPa)
30-50 PSI (207-345 kPa)	28 (193 kPa)
40-60 PSI (276-414 kPa)	38 (262 kPa)

**Chart 1 - Tank Precharge Settings**

(The first number on the pressure switch is the pump 'ON' setting; the second number is the pump 'OFF' setting.)

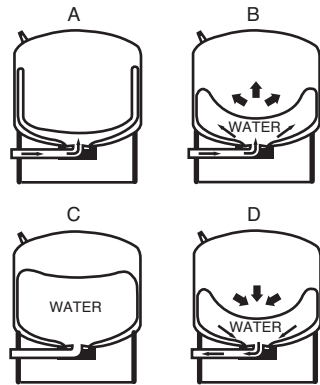
Pre-charged storage tanks can be connected together to increase the drawdown. Drawdown is the actual amount of usable water available from when the tank is full to when the pump turns on. Installing two tanks of same size will double the drawdown supply, three tanks will triple the drawdown supply, (Figure 1). Locate pressure switch as shown. Tank and pressure switch cannot be more than 10' (3M) apart.



**Figure 1**

**NOTICE** Tank capacity is different than drawdown. Tank capacity is the actual physical volume of the sheet metal that makes up the tank.

**Operating Cycle**



**Figure 2 - Tank Operating Cycle**

1. Tank nearly empty – air expands filling area above bladder (Figure 2A).
2. Water enters tank – air is compressed above bladder as it fills with water (Figure 2B).
3. Pump-up cycle completed – air compressed to OFF setting of pressure switch (Figure 2C).
4. Water drawn from tank – compressed tank air forces water out of bladder (Figure 2D).
5. Bladder empty – new cycle ready to begin (Figure 2A).

**Installation**

Connect discharge pipe from pump to a tee. Connect one side of tee to tank flange and the other side of tee to service. Use plastic or steel pipe as required. To prevent leaks, use PTFE pipe thread sealant tape on male threads of all threaded connections to tank.

**NOTICE** To be sure pipe joints are not cross-threaded and all threads are clean, make connections by hand (without sealer) first. When threads are clean, remove pipe, add PTFE tape, and remake connection. Tighten by hand first; finish with pipe wrench.

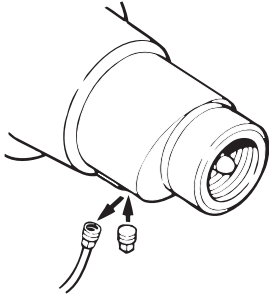
When installing an elbow or nipple in the plastic tank flange, tighten it hand tight plus 1-1/2 turns with a pipe wrench. **DO NOT OVERTIGHTEN!**

**Standard Tank Replacement**

When replacing standard tank in a water system with pre-charged tank, no bleeder orifices or Air Volume Control (AVC) are required. When sizing a pre-charged tank to replace a standard tank, the tanks should have equivalent drawdowns. For example, model CLPT20 pre-charged tank has a drawdown of 5.8 gallons (22L) and is equivalent to a 42 gallon standard tank that has a drawdown of 4.3 gallons (16.3L).

**⚠ WARNING Risk of electric shock and explosion.** Disconnect all power to pump and bleed all pressure from system before working on pump, tank, or piping.

For jet pump installation, remove AVC tube from port in pump body or jet body and plug port (see Figure 3). New pumps come with plug installed.



**Figure 3 - Plug AVC Port when installing pre-charged tank on existing pumps. New pumps come with plug installed.**

**NOTICE** When working on submersible pumps in wells, be sure safety rope is solidly connected to pump and securely anchored at the well head at all times. Do not drop the pump down the well!

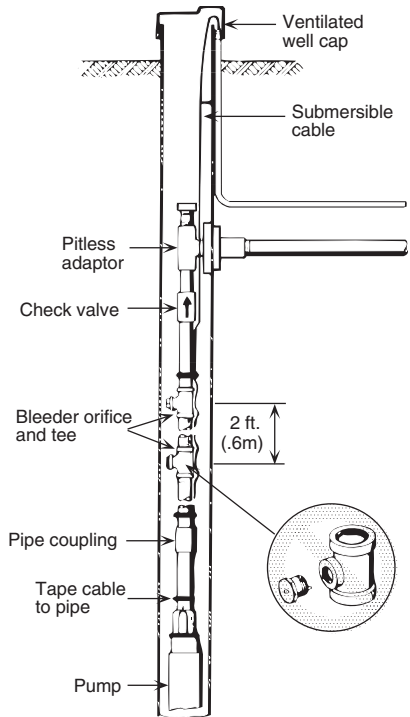
### Bleeder Orifices

For submersible pump installations, there may be bleeder orifices in the vertical discharge pipe. They must be removed and the tees plugged when a pre-charged tank is installed in the system. To do this, raise the pump and discharge piping enough to bring the bleeder orifices clear of the well. Remove the bleeder orifices from tees and replace with plugs (see Figure 4). Bleeder orifices may be any of several sizes. Have a supply of 1/2", 3/4", and 1" plugs available. Replace pump and reconnect the discharge pipe.

### Adjusting Tank Pre-charge

In areas where temperature is high for long periods of time, tank pre-charge pressure may increase. This may reduce tank drawdown (amount of water available per cycle). If this occurs, adjust pre-charge pressure according to *Chart 1*.

Flush all air out of piping system and water reservoir portion of pre-charged tank. Adjustment of tank pre-charge is required on new installations, pumps requiring re-priming, and pumps disassembled for service.



**Figure 4**

Adjust tank precharge as follows:

1. Open faucets furthest from tank and run pump.
2. Run pump until sputtering stops and steady stream of water flows.
3. Open and close faucets repeatedly until all air has been removed.
4. If stream does not become steady, air may be leaking into system; check for leaks in piping on suction side of pump.

**NOTICE** To prevent waterlogging, check tank air charge annually.

### To Check Tank Air Charge

If drawdown decreases significantly, check as follows:

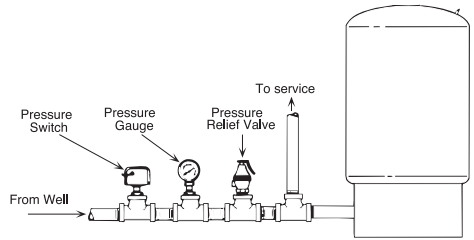
1. To check air charge in tank, shut off electric power to pump, open faucet near tank, and drain completely.
2. At air valve, check tank air pressure with tire gauge. See *Chart 1* for correct pressure setting. If needed, adjust tank pressure up or down.
3. Use soap or liquid detergent to check for air leaks around air valve. Continuous bubbling indicates leak. If necessary, release air pressure and install new core in air valve, (same type used for automobile tubeless tires.)

**Testing for Bladder Leakage**

1. Disconnect power to pump.
2. Drain water from tank bladder by opening faucet closest to tank.
3. Remove valve cap and release all pressure by depressing valve core. When air stops coming from valve, remove valve core to release remaining pressure.
4. Disconnect piping from elbow on tank cover flange.
5. Carefully turn tank upside down or lay on its side.

**▲ CAUTION Heavy parts.** Retained water in tank may cause sudden weight shift when lowering. Support tank so it cannot fall when being lowered or inverted.

6. If bladder leaks, water will run out of valve. If so, replace bladder.
7. If replacing bladder, be sure air and water pressures are relieved before removing cover flange. When reassembling cover flange, do not tighten nuts or mounting studs more than 65 in-lbs.



**Figure 5 - Typical installation with vertical pre-charge tank and submersible well pumps**

**NOTICE** When using metal pipe with plastic fittings, use only PTFE pipe thread sealant tape on male threads.

**NOTICE** Most standard tanks have separate inlet and outlet ports. Pre-charge tanks have one port serving both functions. When replacing standard tank with a pre-charge tank, run pipe from pump into a tee as shown. Second leg of tee goes to tank elbow. Third leg goes to existing service.

**Product Information – Pre-Charged Tanks**

Model	Drawdown - Gals (L)		
	20-40 PSI (138-276kPa)	30-50 PSI (207-345kPa)	40-60 PSI (276-414kPa)
CLPT20	6.9 (26.1)	5.8 (22)	5.0 (18.9)
CLPT20H	6.9 (26.1)	5.8 (22)	5.0 (18.9)
CLPT36	12.7 (48.1)	10.7 (40.5)	9.3 (35.2)
CLPT52	18.3 (69.3)	15.5 (58.7)	13.4 (50.7)
CLPT85	30.0 (113.6)	26.0 (98.4)	22.0 (83.3)
CLPT119	41.3 (156.3)	35.4 (134.0)	31.0 (117.3)

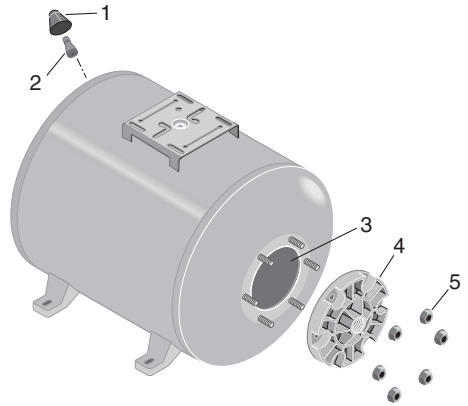
Model	Maximum Capacity US Gals (L)	Equivalent to Standard Tank US Gals (L)	Tank Diameter (mm)	Tank Height (mm)	Tank Discharge Tapping
CLPT20	19 (72)	42 (159)	16" (406)	30-1/8" (765)	1"
CLPT20H	19 (72)	42 (159)	16" (406)	*24-5/8" (625)	1"
CLPT36	35 (132)	82 (310)	20" (508)	36-1/4" (921)	1"
CLPT52	50 (189)	120 (454)	24" (610)	34-3/4" (883)	1-1/4"
CLPT85	85 (322)	220 (833)	24" (610)	54" (1372)	1-1/4"
CLPT119	119 (450)	320 (1211)	24" (610)	68" (1727)	1-1/4"

\* Length overall; this model is a horizontal tank.

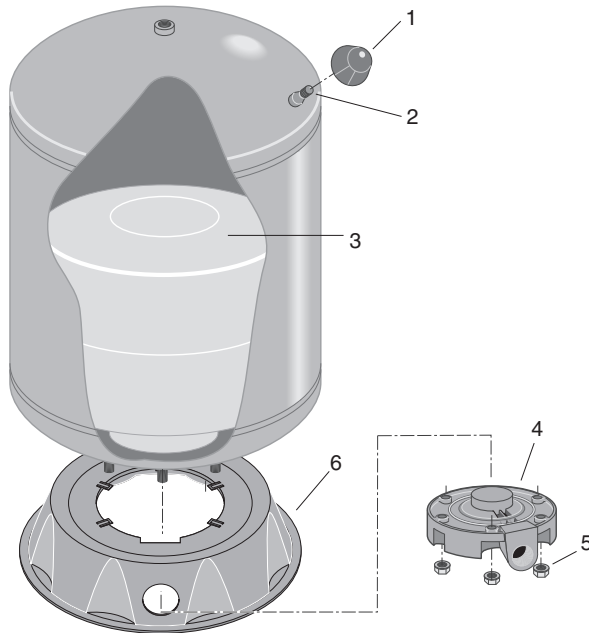
**CLPT20H**

Ref.	Description	Qty.	CLPT20H
1	Air Valve Cover	1	U31-380P
2	Air Valve with Cap	1	U212-160
3	Water Cell - Vinyl	1	U20-13
4	Cover Flange	1	U31-446P
5†	Flanged Nut - 5/16-18 Hex	6	U36-202BT

† Purchase locally.



- CLPT20\***
- CLPT36\***
- CLPT52\***
- CLPT85\***
- CLPT119\***



\*Not equipped with pump mounting bracket. Install pump beside tank.

Ref.	Description	Qty.	CLPT20	CLPT36	CLPT52	CLPT85	CLPT119	
1	Air Valve Cover	1	U31-380P					
2	Air Valve with Cap	1	U212-160					
3	Water Cell - Vinyl	1	U20-13	U20-9	U20-10	U20-14	U20-20	
4	Cover Flange	1	U31-446P		U31-447P		U231-462P	
5	Flanged Nut 5/16-18 Hex	6	U36-202BT					
6	Base	1	U31-505P		U31-512P			
•	Pump Mounting Bracket	1	TNKBR-P2					

• Not illustrated, sold separately

## Instrucciones importantes de seguridad

**Guarde estas instrucciones** - Este manual contiene instrucciones importantes que se deben seguir durante la instalación y el mantenimiento del bombas de sumidero.

**⚠** Este es un símbolo de alerta sobre la seguridad. Cuando vea este símbolo en su bomba o en este manual, busque para ver si hay alguna de las siguientes palabras de señal y esté alerta a la posibilidad de lesiones personales.

**⚠ PELIGRO** indica un riesgo que, de no evitarse, *provocará* la muerte o lesiones de gravedad.

**⚠ ADVERTENCIA** indica un riesgo que, de no evitarse, *podría provocar* la muerte o lesiones de gravedad.

**⚠ PRECAUCIÓN** indica un riesgo que, de no evitarse, *podría provocar* lesiones leves o moderadas.

**AVISO** hace referencia a una práctica no relacionada con una lesión física.

**Lea y siga cuidadosamente todas las instrucciones de seguridad en este manual y en la bomba.**

Mantenga las etiquetas de seguridad en buenas condiciones. Reemplace las etiquetas de seguridad faltantes o dañadas.

### Advertencia de la Proposición 65 de California

**⚠ ADVERTENCIA** Este producto y accesorios relacionados contienen sustancias químicas reconocidas en el Estado de California como causantes de cáncer, malformaciones congénitas y otros daños al sistema reproductivo.

1. Lea cuidadosamente este manual. La omisión en el respeto de estas instrucciones puede causar graves daños personales, daños a la propiedad o ambas cosas.
2. Consulte al instalador o al fontanero licenciado acerca de la válvula de alivio correcta. Instale el sistema de conformidad con los códigos locales.
3. Siempre verifique la pureza del agua del pozo antes de utilizarla. Consulte con el departamento de salud local sobre los procedimientos de prueba.
4. Antes de instalar o prestar servicios al tanque **ASEGÚRESE DE QUE** la corriente eléctrica a la bomba haya sido desconectada. Reduzca toda la presión de agua antes de trabajar en el tanque o en el sistema. Reduzca la presión de aire antes de retirar la brida de cubierta.
5. Instale una válvula de alivio en la línea de alimentación de la bomba al tanque, tan cerca del tanque como sea posible.
6. **ASEGÚRESE DE QUE** el circuito eléctrico de la bomba esté puesto adecuadamente a tierra.
7. Retire los accesorios con orificios de purga, los controles automáticos del volumen de aire y otros dispositivos de carga de aire del sistema existente.
8. **NO USE** los tanques como supresor de picos de presión.

**⚠ ADVERTENCIA** **Riesgo de explosión.** Para impedir posibles heridas graves o fatales y/o daños al equipo, la presión del sistema debe ser inferior a 100 lib./pulg.<sup>2</sup> (689 kPa) en todo momento. La omisión en el respeto de estas instrucciones puede producir el reventón del tanque. Si la presión de descarga del sistema puede superar las 100 lib./pulg.<sup>2</sup> (689 kPa) instale una válvula capaz de admitir el caudal pleno de la bomba a 100 lib./pulg.<sup>2</sup> (689 kPa).

**⚠ PRECAUCIÓN** **Riesgo de congelamiento.** No permita que la bomba, el tanque o el sistema de tuberías se congelen. El congelamiento puede producir graves daños al equipo, provocar la explosión del tanque y causar lesiones graves. La garantía queda nula si se permite que el tanque se congele.



## Retener el recibo original a fin de determinar la elegibilidad para la garantía

### Garantía limitada

Esta Garantía Limitada entra en vigor el 1 de enero 2013 y sustituye toda garantía sin fecha o garantía con fecha anterior al 1 de enero de 2013.

CountyLine le garantiza al comprador consumidor original (el "Comprador" o "Usted") de sus productos, que éstos estarán libres de defectos en materiales y en mano de obra por un período de doce (12) meses, a partir de la fecha de la compra original del consumidor. Si dentro de los doce (12) meses a partir de la fecha de la compra inicial del consumidor, se comprobara que cualquiera de esos productos es defectuoso, será reparado o reemplazado a opción de CountyLine, sujeto a los términos y condiciones establecidos en la presente. Tome nota de que esta garantía limitada cubre defectos de manufactura solamente y no el desgaste común. Todos los aparatos mecánicos periódicamente necesitan repuestos y servicio para un funcionamiento correcto. Esta garantía limitada no cubre las reparaciones que se realicen cuando el uso normal haya agotado la vida útil de una pieza o del aparato.

Es necesario retener el recibo de compra original y la etiqueta de información de la garantía a fin de determinar la elegibilidad para la garantía. La elegibilidad se basa en la fecha de compra del producto original - no en la fecha del reemplazo bajo la garantía. La garantía es limitada y cubre solamente la reparación o el reemplazo del producto original adquirido, no del producto reemplazado (es decir que se permite un reemplazo por compra bajo la garantía). El comprador pagará todos los costos de remoción, instalación, mano de obra y envío necesarios, así como todo costo adicional asociado.

Si necesita piezas o ayuda para la resolución de problemas, NO devuelva el producto a la tienda minorista. Llame al Departamento de Atención al Cliente de CountyLine al 800-535-4950.

Las reclamaciones hechas bajo esta garantía se realizarán mediante la devolución del producto (a excepción de las bombas cloacales - ver a continuación) al concesionario de venta al público en donde se haya adquirido inmediatamente después de haber descubierto cualquier presunto defecto. CountyLine entonces tomará la medida correctiva tan pronto como sea razonablemente posible. No se aceptarán solicitudes de servicio, si se reciben más de 30 días después del vencimiento de esta garantía.

La garantía no es transferible y no cubre productos utilizados en aplicaciones comerciales o de alquiler.

### Bombas cloacales

NO devuelva una bomba cloacal (que se haya instalado) a su tienda minorista. Comuníquese con el Departamento de Atención al Cliente de CountyLine. Las bombas cloacales que hayan estado en servicio y se hayan removido pueden representar un peligro de contaminación.

Si su bomba cloacal ha fallado:

- Use guantes de caucho cuando manipule la bomba;
- Para los fines de la garantía, devuelva la etiqueta del cordón de la bomba y el recibo de compra original a la tienda minorista;
- Descarte la bomba cumpliendo con todas las normas locales que correspondan para su eliminación.

### Excepciones para la garantía limitada de doce (12) meses

Producto	Período de garantía
CL106, CL108	90 días
CLTS33P, CLSU14	2 años
Bombas de pozo sumergibles de 4"	3 años
Tanque Tanques de presión CLVS50C, CLW750	5 años

### Términos y condiciones generales; Limitación de recursos

Usted deberá pagar por todos los gastos de mano de obra y de envío necesarios para reemplazar el producto cubierto por esta garantía. Esta garantía no se aplicará en las siguientes situaciones: (1) caso de fuerza mayor (2) productos que, a sólo juicio de CountyLine hayan sido sometidos a negligencia, abuso, accidente, mala aplicación, manejo indebido o alteraciones; (3) fallas debido a instalación, operación, mantenimiento o almacenamiento inadecuados; (4) aplicaciones, usos o servicios que no sean normales o aprobados; (5) fallas provocadas por corrosión, herrumbre u otros materiales extraños en el sistema, o una operación a presiones que excedan los máximos recomendados.

Esta garantía establece la única obligación de CountyLine y el recurso exclusivo del Comprador con respecto a los productos defectuosos.

COUNTYLINE NO SE HARÁ RESPONSABLE DE NINGÚN DA—O CONSECUENTE, INCIDENTAL O CONTINGENTE.

LAS GARANTÍAS LIMITADAS QUE ANTECEDEN SON EXCLUSIVAS Y EN LUGAR DE TODA OTRA GARANTÍA EXPLÍCITA E IMPLÍCITA, INCLUYENDO, PERO SIN LIMITARSE A LAS GARANTÍAS IMPLÍCITAS DE COMERCIABILIDAD E IDONEIDAD PARA UN FIN ESPECÍFICO. LAS GARANTÍAS LIMITADAS QUE ANTECEDEN NO SE ESPERERÁN MÁS ALLÁ DEL PERÍODO DE DURACIÓN INDICADO EN LA PRESENTE.

Algunos Estados no permiten la exclusión o limitación de daños incidentales o consecuentes o de limitaciones de tiempo sobre garantías implícitas, de modo que es posible que las limitaciones o exclusiones que preceden no correspondan en su caso. Esta garantía le otorga derechos legales específicos y es posible que Usted también tenga otros derechos que pueden variar de un Estado al otro.

**Información general**

Los tanques que se enumeran a continuación vienen precargados, o llenos de aire de la fábrica, hasta 40 libras por pulgada cuadrada (psi) (276 kPa). Cuando instale el tanque, gradúe la presión del tanque según la *Tabla 1*. Para realizar esto, deje salir todo el aire o agregue aire al tanque a través de la válvula en la parte superior del tanque.

**AVISO** Siempre gradúe o inspeccione la precarga del tanque SIN AGUA en el tanque o presión de agua en el sistema. Si ya ha bombeado agua antes de graduar o chequear la presión precargada, apague la bomba. Abra el grifo hasta que no haya más presión de agua. Gradúe la precarga en el tanque según la *Tabla 1* y luego cierre el grifo y encienda la bomba nuevamente.

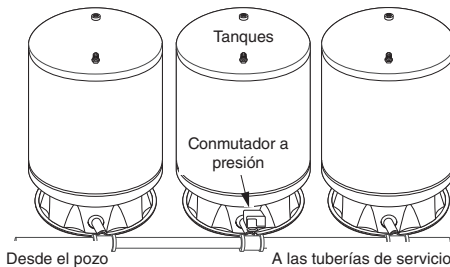
**AVISO** Vuelva a colocar y apriete la tapa de la válvula de aire después de haber graduado la presión correctamente. Si no vuelve a colocar la tapa de aire, esto puede resultar en una pérdida de presión del aire, inundando el tanque y ocasionando fallas en la cisterna.

Cuando el conmutador tanque (psi) a:	Reducir la precarga del a presión está graduado a:
20-40 PSI (138-276 kPa)	18 (124 kPa)
30-50 PSI (207-345 kPa)	28 (193 kPa)
40-60 PSI (276-414 kPa)	38 (262 kPa)

**Tabla 1 - Configuración del depósito de precarga**

(El primer número en el conmutador a presión es el de la bomba en la graduación; el segundo número es el de la bomba no en la graduación).

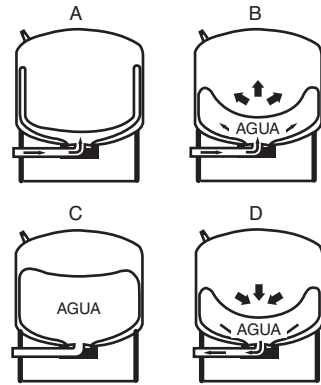
Se pueden conectar tanques de almacenamiento precargados juntos para aumentar la aspiración adicional. La aspiración adicional es la cantidad efectiva de agua utilizable que se encuentra disponible desde el momento en que el tanque está lleno hasta cuando la bomba se enciende. Si se instalan dos tanques del mismo tamaño, esto duplicará el suministro de aspiración adicional, y tres tanques triplicarán el suministro de aspiración adicional (Figura 1). Ubique el conmutador a presión según se ilustra. El tanque y el conmutador a presión no pueden estar a más de 10 pies (3 m) de distancia.



**Figura 1**

**AVISO** La capacidad del tanque es diferente de la aspiración adicional. La capacidad del tanque es el volumen físico efectivo de la hoja de metal que forma el tanque.

**Ciclo de operación**



**Figura 2 - Ciclo de funcionamiento del tanque**

1. El tanque está casi vacío - el aire se expande llenando el área por encima de la cisterna (Figura 2A).
2. El agua entra en el tanque - el aire se comprime por encima de la cisterna a medida que se llena de agua (Figura 2B).
3. Se ha completado el ciclo de bombeo - el aire comprimido está listo para la graduación OFF (apagado) del conmutador a presión (Figura 2C).
4. Aspiración adicional desde el tanque - el aire comprimido en el tanque hace que el agua salga de la cisterna (Figura 2D).
5. La cisterna está vacía - el sistema está listo para comenzar un nuevo ciclo (Figura 2A).

**Instalación**

Conecte el tubo de descarga desde la bomba al tubo en T. Conecte un lado del tubo en T al borde del tanque y el otro lado del tubo en T al servicio. Use tuberías de plástico o de acero según se requiera. Para evitar pérdidas, use cinta sellante de PTFE para roscas de tubería en las roscas macho de todas las conexiones fileteadas al tanque.

**AVISO** Para asegurarse de que no se hayan estropeado las roscas de las juntas de los tubos y de que todas las roscas estén limpias, efectúe primero las conexiones con la mano (sin sellador). Cuando las roscas estén limpias, retire el tubo, agregue la cinta sellante de PTFE para roscas de tubería, y vuelva a efectuar la conexión. Apriete primero con la mano y complete con una llave para tuberías.

Cuando instale un tubo acodado o un tubo corto de empalme en el borde del tanque de plástico, apriételo con la mano y luego déle una vuelta y media con una llave para tuberías. ¡NO APRIETE DEMASIADO!

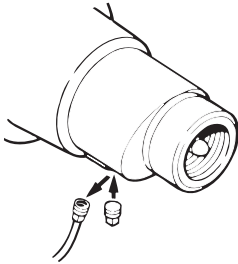
**Reemplazo del tanque estándar**

Cuando se cambia el tanque estándar en un sistema de agua por un tanque precargado, no se requieren orificios de purga ni control de volumen de aire (AVC). Cuando determine el tamaño del tanque precargado para reemplazar un tanque estándar, los tanques deberán tener aspiraciones adicionales equivalentes. Por ejemplo, el tanque precargado modelo CLPT20 tiene una aspiración adicional de 5,8 galones (22 l) y es equivalente a un tanque estándar de 42 galones con una aspiración adicional de 4,3 galones (16,3 l).

**⚠ ADVERTENCIA** Riesgo de choque eléctrico y explosión.

Desconecte toda la corriente eléctrica hacia la bomba y haga salir toda la presión del sistema antes de efectuar trabajos en la bomba, el tanque o en las tuberías.

Para instalaciones de bombas de eyector, retire el tuvo AVC del orificio en el cuerpo de la bomba o el cuerpo del eyector y tape el orificio (ver Figura 3). Las bombas nuevas vienen con tapones instalados.



**Figura 3 - Tape el orificio de AVC (control del volumen de aire) cuando instale el tanque precargado en bombas ya existentes. Las nuevas bombas vienen con el tapón instalado.**

**AVISO** Cuando realice trabajos en bombas sumergibles en pozos, asegúrese de que la cuerda de seguridad esté conectada firmemente a la bomba y a un anclaje seguro en la cabeza del pozo en todo momento. ¡No deje caer la bomba en el pozo!

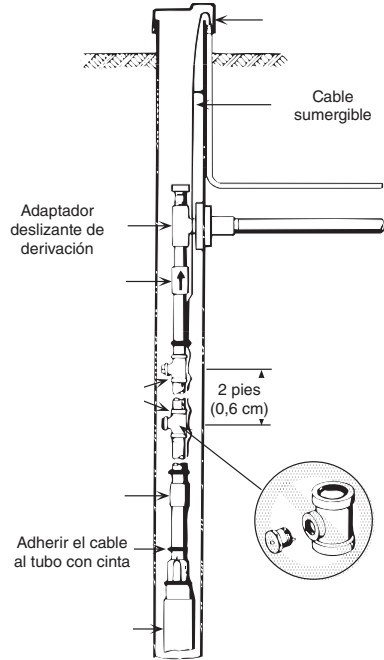
## Orificios de purga

**AVISO** En instalaciones de bombas sumergibles, es posible que hayan orificios de purga en el tubo vertical de descarga. Es necesario quitar estos orificios y tapan los tubos en T cuando se instale un tanque precargado en el sistema. Para realizar esto, eleve la bomba y la tubería de descarga lo suficiente como para que los orificios de purga estén por encima del pozo. Quite los orificios de purga de los tubos en T y sustitúyalos con tapones (ver Figura 4). Los orificios de purga pueden ser de diferentes tamaños. Tenga un par de cada uno de los tapones de 1/2", 3/4" y 1" disponibles. Vuelva a colocar la bomba y a conectar el tubo de descarga.

## Ajuste de la precarga del tanque

En zonas en donde la temperatura permanece elevada durante períodos largos de tiempo, es posible que la presión precargada del tanque aumente. Esto puede reducir la aspiración adicional del tanque (cantidad de agua disponible por ciclo). Si esto ocurre, ajuste la presión precargada según la *Tabla 1*.

Baldee todo el aire del sistema de tuberías y de la porción del depósito de agua en el tanque precargado. Esto se requiere en: nuevas instalaciones, bombas que se deben volver a cebar, y bombas que se han desarmado para servicios de mantenimiento o reparaciones.



**Figura 4**

Se debe realizar lo siguiente:

1. Abra los grifos más lejanos al tanque y haga funcionar la bomba.
2. Haga funcionar la bomba hasta que no haya más chisporroteo y se observe una corriente continua de agua.
3. Abra y cierre los grifos repetidamente hasta que se haya eliminado todo el aire.
4. Si la corriente de agua no es continua, es posible que haya una pérdida de aire hacia el sistema. Verifique que no hayan fugas en las tuberías del lado de aspiración de la bomba.

**AVISO** Para evitar que la bomba se inunde, inspeccione la carga de aire en el tanque anualmente.

### Cómo inspeccionar la carga de aire del tanque

Si la aspiración adicional disminuye en forma drástica, inspeccione lo siguiente:

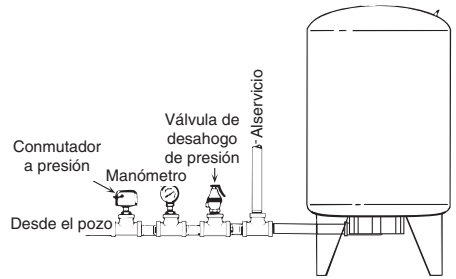
1. Para inspeccionar la carga de aire en el tanque, desconecte el suministro de corriente eléctrica a la bomba, abra el grifo cercano al tanque y drénelo completamente.
2. En la válvula de aire, verifique la presión neumática del tanque con un calibrador de presión neumática. Consulte la *Tabla 1* para la graduación correcta de presión. Si se requiere, ajuste la presión del tanque hacia arriba o hacia abajo.
3. Use jabón o un detergente líquido para verificar que no hayan fugas de aire alrededor de la válvula de aire. Un continuo burbujeo indica pérdidas. Si es necesario, libere la presión de aire e instale un nuevo núcleo en la válvula de aire (igual al que se usa para las llantas de automóviles sin cámara interior.)

**Prueba de pérdida en la cisterna**

1. Desconecte la corriente eléctrica hacia la bomba.
2. Drene el agua de la cisterna del tanque abriendo el grifo más cercano al tanque.
3. Saque la tapa de la válvula y libere toda la presión, presionando el núcleo de la válvula. Cuando no salga más aire de la válvula, retire el núcleo de la válvula para liberar la presión restante.
4. Desconecte la tubería del codo en el reborde cobertor del tanque.
5. Invierta el tanque con cuidado o colóquelo sobre un costado.

**⚠ ADVERTENCIA** **Piezas pesadas.** El agua que haya quedado retenida en el tanque puede ocasionar un cambio repentino de peso cuando se esté bajando. Soporte el tanque para que no se caiga cuando lo esté bajando o invirtiendo.

6. Si hay fugas en la cisterna, el agua se escapará de la válvula. Si esto sucede, se deberá cambiar la cisterna.
7. Si cambia la cisterna, asegúrese de dejar salir las presiones de aire y de agua antes de retirar el reborde cobertor. Cuando vuelva a armar el reborde cobertor, no apriete las tuercas o los pernos de montaje más de 85 pulgadas-libra (9,6 Nm).



**Figura 5 - Instalación típica con un tanque precargado vertical y bombas de pozo sumergibles**

**AVISO** Cuando use tubos de metal con accesorios de plástico, use solamente cinta sellante de PTFE para roscas de tubería en las roscas macho.

**AVISO** La mayoría de los tanques tiene orificios separados de entrada y de salida. Los tanques precargados poseen un orificio para ambas funciones. Cuando sustituya un tanque estándar con un tanque precargado, haga correr un tubo desde la bomba hacia el tubo en T según se ilustra. La segunda pata del tubo en T va al codo del tanque; la tercera pata va al servicio ya existente.

**Información sobre el producto – Tanques precargados**

Modelo	Aspiración adicional - Galones (L)		
	20 a 40 lib./pulg. <sup>2</sup> (138 a 276kPa)	30 a 50 lib./pulg. <sup>2</sup> (207 a 345kPa)	40 a 60 lib./pulg. <sup>2</sup> (276 a 414kPa)
CLPT20	6.9 (26.1)	5.8 (22)	5.0 (18.9)
CLPT20H	6.9 (26.1)	5.8 (22)	5.0 (18.9)
CLPT36	12.7 (48.1)	10.7 (40.5)	9.3 (35.2)
CLPT52	18.3 (69.3)	15.5 (58.7)	13.4 (50.7)
CLPT85	30.0 (113.6)	26.0 (98.4)	22.0 (83.3)
CLPT119	41.3 (156.3)	35.4 (134.0)	31.0 (117.3)

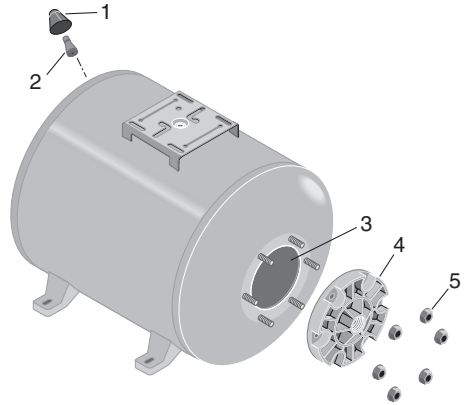
Modelo	Capacidad máxima - Galones U.S. (L)	Equivalente a Tanque estándar Galones U.S. (L)	Diámetro del tanque (mm)	Altura del tanque (mm)	Rosca de descarga del tanque
CLPT20	19 (72)	42 (159)	16" (406)	30-1/8" (765)	1"
CLPT20H	19 (72)	42 (159)	16" (406)	*24-5/8" (625)	1"
CLPT36	35 (132)	82 (310)	20" (508)	36-1/4" (921)	1"
CLPT52	50 (189)	120 (454)	24" (610)	34-3/4" (883)	1-1/4"
CLPT85	85 (322)	220 (833)	24" (610)	54" (1372)	1-1/4"
CLPT119	119 (450)	320 (1211)	24" (610)	68" (1727)	1-1/4"

\* Largo global: este modelo es un tanque horizontal.

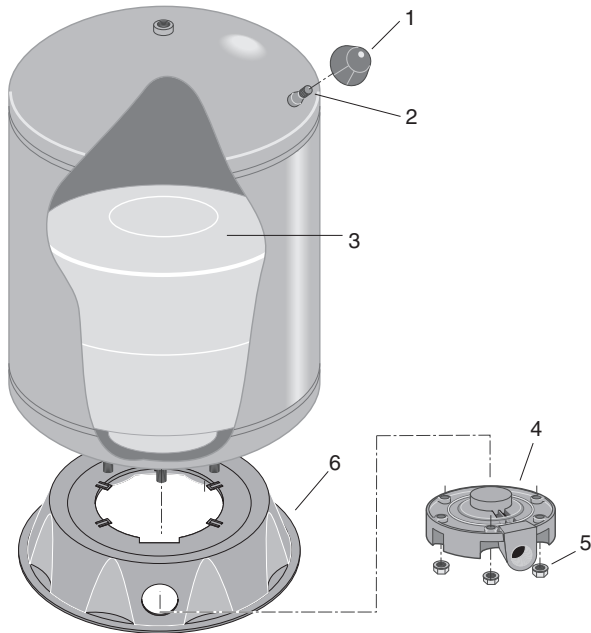
**CLPT20H**

Ref.	Descripción	Cant.	CLPT20H
1	Cubierta de la válvula de aire	1	U31-380P
2	Valvula de aire con tapa	1	U212-160
3	Cisterna - vinilo	1	U20-13
4	Reborde cobertor y codo	1	U31-446P
5†	Tuerca de bridas - 5/16 - 18	6	U36-202BT

† Se pueden adquirir a nivel local



- CLPT20\***
- CLPT36\***
- CLPT52\***
- CLPT85\***
- CLPT119\***



\* No cuentan con soporte de bomba. Instale la bomba al lado del tanque.

Ref.	Descripción	Cant.	CLPT20	CLPT36	CLPT52	CLPT85	CLPT119
1	Cubierta de la válvula de aire	1	U31-380P				
2	Valvula de aire con tapa	1	U212-160				
3	Cisterna - vinilo	1	U20-13	U20-9	U20-10	U20-14	U20-20
4	Reborde cobertor y codo	1	U31-446P		U31-447P		U231-462P
5	Tuerca de bridas - 5/16 - 18	6	U36-202BT				
6	Base	1	U31-505P		U31-512P		
•	Bompear soporte de montaje	1	TNKBR-P2				

• No ilustrado, se vende por separado

THIS PAGE INTENTIONALLY LEFT BLANK

THIS PAGE INTENTIONALLY LEFT BLANK

