



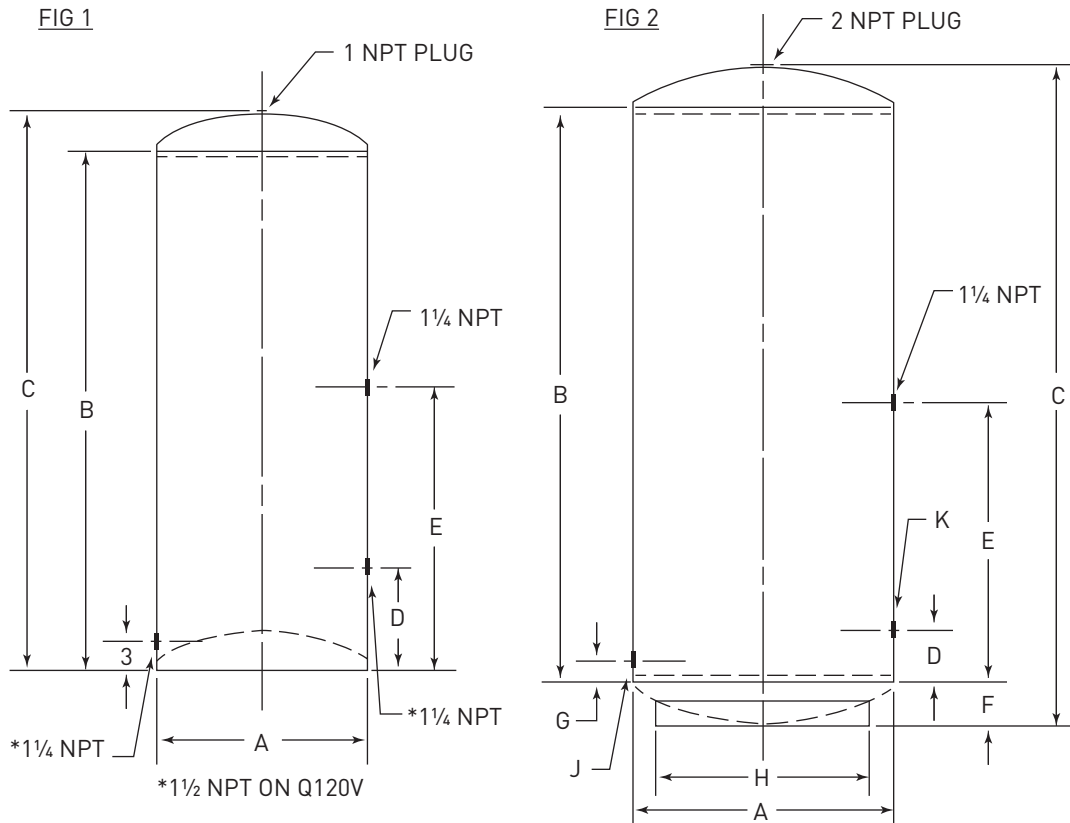
COUNTYLINE®

NON-CODE QC61® GALVANIZED VERTICAL TANKS

NSF/ANSI® STANDARD 61 CERTIFIED LINING

GALVANIZED VESSEL CERTIFIED TO NSF/ANSI STANDARDS 61-ANNEX G and 372

75 PSIG WORKING PRESSURE



FOR 525 & 900 GALLON TANKS, SEE DATA SHEET 104-COMBOS

Gallons	Weights	Fig#	Nominal Dimensions (Inches)								NPT	
			A	B	C	D	E	F	G	H	J	K
12	27	1	12	24	26 1/2	5	13	-	-	-	-	-
21	45	1	16	24	26 7/8	5	13	-	-	-	-	-
30	52	1	16	36	38 3/4	8	17	-	-	-	-	-
42	71	1	16	36	51	12	26	-	-	-	-	-
82	114	1	20	60	63	12	33	-	-	-	-	-
120	154	1	24	60	64 1/2	12	33	-	-	-	-	-
220	303	2	30	66	78	6	32	6	2 1/2	24 1/4	2	2
315	416	2	36	66	79 1/2	6	32	7	2 1/2	30 1/2	2	2
480	640	2	42	72	87	6	32	7 1/2	2 1/2	36	2	3

293 WRIGHT STREET, DELAVAN, WI 53115 WWW.STA-RITE.COM
PH: 262-728-5551

© 2017 Pentair plc. All Rights Reserved.

CL12273 (Rev. 09/26/2017)