

5-Gallon Manual Lever Oil Transfer Pump User's Manual



MODEL NO.: 3002378

Specification

Fitment of the pump to the 5-gallon drum	
Inlet port	1-3/8 in.
Outlet port	1-1/32 in
Flow rate per stroke	3oz.
Hose length	5ft.

Save This Manual

You will need the manual for the safety warnings and precautions, assembly instructions, operating and maintenance procedures, parts list and diagram. Keep your invoice with this manual. Write the invoice number on the inside of the front cover. Keep the manual and invoice in a safe and dry place for future reference.

⚠ WARNINGS AND PRECAUTIONS

WARNING: When using the pump, basic safety precautions should always be followed to reduce the risk of personal injury and damage to equipment. Read all instructions before using this pump!

1. **Keep work area clean.**
2. **Observe appropriate work area conditions.** Do not use the pump in damp or wet locations. Don't expose to rain. Keep work area well lighted.
3. **Keep children away.** Children must never be allowed in the work area. Do not let them handle the pump. Locate the pump in an area out of reach of children.
4. **Store idle equipment.** When not in use, the pump must be stored in a dry location to inhibit rust. Always lock up the

pump and keep out of reach of children.

5. **Use the right tool for the job.** Do not attempt to force a small pump or attachment to do the work of a larger industrial pump. There are certain applications for which this pump was designed. It will do the job better and more safely at the rate for which it was intended. Do not modify this pump and do not use this tool for a purpose for which it was not intended.
6. **Dress properly.** Do not wear loose clothing or jewelry as they can be caught in moving parts. Protective, electrically non-conductive clothes and non-skid footwear are recommended when working. Wear restrictive hair covering to contain long hair.
7. **Use eye protection.** Always wear ANSI approved impact safety goggles.
8. **Do not overreach.** Keep proper footing and balance at all times. Do not reach over or across running machines.
9. **Maintain pump with care.** Keep the pump clean for better and safer performance. The handle must be kept clean, dry, and free from oil and grease at all times.
10. **Check for damaged parts.** Before using any pump, any part that appears damaged should be carefully checked to determine that it will operate properly and perform its intended function. Check for alignment and binding of moving parts, any broken parts or mounting fixtures and any other condition that may affect proper operation. Any part that is damaged should be properly repaired or replaced by a qualified technician.
11. **Replacement parts and accessories.** When servicing, use only identical replacement parts. Use of any other parts will void the warranty. Only use accessories intended for use with this tool.
12. **Do not operate pump if under the influence of alcohol or drugs.** Read warning labels if taking prescription medicine to determine if your judgement or reflexes are impaired while taking drugs. If there is any doubt, do not operate the pump.
13. **Maintenance.** For your safety, maintenance should be performed regularly by a qualified technician.

Fluid compatibility

If in doubt about compatibility of a specific fluid, contact supplier of fluid to check for any adverse reactions to the wetted materials.

The pump is compatible with the following fluids:

- Transmission, differential and heavier oils

Do not use the pump with the following fluids:

- Gasoline, Fuel, Water, Sulfuric acid, Naphtha, Methanol, Methyl Ethyl Ketone (MEK), Acetone, Ammonia, Benzene, Bleach, Chlorine.

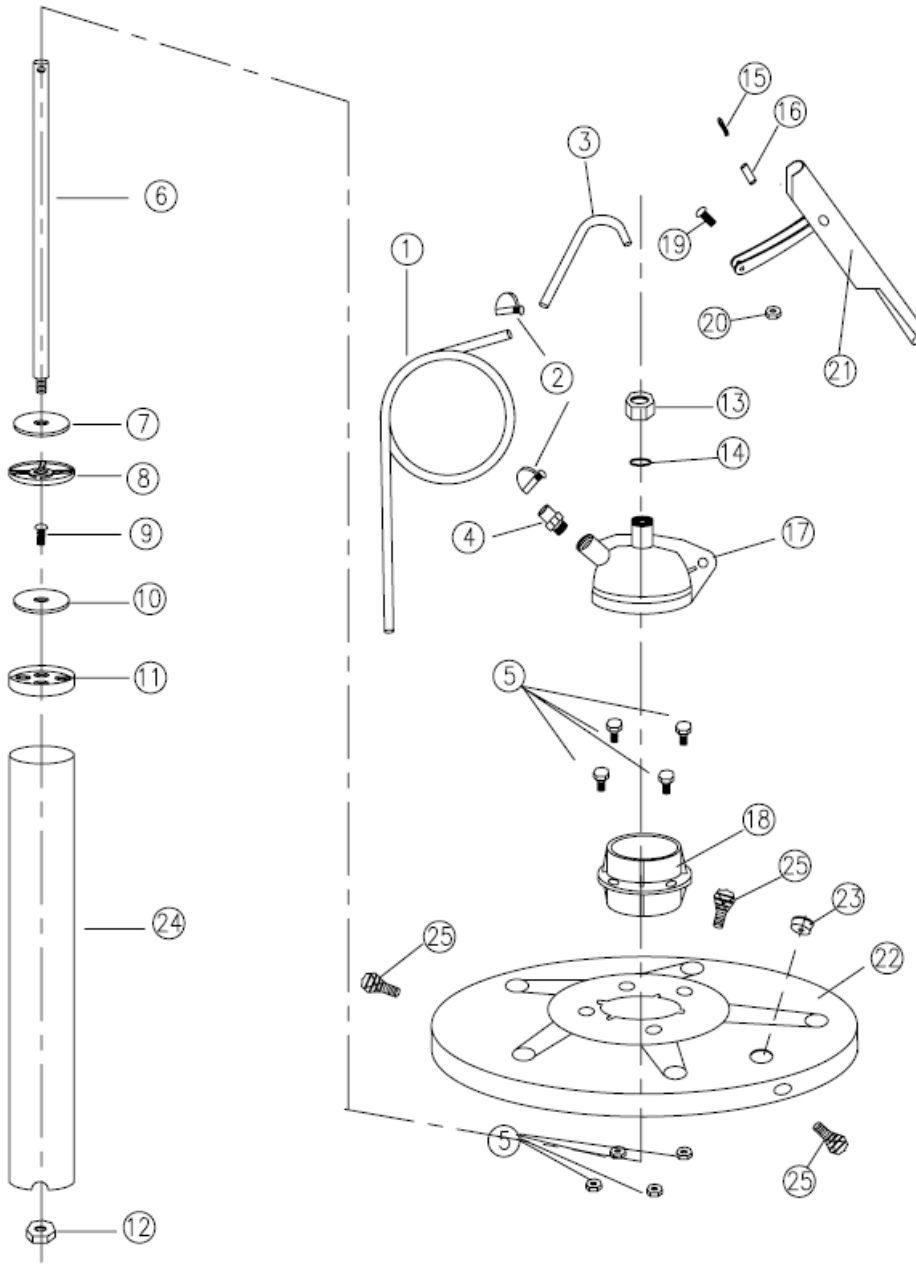
Fitment of the pump to the 5-gallon drum

1. Take out the pail (No. 22), tighten it with the manual pump by pump base (No. 18)
2. Take out the lock pin (No. 15) to fix the pump handle.
3. Fix the pump kit on the 5-gallon drum by screw (No. 25)

Maintenance

1. Before each use, inspect the general condition of the pump. Check for broken or bent parts, loose or missing parts, and any condition that may affect the proper operation of the product. If a problem occurs, have the problem corrected before further use.
2. Periodically, use a light lubricant on the handle's pivot parts.
3. Keep the suction and delivery ports free of dirt and debris.
4. After each use, wipe off the unit. Store in a clean dry place, out of reach of children.

Diagram & parts list



Part No.	Description	Quantity
1	PVC hose	1
2	Hose clamp	2
3	Pump spout	1
4	Hose tail	1
5	Screw	4
6	Steel press rod	1
7	Valve	1
8	Plastic piston	1
9	Screw	1
10	Valve	1
11	Valve	1
12	Nut	1
13	Nut	1
14	O-ring	1
15	Lock pin	1
16	Pin	1
17	Tee fitting	1
18	Pump base	1
19	Screw	2
20	Nut	2
21	Pump handle	1
22	Pail	1
23	Plug	1
24	Suction tube	1
25	Screw	2