

# INSTALLATION INSTRUCTIONS

## FORD F-350, F-450, & F-550

### With 34" Frame

Product No.  
**37088**

SMALL PARTS  
PACKAGE F37088

**TOWING PRODUCTS**

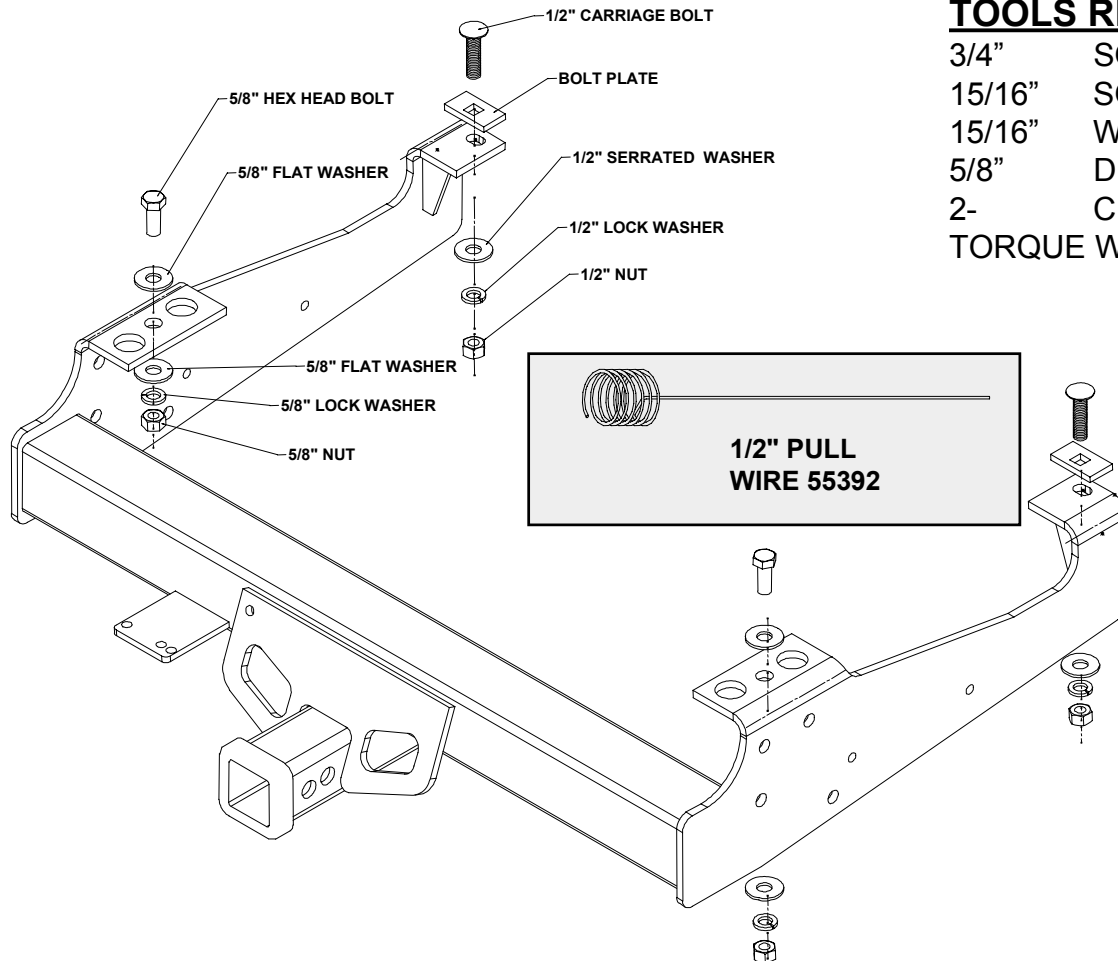
PLYMOUTH, MI

**WARNING:** DO NOT LUBRICATE THREADS, BOLT FAILURE MAY OCCUR DUE TO OVER TIGHTENING.  
**WARNING:** DO NOT DRILL OR WELD TO THIS HITCH.

**IMPORTANT NOTES**  
USE ONLY TOWING PRODUCTS SUPPLIED OR APPROVED BOLTS, LOCKNUTS, AND WASHERS TO INSTALL THIS HITCH

### TOOLS REQUIRED

3/4"	SOCKET
15/16"	SOCKET
15/16"	WRENCH
5/8"	DRILL
2-	CLAMPS
	TORQUE WRENCH



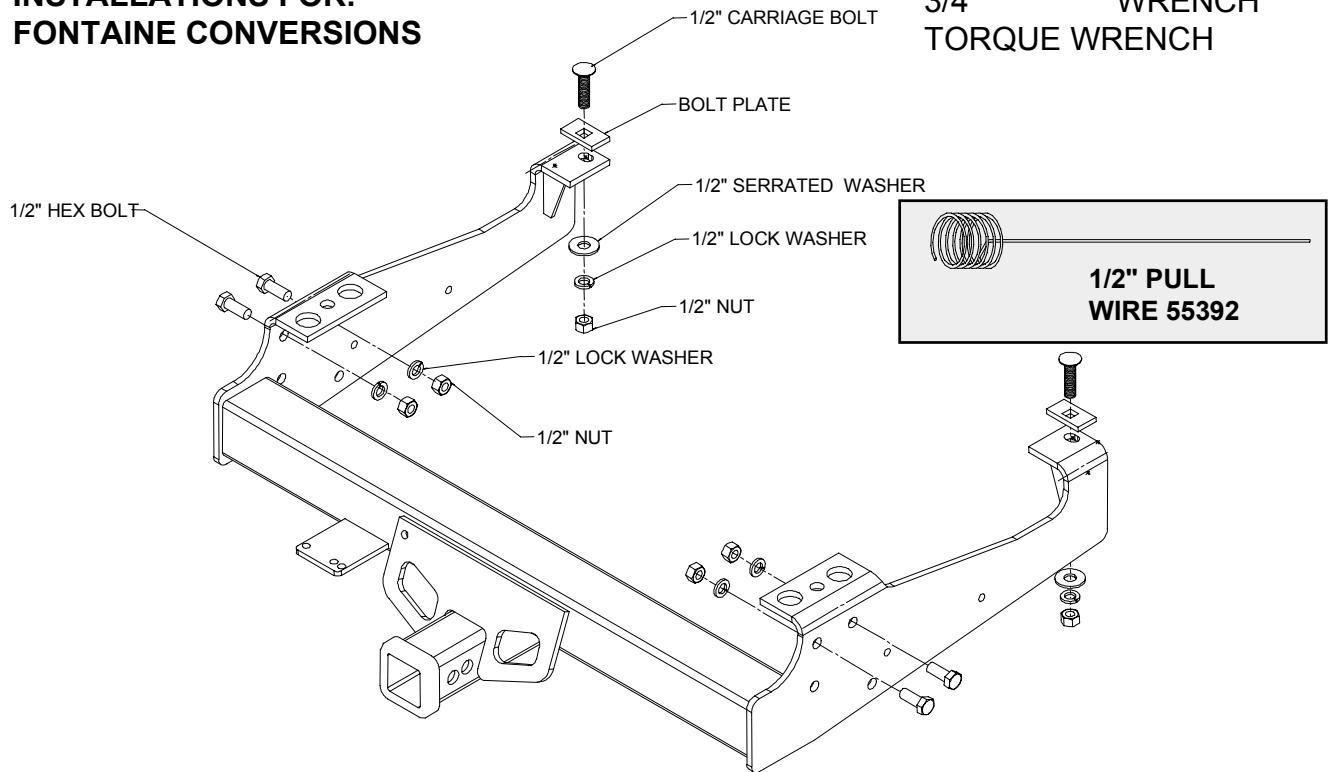
1. Hold the hitch up under the frame. Position the holes in the brackets over the rivet heads at the rear of the frame. Clamp the hitch in place.
2. Install 1/2" carriage bolts with bolt plates down through the holes in the frame beside the spring hangers. Install 1/2" serrated washers, 1/2" lock washers, and 1/2" nuts on the bolts. See diagram above. It may be necessary to screw the 1/2" carriage bolt with bolt plate onto the pull wire. Some gas tanks will limit access to the hole inside the frame. Use the pull wire to pull the bolt into the hole in the frame. Feed the wire through from a more open area in the frame.
3. Using the rear holes in the bracket as a guide, drill a 5/8" hole into the bottom of the frame. Install the 5/8" bolts with 5/8" flat washers down through the frame and through the brackets. Install 5/8" flat washers, 5/8" lock washers, and 5/8" nuts on the bolts. See diagram above.
4. Torque 5/8" nuts to 115 ft\*lbs.  
Torque 1/2" nuts to 70 ft\*lbs.

(OVER)

## INSTALLATIONS FOR: FONTAINE CONVERSIONS

## TOOLS REQUIRED

3/4" SOCKET  
3/4" WRENCH  
TORQUE WRENCH



1. Hold the hitch up under the frame. Position the holes in the brackets over the rivet heads at the rear of the frame.
2. Insert 1/2" hex head bolts into the plate that extends down from the frame. Install 1/2" lock washers, and 1/2" nuts on all four bolts. See diagram above. It may be necessary to screw the 1/2" carriage bolt with bolt plate onto the pull wire. Some gas tanks will limit access to the hole inside the frame. Use the pull wire to pull the bolt into the hole in the frame. Feed the wire through a more open area in the frame.
2. Install 1/2" carriage bolts with bolt plates down through the holes in the frame beside the spring hangers. Install 1/2" serrated washers, 1/2" lock washers, and 1/2" nuts on the bolts. See diagram above.
4. Torque 1/2" nuts to 70 ft\*lbs.

THIS PRODUCT COMPLIES WITH SAFETY SPECIFICATION AND REQUIREMENTS FOR THE STATE OF NEW YORK AND VESC REGULATION V-5 FOR CONNECTING DEVICES AND TOWING SYSTEMS. WEIGHT DISTRIBUTING HITCH RATING IS 12000 LB. MAX. GROSS TRAILER WEIGHT AND 1200 LB. MAX. TONGUE WEIGHT. WEIGHT CARRYING HITCH RATING IS 7500 LB MAX GROSS TRAILER WEIGHT AND 750 LB MAX TONGUE WEIGHT. CONSULT VEHICLE OWNERS MANUAL FOR TOWING RECOMMENDATIONS AND LIMITATIONS.

## LIMITED WARRANTY

Towing Products warrants its Hitches, custom Hitch Receivers, and Sway Controls from date of purchase against defects in material and workmanship under normal use and service, ordinary wear excepted, for the ownership life of the original consumer purchaser. Towing Products will replace FREE OF CHARGE any part which proves defective in material or workmanship when presented to any Towing Products dealer, Towing Products Warehouse, or returned to factory, TRANSPORTATION CHARGES PREPAID, at the address below. THIS WARRANTY IS LIMITED TO DEFECTIVE PARTS REPLACEMENT ONLY. LABOR CHARGES AND/OR DAMAGE INCURRED IN INSTALLATION OR REPLACEMENT AS WELL AS INCIDENTAL AND CONSEQUENTIAL DAMAGES CONNECTED THEREWITH ARE EXCLUDED. Some states do not allow the exclusion or limitation of incidental or consequential damages, so the above limitation or exclusion may not apply to you. Any damage to the Hitch, Custom Hitch receiver or Sway Control as a result of misuse, abuse, neglect, accident, improper installation, or any use violative of instructions furnished by Towing Products, WILL VOID THE WARRANTY.

This warranty gives you specific legal rights, and you may also have other rights which vary from state to state. In the event of a problem with warranty service or performance, you may be able to go to a small claims court, a state court, or a federal district court.

Towing Products  
PO Box 8102  
47774 Anchor Ct.  
Plymouth, MI 48170

Towing Products  
2351 Winston Park Drive  
Oakville, Ontario  
Canada L6H6R7