

# REESE

You *can* take it with you.

## INSTALLATION INSTRUCTIONS

### CHEVY & GMC PICKUP

ELKHART, IN., OAKVILLE, ONT.

Product No.

# 37016

SMALL PARTS  
PACKAGE 37431

**WARNING:** DO NOT LUBRICATE THREADS, BOLT FAILURE MAY OCCUR DUE TO OVER TIGHTENING.  
**WARNING:** DO NOT DRILL OR WELD TO THIS HITCH.

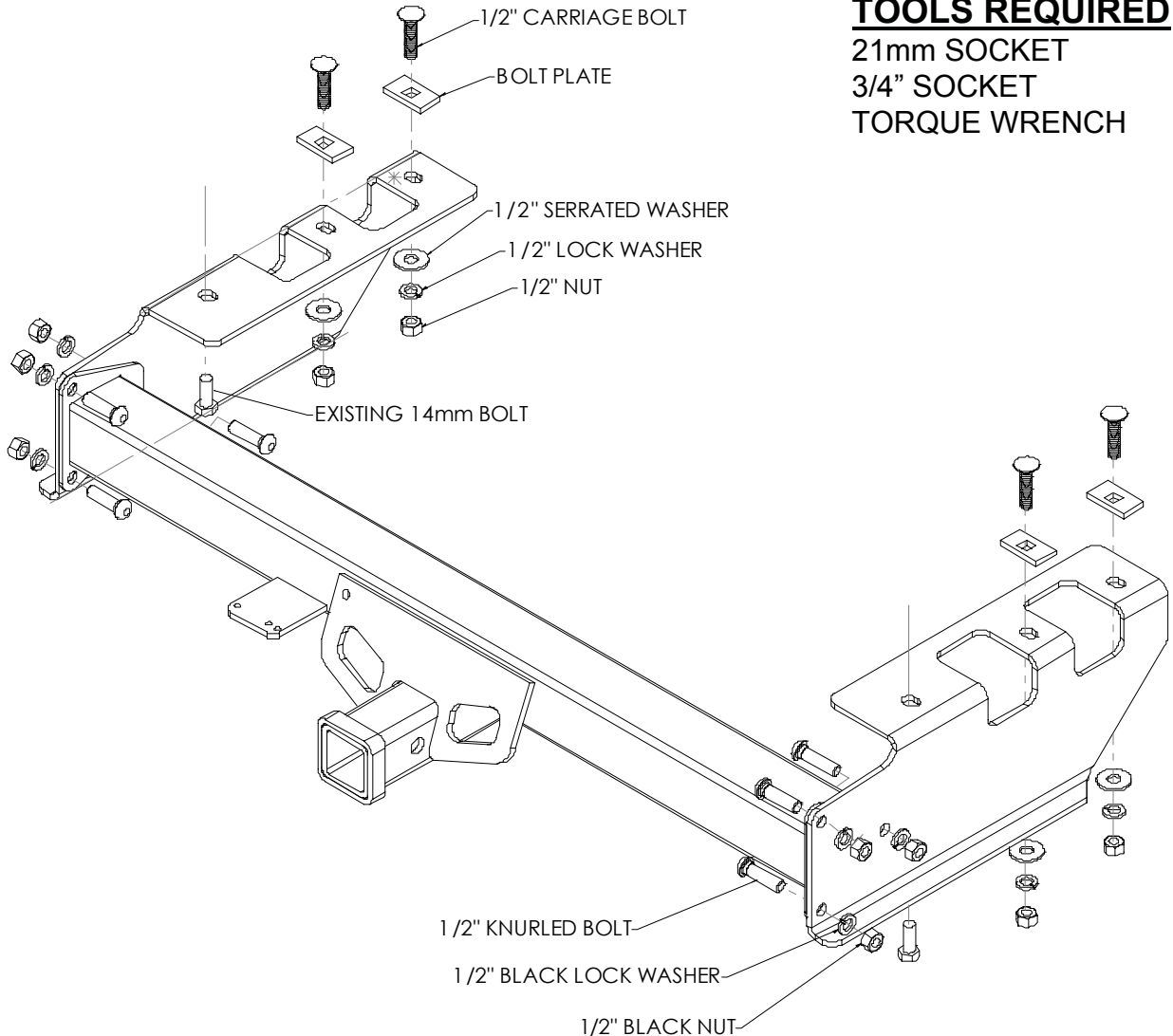
**IMPORTANT NOTES**  
USE ONLY REESE SUPPLIED OR APPROVED BOLTS, LOCKNUTS, AND WASHERS TO INSTALL THIS HITCH

### TOOLS REQUIRED

21mm SOCKET

3/4" SOCKET

TORQUE WRENCH



1. Remove the 14mm bolt from the bottom of the bumper bracket on both sides of the vehicle. Align the brackets with these holes and install the two existing 14mm bolts.

2. Insert the 1/2" carriage bolts through the bolt plates and down through the remaining holes in the frame and install 1/2" serrated washer, 1/2" lock washer, and 1/2" nut. Leave all nuts loose.

**(OVER)**

For Installation Assistance or Technical Help, Call 1-800-758-0869

3. Place center section between the brackets and insert the 1/2" black knurled bolts through the holes in the brackets. Install the 1/2" black lock washers and 1/2" black nuts. Tighten nuts until the knurled bolt heads seat against the bracket.

4. Torque all 14mm bolts to 85 ft\*lb\*.  
Torque all 1/2" bolts to 70 ft\*lb\*.

**For Installation Assistance or Technical Help, Call 1-800-758-0869**

THIS PRODUCT COMPLIES WITH SAFETY SPECIFICATION AND REQUIREMENTS FOR THE STATE OF NEW YORK AND VESC REGULATION V-5 FOR CONNECTING DEVICES AND TOWING SYSTEMS. WEIGHT DISTRIBUTING HITCH RATING IS 12000 LB. MAX. GROSS TRAILER WEIGHT AND 1200 LB. MAX. TONGUE WEIGHT. WEIGHT CARRYING HITCH RATING IS 7500 LB MAX GROSS TRAILER WEIGHT AND 750 LB MAX TONGUE WEIGHT. CONSULT VEHICLE OWNERS MANUAL FOR TOWING RECOMMENDATIONS AND LIMITATIONS.

## **LIMITED WARRANTY**

Reese warrants its Hitches, custom Hitch Receivers, and Sway Controls from date of purchase against defects in material and workmanship under normal use and service, ordinary wear and excepted, for the ownership life of the original consumer purchaser. Reese will replace FREE OF CHARGE any part which proves defective in material or workmanship when presented to any Reese dealer, Reese Warehouse or return to factory. TRANSPORTATION CHARGES PREPAID, at the address below. THIS WARRANTY IS LIMITED TO DEFECTIVE PARTS REPLACEMENT ONLY. LABOR CHARGES AND/OR DAMAGE INCURRED IN INSTALLATION OR REPLACEMENT AS WELL AS INCIDENTAL AND CONSEQUENTIAL DAMAGES CONNECTED THEREWITH ARE EXCLUDED. Some states do not allow the exclusion or limitation of incidental or consequential damages, so the above limitation or exclusion may not apply to you. Any damage to the Hitch, Custom Hitch receiver or Sway Control as a result of misuse, abuse, neglect, accident, improper installation, or any use violative of instructions furnished by us, WILL VOID THE WARRANTY. This warranty gives you specific legal rights, and you may also have other rights which vary from state to state. In the event of a problem Reese warrants its Hitches, Custom Hitch Receivers and Sway Controls from date of purchase against defects in material and workmanship under normal use and service, ordinary wear and tear excepted, for the ownership life of the original consumer purchaser.

with warranty service or performance, you may be able to go to a small claims court, a state court, or a federal district court.

Reese Products, Inc.  
51671 State Road 19-N  
Elkhart, IN 46514

Reese Products of Canada, Ltd.  
475 Wycroft Road  
Oakville, Ontario  
Canada L6K2H2