

REESE

INSTALLATION INSTRUCTIONS

Product No.

FORD EXPLORER

37012

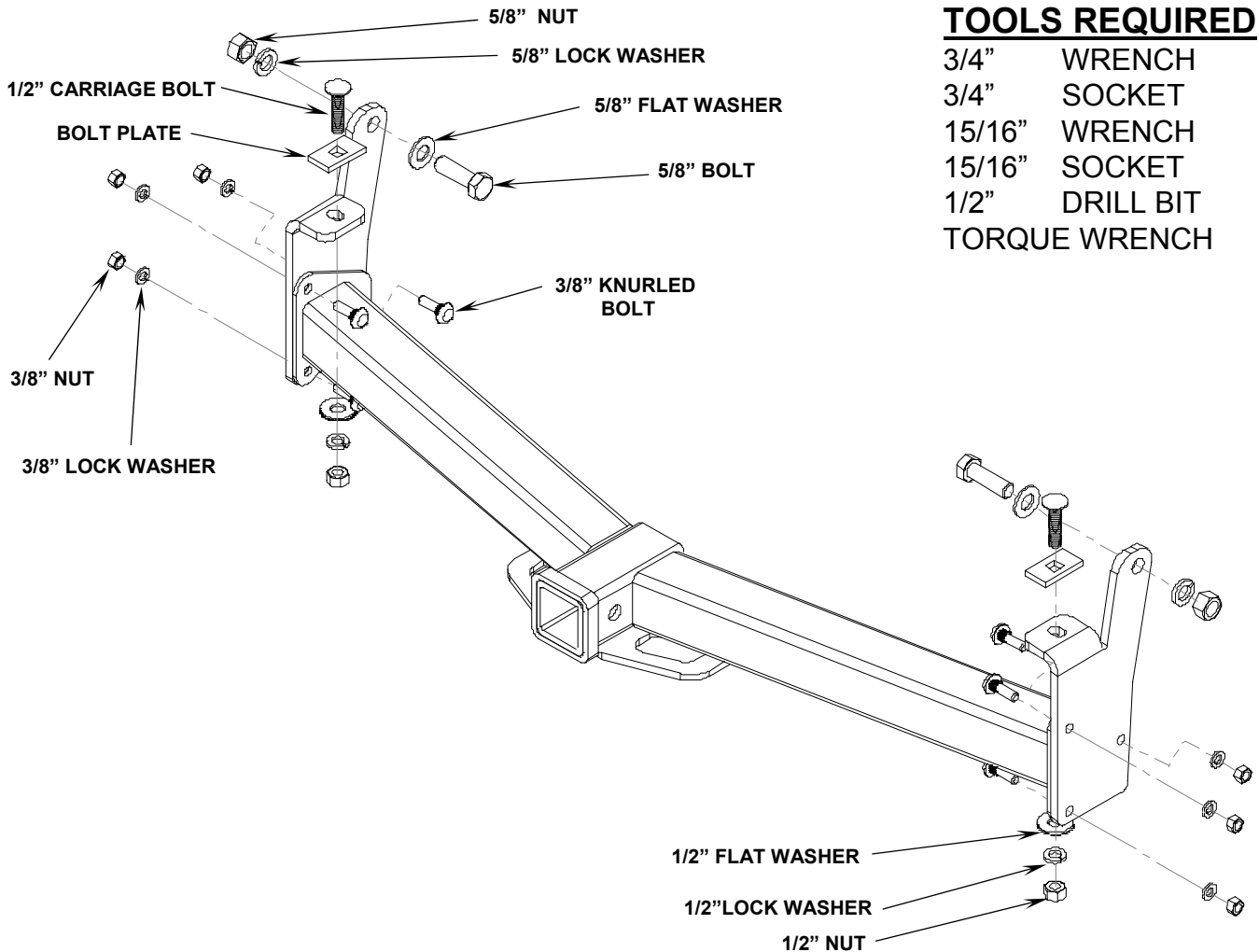
You *can* take it with you.

ELKHART, IN., OAKVILLE, ONT.

SMALL PARTS
PACKAGE 37340

WARNING: DO NOT LUBRICATE THREADS, BOLT FAILURE MAY OCCUR DUE TO OVER TIGHTENING.
WARNING: DO NOT DRILL OR WELD TO THIS HITCH.

IMPORTANT NOTES
USE ONLY REESE SUPPLIED OR APPROVED BOLTS, LOCKNUTS, AND WASHERS TO INSTALL THIS HITCH.



TOOLS REQUIRED

3/4" WRENCH
3/4" SOCKET
15/16" WRENCH
15/16" SOCKET
1/2" DRILL BIT
TORQUE WRENCH

PRE-1997

1. Mount side brackets to the frame using the 5/8" bolt, 5/8" flat washer, 5/8" lock washer, and 5/8" nut. Leave nut loose. Mount center section between the side brackets using the 3/8" knurled bolts, 3/8" lock washers, and 3/8" nuts. Hand tighten all of the nuts.
2. Using the 1/2" hole in the flange mark the frame and drill a 1/2" hole in the frame. Install 1/2" carriage bolt, bolt plate, 1/2" flat washer, 1/2" lockwasher, and 1/2" nut on both sides.
3. Torque 5/8" nuts to 100 lb*ft.
Torque 1/2" nuts to 70 lb*ft.
Torque 3/8" nuts to 35 lb*ft.

(OVER)

For Installation Assistance or Technical Help, Call 1-800-758-0869

1997-CURRENT

NOTE: Sport versions will need to remove the tow hook to install the hitch.

- 1. Mount side brackets to the frame using the 5/8" bolt, 5/8" flat washer, and 5/8" lock washer, and 5/8" nut. Install 1/2" carriage bolt, bolt plate, 1/2" flat washer, 1/2" lockwasher, and 1/2" nut on both sides. Leave nut loose.**
- 2. Mount center section between the side brackets using the 3/8" knurled bolts, 3/8" lock washers, and 3/8" nuts.**
- 3. Torque 5/8" nuts to 100 lb*ft.
Torque 1/2" nuts to 70 lb*ft.
Torque 3/8" nuts to 35 lb*ft.**

For Installation Assistance or Technical Help, Call 1-800-758-0869

THIS PRODUCT COMPLIES WITH SAFETY SPECIFICATION AND REQUIREMENTS FOR THE STATE OF NEW YORK AND VESC REGULATION V-5 FOR CONNECTING DEVICES AND TOWING SYSTEMS. WEIGHT DISTRIBUTING HITCH RATING IS 6000 LB. MAX. GROSS TRAILER WEIGHT AND 600 LB. MAX. TONGUE WEIGHT. WEIGHT CARRYING HITCH RATING IS 5000 LB MAX GROSS TRAILER WEIGHT AND 500 LB MAX TONGUE WEIGHT. CONSULT VEHICLE OWNERS MANUAL FOR TOWING RECOMMENDATIONS AND LIMITATIONS.

LIMITED WARRANTY

Reese warrants its Hitches, custom Hitch Receivers, and Sway Controls from date of purchase against defects in material and workmanship under normal use and service, ordinary wear and excepted, for the ownership life of the original consumer purchaser.

Reese will replace FREE OF CHARGE any part which proves defective in material or workmanship when presented to any Reese dealer, Reese Warehouse or return to factory. TRANSPORTATION CHARGES PREPAID, at the address below. THIS WARRANTY IS LIMITED TO DEFECTIVE PARTS REPLACEMENT ONLY. LABOR CHARGES AND/OR DAMAGE INCURRED IN INSTALLATION OR REPLACEMENT AS WELL AS INCIDENTAL AND CONSEQUENTIAL DAMAGES CONNECTED THEREWITH ARE EXCLUDED. Some states do not allow the exclusion or limitation of incidental or consequential damages, so the above limitation or exclusion may not apply to you. Any damage to the Hitch, Custom Hitch receiver or Sway Control as a result of misuse, abuse, neglect, accident, improper installation, or any use violative of instructions furnished by us, WILL VOID THE WARRANTY.

This warranty gives you specific legal rights, and you may also have other rights which vary from state to state. In the event of a problem Reese warrants its Hitches, Custom Hitch Receivers and Sway Controls from date of purchase against defects in material and workmanship under normal use and service, ordinary wear and tear excepted, for the ownership life of the original consumer purchaser. with warranty service or performance, you may be able to go to a small claims court, a state court, or a federal district court.

Reese Products, Inc.
51671 State Road 19-N
Elkhart, IN 46514

Reese Products of Canada, Ltd.
475 Wycroft Road
Oakville, Ontario
Canada L6K2H2