

REESE

INSTALLATION INSTRUCTIONS

Product No.

GM FULL SIZE VAN

37004

You *can* take it with you.

ELKHART, IN., OAKVILLE, ONT.

SMALL PARTS
PACKAGE 37216

WARNING: DO NOT LUBRICATE THREADS, BOLT FAILURE MAY OCCUR DUE TO OVER TIGHTENING.

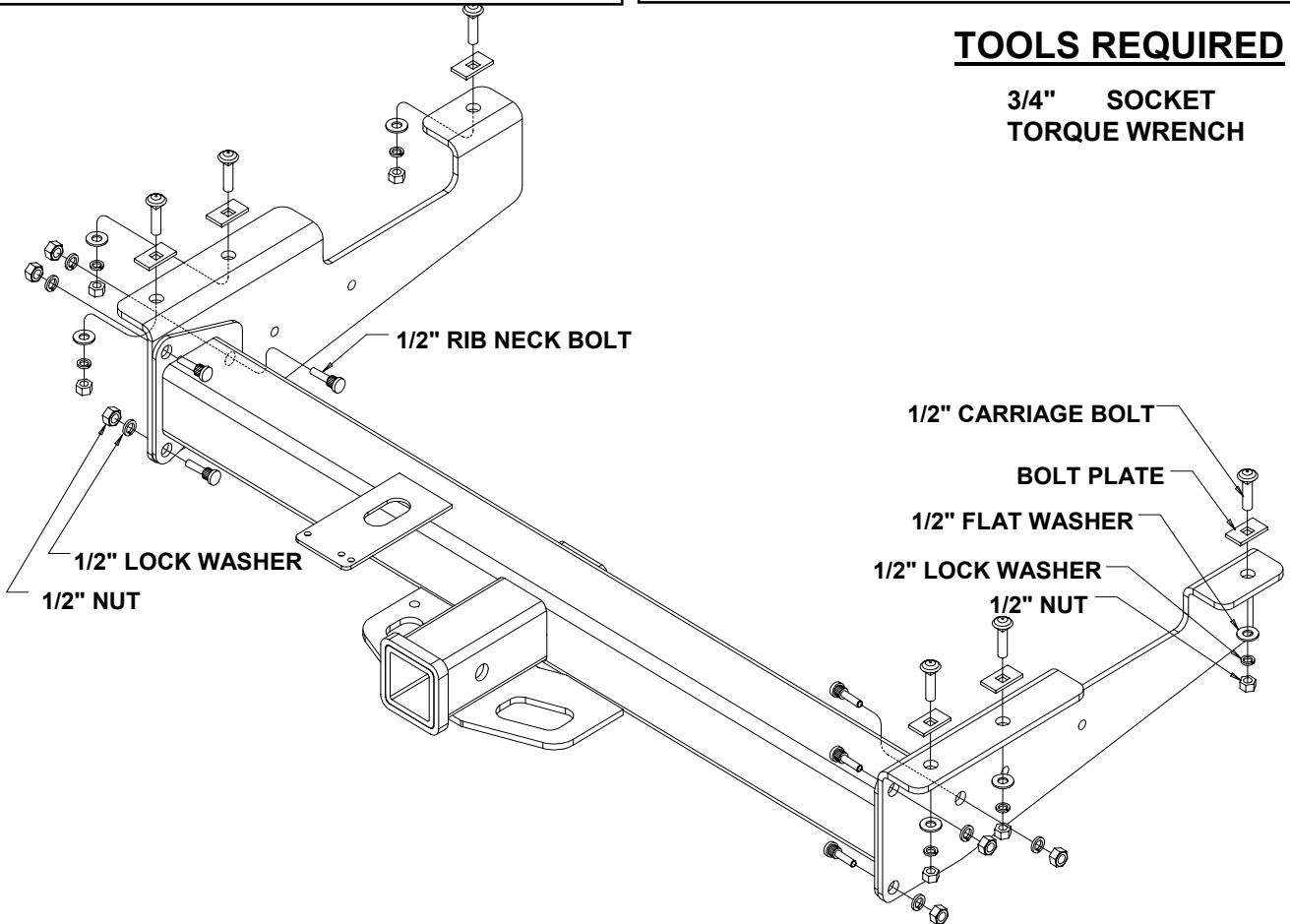
WARNING: DO NOT DRILL OR WELD TO THIS HITCH.

IMPORTANT NOTES

USE ONLY REESE SUPPLIED OR APPROVED BOLTS, LOCKNUTS, AND WASHERS TO INSTALL THIS HITCH

TOOLS REQUIRED

**3/4" SOCKET
TORQUE WRENCH**



1. Lift the side brackets up to the frame to find the holes in the frame that correspond with the holes in the brackets.
2. Install a bolt plate over one of the 1/2" carriage bolts and insert the bolt down through one of the holes in the frame. Repeat this for all six mounting locations. See the diagram above.
3. Lift the side brackets up to the frame and place them over the bolts. Install a 1/2" flat washer, 1/2" lock washer and 1/2" nut on each bolt. See the diagram above.
4. Lift the center section of the hitch up between the side brackets. Install six 1/2" rib neck bolts as shown in the diagram above. Install 1/2" lock washers and 1/2" nuts on these bolts.
5. Torque all 1/2" nuts to 75 ft.*lb.

(OVER)

For Installation Assistance or Technical Help, Call 1-800-758-0869

For Installation Assistance or Technical Help, Call 1-800-758-0869

THIS PRODUCT COMPLIES WITH SAFETY SPECIFICATION AND REQUIREMENTS FOR THE STATE OF NEW YORK AND VESC REGULATION V-5 FOR CONNECTING DEVICES AND TOWING SYSTEMS. WEIGHT DISTRIBUTING HITCH RATING IS 10000 LB. MAX. GROSS TRAILER WEIGHT AND 1000LB. MAX. TONGUE WEIGHT. WEIGHT CARRYING HITCH RATING IS 5000 LB MAX GROSS TRAILER WEIGHT AND 500 LB MAX TONGUE WEIGHT. CONSULT VEHICLE OWNERS MANUAL FOR TOWING RECOMMENDATIONS AND LIMITATIONS.

LIMITED WARRANTY

Reese warrants its Hitches, custom Hitch Receivers, and Sway Controls from date of purchase against defects in material and workmanship under normal use and service, ordinary wear and excepted, for the ownership life of the original consumer purchaser. Reese will replace FREE OF CHARGE any part which proves defective in material or workmanship when presented to any Reese dealer, Reese Warehouse or return to factory. TRANSPORTATION CHARGES PREPAID, at the address below. THIS WARRANTY IS LIMITED TO DEFECTIVE PARTS REPLACEMENT ONLY. LABOR CHARGES AND/OR DAMAGE INCURRED IN INSTALLATION OR REPLACEMENT AS WELL AS INCIDENTAL AND CONSEQUENTIAL DAMAGES CONNECTED THEREWITH ARE EXCLUDED. Some states do not allow the exclusion or limitation of incidental or consequential damages, so the above limitation or exclusion may not apply to you. Any damage to the Hitch, Custom Hitch receiver or Sway Control as a result of misuse, abuse, neglect, accident, improper installation, or any use violative of instructions furnished by us, WILL VOID THE WARRANTY. This warranty gives you specific legal rights, and you may also have other rights which vary from state to state. In the event of a problem Reese warrants its Hitches, Custom Hitch Receivers and Sway Controls from date of purchase against defects in material and workmanship under normal use and service, ordinary wear and tear excepted, for the ownership life of the original consumer purchaser. with warranty service or performance, you may be able to go to a small claims court, a state court, or a federal district court.

Reese Products, Inc.
51671 State Road 19-N
Elkhart, IN 46514

Reese Products of Canada, Ltd.
475 Wycroft Road
Oakville, Ontario
Canada L6K2H2