

# REESE

## INSTALLATION INSTRUCTIONS

Product No.

**DODGE DAKOTA  
FORD FLARESIDE WITH ROLLED PAN**

**36047**

You *can* take it with you.

ELKHART, IN., OAKVILLE, ONT.

SMALL PARTS  
PACKAGE 36392

**WARNING:** DO NOT LUBRICATE THREADS, BOLT FAILURE MAY OCCUR DUE TO OVER TIGHTENING.

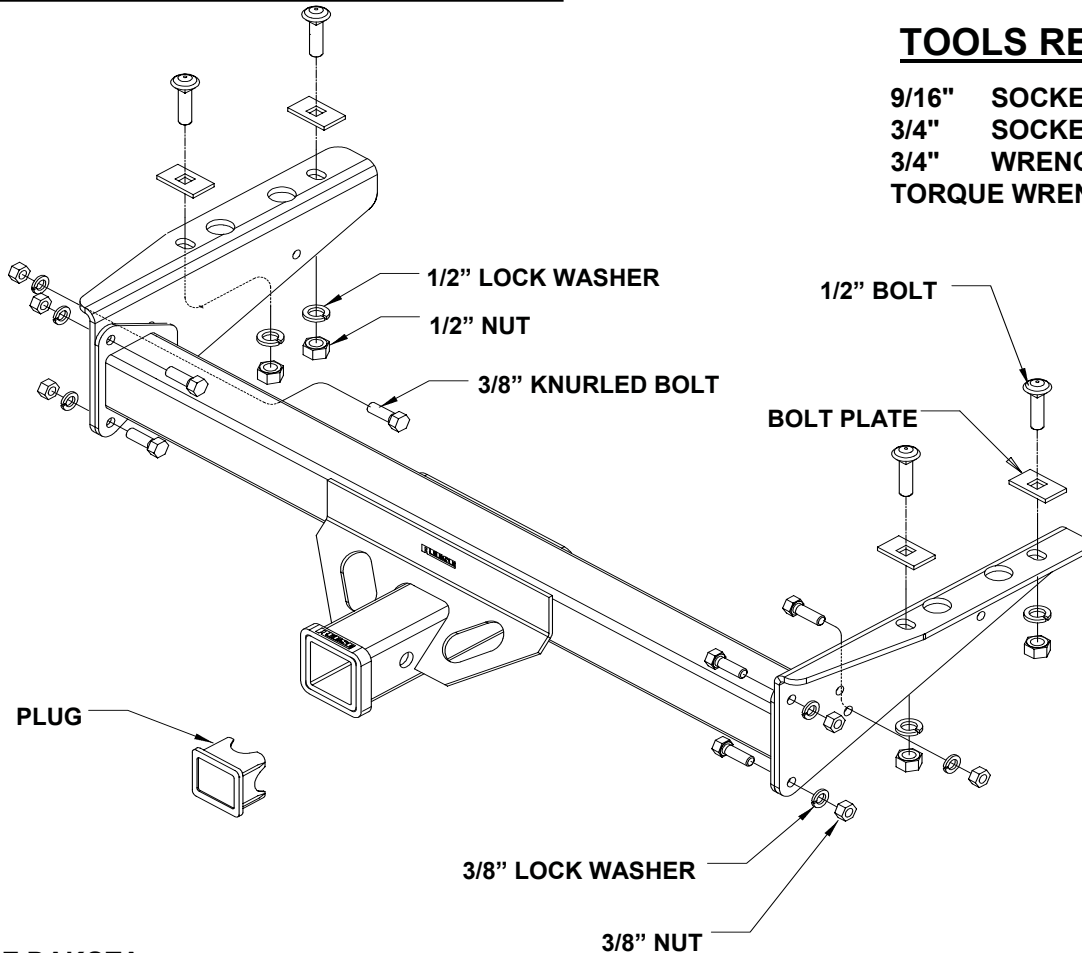
**WARNING:** DO NOT DRILL OR WELD TO THIS HITCH.

### IMPORTANT NOTES

USE ONLY REESE SUPPLIED OR APPROVED BOLTS, LOCKNUTS, AND WASHERS TO INSTALL THIS HITCH

### TOOLS REQUIRED

9/16" SOCKET  
3/4" SOCKET  
3/4" WRENCH  
TORQUE WRENCH



### DODGE DAKOTA

1. Assemble center section and side brackets (flanges out) with six 3/8" knurled bolts pointing outward. Install six 3/8" lock washers and six 3/8" nuts. Leave nuts slightly loose on bolt at this time.

**DAKOTA SHORT BED:** If the truck has dual pipe exhaust, it may be necessary to lower the exhaust bracket to clear the hitch bracket. It may also be necessary to loosen the spare tire and push it forward.

2. **FOR 96-PRESENT:** Align the brackets with the existing holes in the frame. Install hardware as shown above.

3. **FOR 86-95:** Clamp the hitch against the frame. The large holes in the brackets are to clear the rivet on short bed models. On long bed models, locate the rear hole 1" forward of the end of the frame flange.

(OVER)

For Installation Assistance or Technical Help, Call 1-800-758-0869

4. Drill 1/2" holes in the frame to match the holes in the brackets. Install 1/2" carriage bolts with bolt plates down through the frame. Install 1/2" lock washers and 1/2" nuts onto the 1/2" bolts. See the diagram on the other side.
5. Tighten the six 3/8" nuts on the side brackets until the bolt heads seat.
6. Torque 1/2" nuts to 75 ft.\*lb.  
Torque 3/8" nuts to 35 ft.\*lb.

### **FORD FLARESIDE WITH ROLLED PAN**

1. Assemble the center section and side brackets (flanges out) with six 3/8" knurled bolts pointing outward. Install six 3/8" lock washers and six 3/8" nuts. Leave the nuts slightly loose on the bolts at this time.
2. Clamp the hitch against the frame. Position it so the side brackets clear the pan and there is room for the bolt head and wrench in front of the crossmember. Make sure the fronts of the brackets are outboard far enough to center the holes in the frame flange.
3. Drill 1/2" holes in the frame to match the holes in the brackets. Install 1/2" carriage bolts with bolt plates down through the frame. Install 1/2" lock washers and 1/2" nuts on the 1/2" bolts. See the diagram on the other side.
4. Tighten the six 3/8" nuts on the side brackets until the bolt heads seat.
5. Torque 1/2" nuts to 75 ft.\*lb.  
Torque 3/8" nuts to 35 ft.\*lb.

**For Installation Assistance or Technical Help, Call 1-800-758-0869**

THIS PRODUCT COMPLIES WITH SAFETY SPECIFICATION AND REQUIREMENTS FOR THE STATE OF NEW YORK AND VESC REGULATION V-5 FOR CONNECTION DEVICES AND TOWING SYSTEMS. WEIGHT DISTRIBUTING HITCH RATING IS 7000 LB. MAX. GROSS TRAILER WEIGHT AND 700 LB. MAX. TONGUE WEIGHT. WEIGHT CARRYING HITCH RATING IS 5000 LB. MAX. GROSS TRAILER WEIGHT AND 500 LB. MAX. TONGUE WEIGHT. CONSULT VEHICLE OWNERS MANUAL FOR TOWING RECOMMENDATIONS AND LIMITATIONS.

## **LIMITED WARRANTY**

Reese warrants its Hitches, custom Hitch Receivers, and Sway Controls from date of purchase against defects in material and workmanship under normal use and service, ordinary wear and excepted, for the ownership life of the original consumer purchaser.

Reese will replace FREE OF CHARGE any part which proves defective in material or workmanship when presented to any Reese dealer, Reese Warehouse or return to factory. TRANSPORTATION CHARGES PREPAID, at the address below. THIS WARRANTY IS LIMITED TO DEFECTIVE PARTS REPLACEMENT ONLY. LABOR CHARGES AND/OR DAMAGE INCURRED IN INSTALLATION OR REPLACEMENT AS WELL AS INCIDENTAL AND CONSEQUENTIAL DAMAGES CONNECTED THEREWITH ARE EXCLUDED. Some states do not allow the exclusion or limitation of incidental or consequential damages, so the above limitation or exclusion may not apply to you. Any damage to the Hitch, Custom Hitch receiver or Sway Control as a result of misuse, abuse, neglect, accident, improper installation, or any use violative of instructions furnished by us, WILL VOID THE WARRANTY.

This warranty gives you specific legal rights, and you may also have other rights which vary from state to state. In the event of a problem Reese warrants its Hitches, Custom Hitch Receivers and Sway Controls from date of purchase against defects in material and workmanship under normal use and service, ordinary wear and tear excepted, for the ownership life of the original consumer purchaser.

with warranty service or performance, you may be able to go to a small claims court, a state court, or a federal district court.

Reese Products, Inc.  
51671 State Road 19-N  
Elkhart, IN 46514

Reese Products of Canada, Ltd.  
475 Wycroft Road  
Oakville, Ontario  
Canada L6K2H2