

VIAIR®

Your Vital Air Source

- 90C COMPRESSOR KIT
PART NO. 00090
- 92C COMPRESSOR KIT
PART NO. 00092
- 95C COMPRESSOR KIT 12V
PART NO. 00095
- 95C COMPRESSOR KIT 24V
PART NO. 02495



IMPORTANT:

It is essential that you and any other operator of this product read and understand the contents of this manual before installing and using this product.

SAVE THIS MANUAL FOR FUTURE REFERENCE

USER MANUAL



IMPORTANT SAFETY INSTRUCTIONS

CAUTION - To reduce risk of electrical shock or electrocution:

- Do not disassemble. Do not attempt repairs or modifications. Refer to qualified service agencies for all service and repairs.
- Do not use this product in an area where it can fall or be pulled into water or other liquid.
- Do not reach for this product if it has fallen into liquid.
- Use this compressor with 12-volt (P/N: 00090, 00092, 00095) or 24-volt (P/N: 02495) DC systems only.
- This product should never be left unattended during use.

WARNING - To prevent injury:

- Never allow children to operate this compressor. Close supervision is necessary when this compressor is being used near children.
- This compressor will become very hot during and immediately after use. Do not touch any part of this compressor with bare hands during and immediately after use.
- Do not use this product near flames or explosive materials or where aerosol products are being used.
- Do not operate this product where oxygen is being administered.
- Do not pump anything other than atmospheric air.
- Never use this product while sleepy or drowsy.
- Do not use any tools or attachments without first determining maximum air pressure for that tool or attachment.
- Never point any air nozzle or air sprayer toward another person or any part of the body.
- Wear safety glasses or goggles when operating this product.
- Use only in well ventilated areas.

INSTALLATION

Please read and follow the installation instructions carefully to avoid injury or damage to the compressor and your vehicle. Each of our air compressors and parts have been carefully produced and packaged. Before you begin installation, please familiarize yourself with Installation Parts List (Fig. 1) of this manual.

Guidelines for Selecting Mounting Location:

The selection of proper mounting location for your air compressor will help ensure a long and trouble free compressor service life. Please pay close attention to the following guidelines:

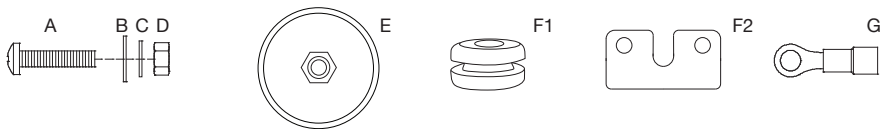
1. Select a **FLAT, UPRIGHT AND SECURE** location where the compressor can be mounted.
2. To maximize air compressor performance, locate compressor as **CLOSE TO THE BATTERY** as possible so that length of positive lead wire required is at a minimum.
3. Choose mounting location that is as cool as possible and **AWAY FROM HEAT SOURCES**. The cooler the ambient temperature the less chance the compressor will overheat.
4. This compressor is moisture & splash resistant, but **NOT WATER PROOF**. Do not mount compressor in locations where the unit is likely to come in contact with water.
5. (P/N 00092 Only) Select compressor mounting location where air line can be routed from compressor air inlet to remote inlet air filter. Make sure Remote Inlet Air Filter is located in a dry location, away from water splashes.
6. If it is necessary to mount the air compressor further away from the battery, such as inside your vehicle or in the bed of your pickup, use a minimum 12 AWG positive lead wire for remote installation. (See wire gauge reference chart)
7. Do not mount compressor near areas where flammable liquids are stored.

90C - 92C - 95C Air Compressor Kit

MOUNTING AND WIRING

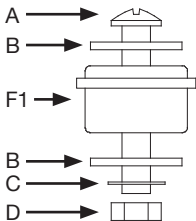
1. Disconnect ground cable from vehicle's battery.
2. Temporarily position the air compressor in the location where it will be mounted.
3. Route ground wire to the negative post of the battery or to an appropriate grounding point and cut ground wire to length as needed.
4. Mount air compressor with the four sets of 13/64" (5 mm) bolts, nuts, washers, and locking washers provided. Use of thread sealant recommended.
5. **IMPORTANT:** Please note, your compressor may have a check valve. **DO NOT** remove check valve from the unit.
6. Connect compressor's positive lead wire to one of the leads of your pressure switch.
7. Make sure that your compressor setup is properly fused. For appropriate fuse size, refer to amp draw of compressor in the specifications section of this manual. Round up when choosing a fuse.
8. Always locate fuse as close as possible to power source.
9. Before connecting to power source, re-check to make sure that all connections are properly connected.
10. Connect and test compressor system by running the compressor for a short time to build up pressure in your air tank.
11. Once air pressure reaches preset cut out pressure of your pressure switch, the compressor will shut off. Inspect all air line connections for leaks with soap and water solution. If a leak is detected, the air line may not be cut squarely or pushed all the way in. Tighten connections if needed.

(Fig. 1) 90C - 92C - 95C Air Compressor Kit Installation Parts List:



- A. Mounting Bolts (4pcs)
- B. Flat Washers (8pcs)
- C. Locking Washers (4pcs)
- D. Nuts (4pcs)
- E. Inlet Air Filter with Filter Element (1pc) (P/N 00092 only)
- F1. Vibration Isolator (4pcs) (P/N 00090 & P/N 00092 only)
- F2. Vibration Isolator (4pcs) (P/N 00095 & P/N 02495 only)
- G. Ring Terminal (1pc) (P/N 00095 & P/N 02495 only)

(Fig. 2) Compressor Mounting Hardware



*Refer to Fig. 1 Parts List.

OPERATING INSTRUCTIONS

1. **IMPORTANT:** Always operate the compressor at or below the MAXIMUM PRESSURE RATING of the compressor. Please refer to Application & Specifications Sections of this manual for details.
2. Always observe the MAXIMUM DUTY CYCLE of the air compressor. Refer to Compressor Applications and Specifications Sections of this manual for details. Operation exceeding maximum pressure ratings and/or duty cycle will result in damage to the air compressor.
3. To prevent discharge of your vehicle's battery, and enhance performance, ALWAYS keep the vehicle's engine running while using the compressor.

MAINTENANCE & REPAIRS

1. Periodically check all electrical and fitting connections. Clean and tighten as needed.
2. Periodically check all mounting screws. Tighten as needed.
3. (*P/N 00092 Only*) Replace air filter element periodically. Replacement frequency depends on operating frequency and operating environment. For frequent use in dusty environments, we recommend that you replace air filter element at least once a month.
4. Regularly clean dust and dirt from compressor cooling fins and motor housing.
5. Your air compressor is equipped with permanently lubricated, maintenance-free motor. Never try to lubricate compressor.
6. All repairs should be performed by Manufacturer or Manufacturer's Authorized Service Agencies only.

CAUTION:

Never touch the air compressor or fittings connected to the air compressor with bare hands during or immediately after use. Leader hose and fittings connected to Leader Hose will become very hot during and after use. If necessary, wear heat resistant gloves to handle fittings, air line, and leader hose.

PLEASE NOTE:

Use thread sealant for proper installation. Teflon tape is not recommended. Properly sealed, recommended torque for 1/8" NPT fittings is 10 to 11 ft. lbs.

SPECIFICATIONS

• Part No. 00090 / 90C Air Compressor

Motor Voltage:	12 Volts
Max. Current Consumption:	11 Amps
Motor Type:	Permanent Magnetic
Max. Working Pressure:	120 PSI
Max. Duty Cycle (@ 72°F & 100 PSI):	9%
Max. Ambient Temperature:	158°F
Min. Ambient Temperature:	-40°F
Dimensions:	5.9"L x 2.1"W x 4.5H"
Net Weight:	2.4 Lbs.

• Part No. 00092 / 92C Air Compressor

Motor Voltage:	12 Volts
Max. Current Consumption:	11 Amps
Motor Type:	Permanent Magnetic
Max. Working Pressure:	120 PSI
Max. Duty Cycle (@ 72°F & 100 PSI):	9%
Max. Ambient Temperature:	158°F
Min. Ambient Temperature:	-40°F
Dimensions:	7.6"L x 2.1"W x 4.5H"
Net Weight:	2.5 Lbs.

• Part No. 00095 / 95C 12V Air Compressor

Motor Voltage:	12 Volts
Max. Current Consumption:	11 Amps
Motor Type:	Permanent Magnetic
Max. Working Pressure:	120 PSI
Max. Duty Cycle (@ 72°F & 100 PSI):	9%
Max. Ambient Temperature:	158°F
Min. Ambient Temperature:	-40°F
Dimensions:	5.4"L x 3.1"W x 4.6H"
Net Weight:	2.5 Lbs.

• Part No. 02495 / 95C 24V Air Compressor

Motor Voltage:	24 Volts
Max. Current Consumption:	7 Amps
Motor Type:	Permanent Magnetic
Max. Working Pressure:	120 PSI
Max. Duty Cycle (@ 72°F & 100 PSI):	9%
Max. Ambient Temperature:	158°F
Min. Ambient Temperature:	-40°F
Dimensions:	5.4"L x 3.1"W x 4.6H"
Net Weight:	2.5 Lbs.

90C - 92C - 95C Air Compressor Kit

COMPRESSOR APPLICATION GUIDE

To ensure that you get the highest level of satisfaction from your compressor performance, refer to information below:

VIAR COMPRESSOR REFERENCE CHART

COMPRESSOR SERIES	DUTY CYCLE (100 PSI @ 72°F)	MAX. WORKING PRESSURE
090 SERIES	9%	120 PSI
092 SERIES	9%	120 PSI
095 SERIES	9%	120 PSI
097 SERIES	10%	130 PSI
098 SERIES	10%	130 PSI
100 SERIES	15%	130 PSI
250 IG SERIES	100%	150 PSI
275 SERIES	25%	150 PSI
280 SERIES	30%	150 PSI
325 SERIES	33%	150 PSI
330 IG SERIES	100%	150 PSI
350 SERIES	100%	150 PSI
380 SERIES	100%	200 PSI
	*55%	
400 SERIES	33%	150 PSI
420 SERIES	33%	150 PSI
444 SERIES	100%	200 PSI
	*50%	
450 SERIES	100%	150 PSI
450 IG SERIES	100%	150 PSI
460 SERIES	100%	150 PSI
480 SERIES	100%	200 PSI
	*50%	

*Duty Cycle at 200 PSI and 72°F.

ABOUT COMPRESSOR DUTY CYCLE:

Duty cycle refers to the amount of time a compressor can be operated in a given time period at 100 PSI, and a standard ambient temperature of 72° F. It is commonly expressed in percentage format: Compressor on time ÷ (on time + off time) = Duty Cycle %.

ONE-HOUR DUTY CYCLE

(100 PSI @ 72°F)

9%	5 Min. On / 55 Min. Off
10%	6 Min. On / 54 Min. Off
15%	9 Min. On / 51 Min. Off
20%	12 Min. On / 48 Min. Off
25%	15 Min. On / 45 Min. Off
30%	18 Min. On / 42 Min. Off
33%	19 Min. On / 41 Min. Off
50%	30 Min. On / 30 Min. Off
100%	1 Hour Run Time

MINUTES ON / MINUTES OFF

NOTE: All compressors, regardless of rated duty cycle, require sufficient rest time in between cycles to allow for partial or complete heat dissipation. Heat dissipation rates may vary depending on ambient temperatures and operating conditions.

ABOUT RATED WORKING PRESSURE:

To ensure trouble free service life of your compressor, always operate compressor within rated working pressure of the compressor. Never use a pressure switch with a higher cut-off pressure than compressor's rated working pressure.

90C - 92C - 95C Air Compressor Kit

TROUBLESHOOTING GUIDE:

PROBLEM:	POSSIBLE CAUSE(S)	CORRECTIVE ACTION
Tank pressure drops when compressor(s) shut off	<ol style="list-style-type: none">1. Loose drain cock2. Check valve leaking3. Loose connections	<ol style="list-style-type: none">1. Tighten drain cock2. Replace check valve or compressor3. Check all connections with soap and water solution and tighten
Compressor runs continuously and air flow lower than normal	<ol style="list-style-type: none">1. Excessive air usage2. Loose connections3. Worn piston ring or inlet valve.4. Clogged air filter element	<ol style="list-style-type: none">1. Decrease air usage2. Check all connections with soap and water solution and tighten.3. Replace compressor4. Replace air filter element
Compressor runs continuously causing safety valve (if equipped) to open	<ol style="list-style-type: none">1. Faulty pressure switch2. Defective safety valve	<ol style="list-style-type: none">1. Replace pressure switch2. Replace safety valve
Excessive moisture in discharge	<ol style="list-style-type: none">1. Excessive water in air tank2. High humidity	<ol style="list-style-type: none">1. Drain tank, tilt tank to drain. Drain tank more frequently2. Move compressor to area with less humidity, or use water separator
Compressor will not run	<ol style="list-style-type: none">1. No power, or power switch in OFF position2. Blown fuse3. Faulty pressure switch (if hooked up to a pressure switch).	<ol style="list-style-type: none">1. Make sure compressor switch is ON2. Disconnect compressor from power source, replace fuse. (Refer to Specifications section for correct fuse amperage)3. Replace pressure switch
Excessive knocking or rattling	<ol style="list-style-type: none">1. Loose mounting bolts2. Worn bearing on eccentric or motor shaft3. Cylinder or piston ring is worn	<ol style="list-style-type: none">1. Tighten bolts2. Replace bearing or piston assembly3. Replace piston or compressor

CAUTION: NEVER DISASSEMBLE COMPRESSOR WHILE COMPRESSOR IS PRESSURIZED.

90C - 92C - 95C Air Compressor Kit

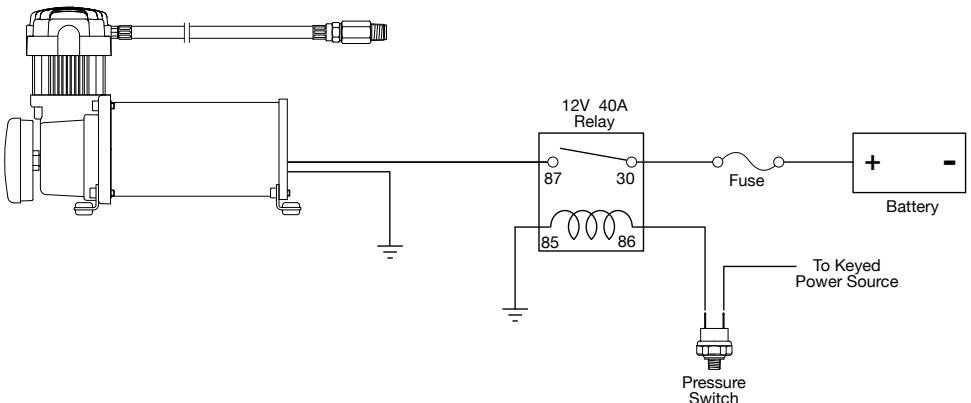
AMERICAN WIRE GAUGE GUIDE 12-VOLT:

Amp Draw	Length of wire from battery to compressor (in feet)			
	5	10	15	20
5	16	16	16	14
10	16	14	12	10
15	16	12	10	10
20	14	10	10	8
25	14	10	8	6
30	12	10	8	6
40	12	8	6	6
50	10	6	6	4
60	10	6	4	4

AMERICAN WIRE GAUGE GUIDE 24-VOLT:

Amp Draw	Length of wire from battery to compressor (in feet)			
	5	10	15	20
5	16	16	16	16
10	16	16	16	14
15	16	16	14	12
20	16	14	12	10
25	16	12	12	10
30	16	12	10	10
40	14	10	10	8
50	14	10	8	6
60	12	10	8	6

Wiring Diagram: (Fuse Not Included)



LIMITED WARRANTY:

VIAIR Corporation warrants this product, when properly installed and under normal conditions of use, to be free from defects in workmanship and materials for a period of one year from its original date of purchase. To receive warranty service or repair, please contact VIAIR Corporation.

Returns should be made within one year of the date of purchase, after a Return Goods Authorization (RGA) number has been assigned by VIAIR Corporation. To obtain RGA, fax a copy of your receipt to (949) 585-0188. For complete warranty details, please visit: www.viaircorp.com/warranty

PLEASE NOTE:

THIS WARRANTY COVERS PRODUCT DEFECTS ONLY; IT DOES NOT COVER INCIDENTAL OR CONSEQUENTIAL DAMAGES AS RESULT OF MISUSE OR ABUSE.



15 EDELMAN • IRVINE, CA 92618
TEL: (949) 585-0011 • FAX: (949) 585-0188
www.viaircorp.com

USER MANUAL