

SolarGoesGreen SGG-PoleMT-301

SAVE THIS MANUAL FOR FUTURE REFERENCE.

**PLEASE NOTE THIS UNIT CAN BE USED FOR MANY DIFFERENT SOLAR PANELS
SOME ADDITIONAL DRILLING MAYBE REQUIRED**

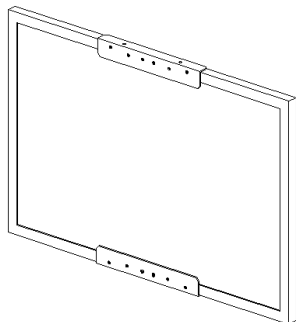
Step I. Attach the 2 “L” shaped brackets bar stocks on solar panel using the screws provided. Please note drilling through the holes on the L shape brackets will be required. Pay careful attention when drilling through the solar panel edge to not impact the solar panel.

Step II. Attach the longer U shape bracket on top the flat bar stock using screws provided.

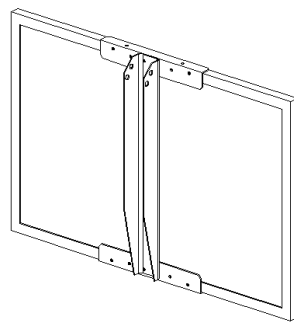
Step III. Attach the shorter U shape bracket inside the longer U shape bracket with the two bolts provided. The ideal angle of solar panel is 45 degrees.

Step IV. Using the 2 bolts provided through the 2 holes in the large and small U shape bracket will provide 45 degree angle when mounted vertically at 90 degrees. If different angle is needed, remove bottom bolts and adjust accordingly.

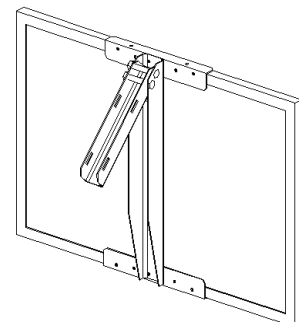
Step V. Attach the unit on the pole with clamps provided.



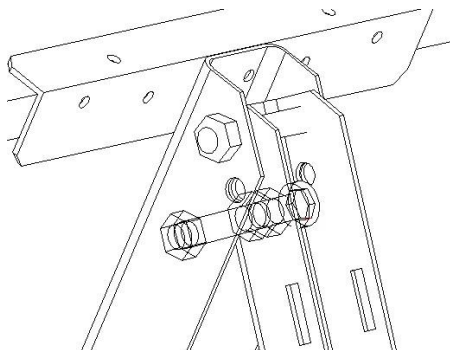
Step I



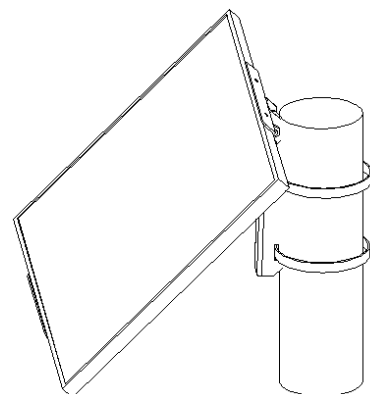
Step II



Step III



Step IV



Step V

www.SolarGoesGreen.com

