

# SolarGoesGreen SGG-S12

**READ AND FOLLOW ALL INSTRUCTIONS BEFORE OPERATING YOUR SOLAR LIGHT.**  
**SAVE THIS MANUAL FOR FUTURE REFERENCE.**



## DESCRIPTION

The SGG-S12 is designed as a stand-alone spotlight which automatically illuminates at dusk. It is completely solar powered and must be installed in position where the solar panel will receive the maximum sun per day. It's energy-saving, auto switches on/off and has an appealing design.

The unit has a single spotlight with 12 super bright LED's, and a Li-ion rechargeable battery which is easily replaceable. The SGG-S12 can easily be installed and used in a broad range of applications such as; gardens, yards, walls, signs, flags etc.

## PARTS

- Battery Box and integrated solar panel
- LED lamp fitting
- Spike for lamp fittings
- Battery Box Spike
- Optional Flat Mount Kits
- Optional Pole Mount Kits
- Optional 9' wire kit

\*Please contact your retailer to purchase optional mount and wire kits.

## INSTALLATION

### I Solar Spot Light

#### INSTALLATION OF THE SOLAR PANEL

- Choose a place to locate the unit where there is abundant and unobstructed sunshine during the day. Any cover or shade on the solar panel will affect its performance to charge the battery resulting in a shorter run time of the light during the night (Fig.1). IDEAL LOCATION OF THE SOLAR PANEL WILL BE FACING SOUTH AT A 45 DEGREE ANGLE TO THE HORIZON.
- The solar panel is adjustable. Adjust the angle of solar panel to 45 degrees for best results. The selected location should not be near a night time light source like a porch or street light. If the panel receives light on it at any time it will not allow the automatic day/night sensor to turn the light on.

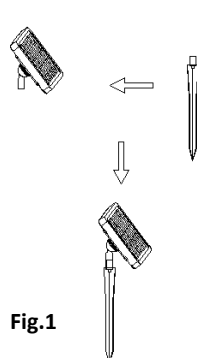


Fig.1

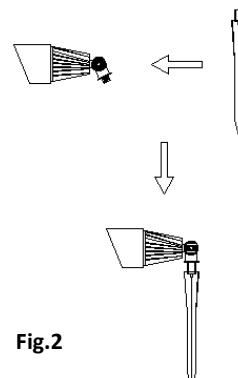


Fig.2

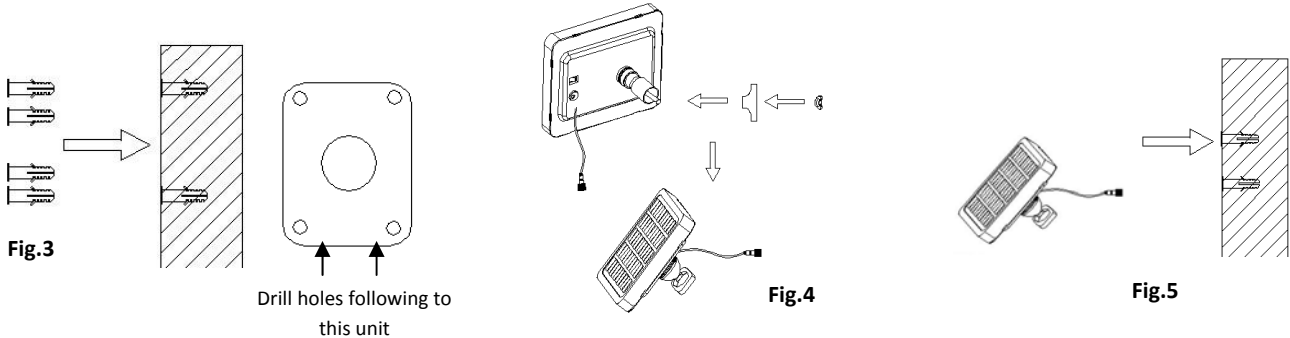
**INSTALLATION OF LIGHT**

- Spike it into soft ground. Adjust lamp aiming direction before installation(Fig.2)
- After installation, connect Spot light wire with Solar panel wire (optional wire kit for longer use) and switch the unit to the ON position located on the back of solar panel. The light will automatically be operational when the panel detects that it's dark enough.

**II Solar Flat Mount Light (OPTIONAL USE)**

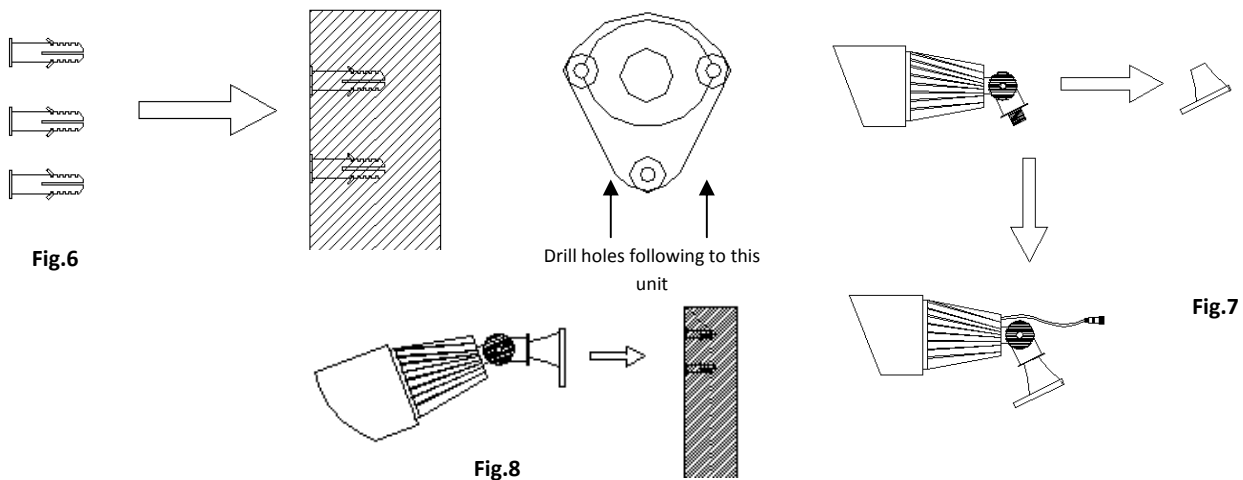
**INSTALLATION OF THE SOLAR PANEL**

- Drill 4 holes (dia. 8mm) on any flat surface using the flat wall mount as a template to determine hole location. (Fig.3)
- Fix wall mount to solar panel by using provided butterfly nut (Fig.4)
- Fix the solar panel to the surface by using provided screws(Fig.5)
- The solar panel is adjustable. Adjust the angle of solar panel to 45 degrees for best results. The installation location must be located to capture the most possible sunshine during the day. IDEAL LOCATION OF THE SOLAR PANEL WILL BE FACING SOUTH AT A 45 DEGREE ANGLE TO THE HORIZON.



**INSTALLATION OF LIGHT**

- Drill 3 holes(dia. 8mm) on an appropriate flat surface using lamp flat mount base as template to determine hole location.(Fig.6)
- Fix wall mount to lamp by using provided nut (Fig.7)
- Fix the lamp unit to the surface by using provided screws and anchors. (Fig.8). Adjust lamp initial aiming direction before installation.
- After installation, connect Spot light wire with Solar panel wire (optional wire kit for longer use) and switch the unit on the back of the solar panel. The light will automatically be operational when the panel detects that it's dark enough.



**III Solar Flag Pole Light (OPTIONAL USE)**

- Take off the connection part of LED lamp(Fig.9)
- Fix lamp to pole mount base by using screws provided.
- Mount Solar Panel to pole mount base using provided butterfly nut (Fig.10).Adjust lamp initial aiming direction before fixing it.
- Fix the pole light unit to flag pole by using stainless steel clamps. There are different sizes of clamps suitable for different size of flag pole. (Fig.11)

- After installation, connect Spot light wire with Solar panel wire and switch the unit on the solar panel. The light will automatically be operational when the panel detects that it's dark enough.

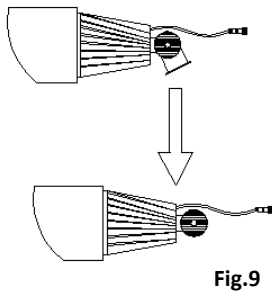


Fig.9

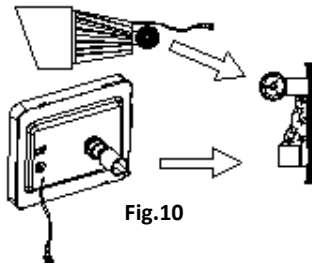


Fig.10

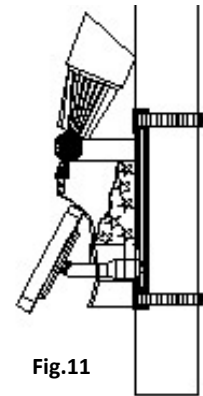


Fig.11

it is

### NOTES AND TROUBLESHOOTING

- If there is not enough sunlight on the solar panel, the unit may not charge, please place it in a position where there is at least 8-10 hours of sunlight a day.
- If there is too much ambient light, the unit will not activate as it will assume that it is not dark enough.
- Please keep the solar panel clean by wiping it once every few months with a damp cloth or paper towel. Don't use strong detergents or acid based cleaners.
- Rainy and cloudy conditions over continuous days will also affect the charging ability of the light.
- **PLEASE NOTE THIS UNIT CHARGES IN THE ON POSITION. (--) LINE DEPRESSED INTO PANEL**
- **IF LIGHT WILL NOT ILLUMINATE AFTER 2 SUNNY DAYS, UNPLUG LIGHT FROM SOLAR PANEL, LEAVE PANEL SWITCH IN ON POSITION AND CONTINUE TO CHARGE LIGHT.**
- **REATTACH LIGHT AND RESUME OPERATION AS NORMAL. IF LIGHT STILL WILL NOT WORK, REPLACE BATTERY.**

### BATTERY REPLACEMENT

The battery is 3.7V 2000mAh Li-ion rechargeable battery which is easily replaceable.

If the battery begins to illuminate dimly or for short durations of time and you know that it has had sufficient sunlight on the panel in order to charge, you should replace the battery in the following way:

1. Unscrew the battery cover on the back of solar panel box and take off the old battery carefully without damaging the cables.
2. Replace the new battery and remount the unit.

**WARNING** – Polarity is very important. Switching polarity on the unit is dangerous and will destroy the unit.

UPC 850901003163



[www.SolarGoesGreen.com](http://www.SolarGoesGreen.com)