

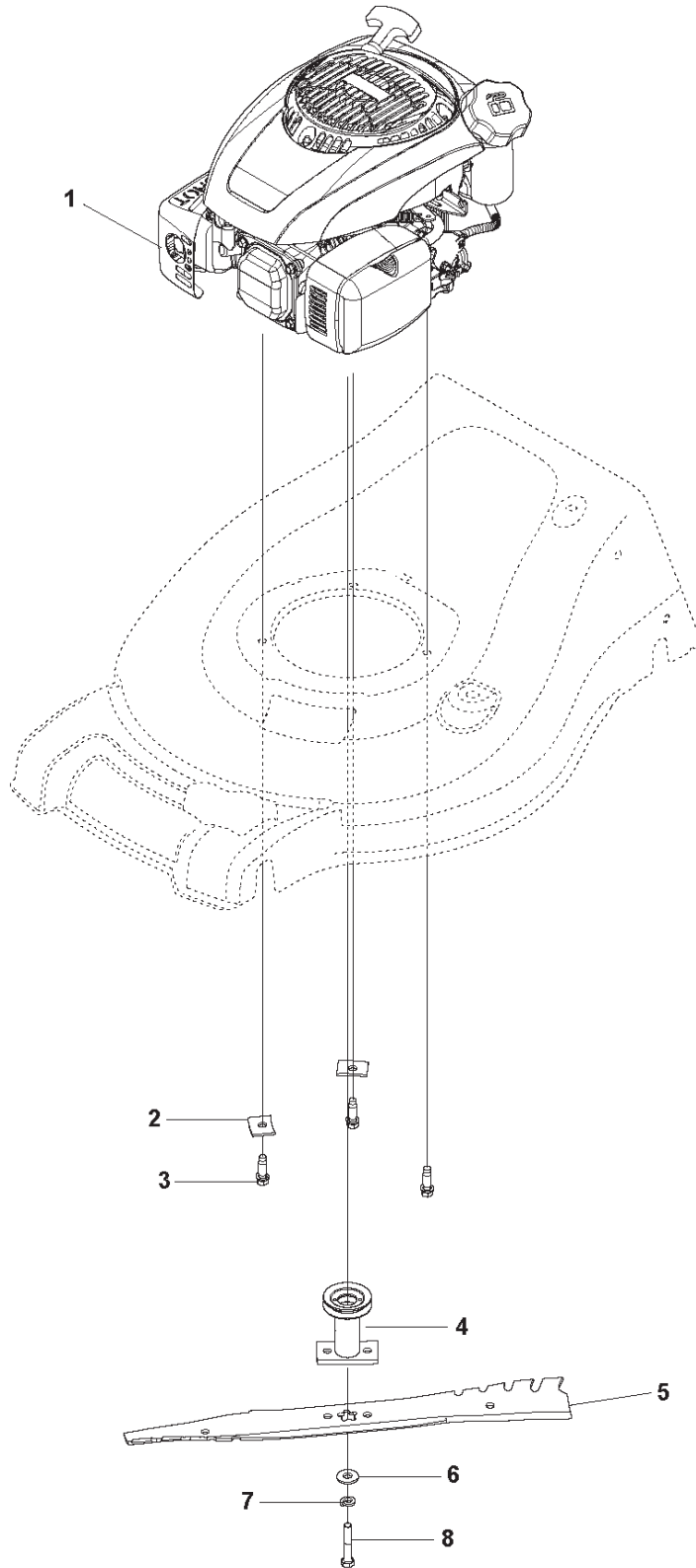


# SPARE PARTS LIST

LAWN MOWERS: CONSUMER  
WALK-BEHINDS

LC121FH, 96148006100, 2017-10

**C** LC121FH  
ENGINE

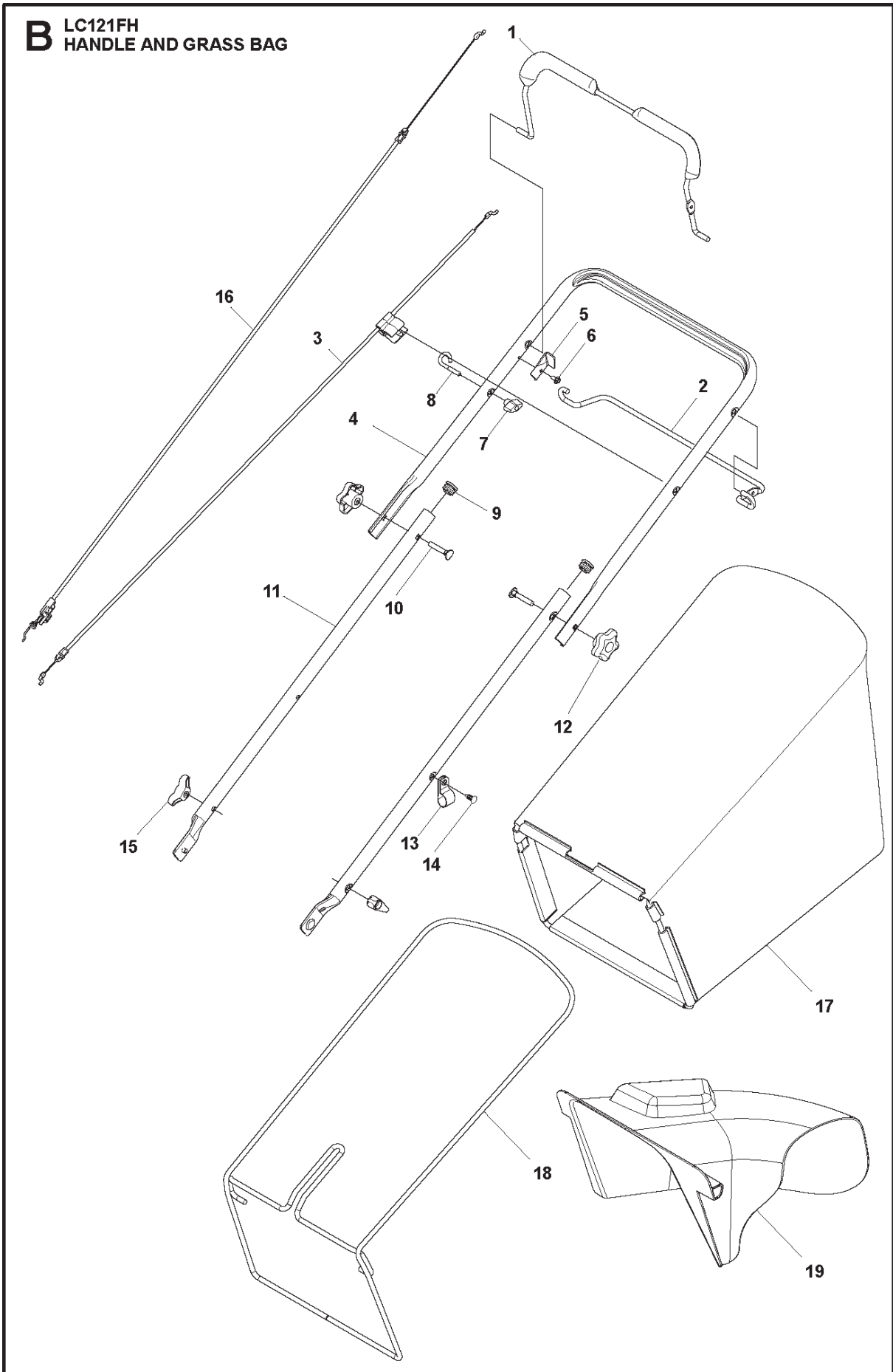


## ENGINE

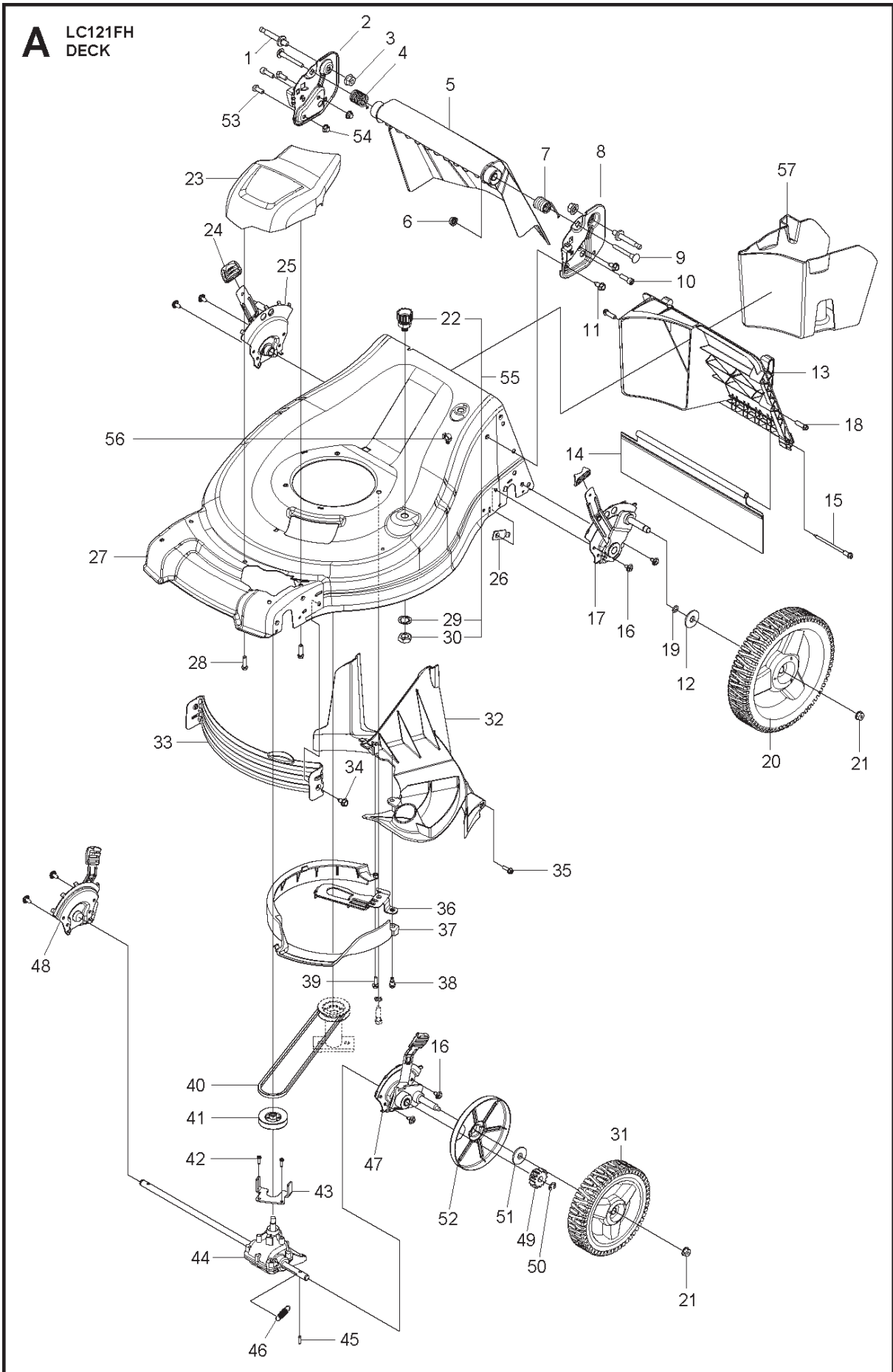
LC121FH, 96148006100, 2017-10

Ref	Part No	Description	Remark	QTY KIT
1	000 00 00-00	W/O DESCRIPTION	Kohler XT650-3045 (For engine service and replacement parts, call Kohler at 1-800-544-2444)	1
2	532 12 50-78	WASHER	Engine	1
3	532 15 04-06	BOLT	3/8-16	1
4	590 73 98-01	ADAPTER	Blade, 21" FWD	1
5	586 85 96-02	BLADE	High Lift	1
6	532 85 10-74	WASHER	Hardened	1
7	532 85 02-63	WASHER	3/8, Helical Spring	1
8	582 38 84-01	BOLT	Hex Head Machine Screw	1
--	115 93 86-27	OPERATOR'S MANUAL	NOT SHOWN	1
--	115 93 86-46	OPERATOR'S MANUAL	NOT SHOWN	1
--	115 93 86-31	OPERATOR'S MANUAL	NOT SHOWN	1
--	591 10 15-21	MANUAL	NOT SHOWN	1

**B** LC121FH  
HANDLE AND GRASS BAG



Ref	Part No	Description	Remark	QTY KIT
1	587 47 83-02	BAIL ARM ASSY	Straight	1
2	532 19 84-53	BAR	Drive, Straight	1
3	532 44 03-85	CABLE	Operator Presence Bail	1
4	589 19 79-02	HANDLEBAR	Straight	1
5	532 43 00-34	BRACKET	Upstop	1
6	532 17 88-48	SCREW	10-16 X 5/8	1
7	581 91 26-01	KNOB	T, Rope Guide	1
8	581 90 21-01	GUIDE	Rope	1
9	532 43 75-16	PLUG	Plastic, 7/8, 14-20 Gauge	2
10	588 04 04-01	BOLT	Concave Head, Retaining	2
11	501 06 40-02	HANDLEBAR	Lower 2 piece, 3 Position	1
12	532 18 23-98	KNOB	Handle, Star	2
13	532 19 79-91	CLIP	P/Cable	1
14	532 42 81-24	FASTENER	Push, 0.250 X 0.783	1
15	532 19 19-38	KNOB	Handle, Star	2
16	587 39 54-01	CABLE	Drive, Under-bail	1
17	587 10 04-08	GRASS BAG ASSY	21"	1
18	586 92 91-02	BAG FRAME	FRAME	1
19	582 26 19-01	CHUTE	Discharge Chute	1



Ref	Part No	Description	Remark	QTY KIT
1	587 01 52-01	BOLT	Handle, Pivot, 5/16-18	2
2	589 19 78-02	HANDLEBAR BRACKET	Adjustable Handle, Right	1
3	587 59 99-01	NUT	Serrated Flange, 5/16-18	2
4	587 25 06-01	SPRING	Right, Door	1
5	586 13 80-01	DOOR	Rear	1
6	532 41 32-84	NUT	Flanged, 3/8-16	2
7	587 24 98-01	SPRING	Left, Door	1
8	589 19 76-02	HANDLEBAR BRACKET	Adjustable Handle, Left	1
9	587 19 89-01	BOLT	Pivot. 3/8-16	2
10	587 28 11-01	SCREW	Hi-Lo, 5/16-14 X T-45	2
11	817 00 05-10	BOLT	Hex, 5/16	2
12	532 08 83-48	WASHER		2
13	586 13 75-01	INSERT	Rear	1
14	586 69 88-01	GUARD	Rear	1
15	587 43 82-01	SCREW	Hi-Lo, 5/16-14 X 4.10	1
16	581 12 76-01	SCREW	1/4-20 Tri-lobe	8
17	582 26 18-06	HEIGHT ADJUSTER	4-Point, Left Rear	1
18	587 28 11-01	SCREW		1
19	532 19 74-80	O-RING		2
20	588 26 86-02	WHEEL	11 X 1.75	2
21	532 40 91-48	NUT	Lock, Hex Flange, 3/8-16	4
22	532 41 97-35	HOSE FITTING	Blue	1
23	587 79 40-02	COVER	Drive FWD	1
24	532 70 10-37	KNOB	Ergonomic	4
25	582 26 18-05	HEIGHT ADJUSTER	4-Point, Right Rear, Idler	1
26	587 14 73-01	STRAP	Height Adjuster Bracket	2
27	588 61 02-34	HOUSING ASSY	21" FWD	1
28	584 29 94-01	SCREW EHHFT	Hi-Lo, 5/16 x 1.00	2
29	532 41 55-85	LOCKWASHER	Star	1
30	532 41 55-86	LOCKING NUT	Hex	1
31	532 41 10-81	WHEEL	8 x 1.75	2
32	586 56 04-01	BELT COVER	Belt/Rear Baffle	1
33	586 69 86-01	BAFFLE	Front	1
34	817 00 05-10	BOLT	Hex, 5/16	1
35	587 59 98-01	SCREW	Hi-Lo, 13-16 X .750	1
36	587 28 04-02	KEEPER	Belt Keeper, Engine	1
37	587 08 10-01	STRIPPER	Ring	1
38	581 72 61-01	BOLT	Shoulder, 1/4-20 Tri-lobe	1
39	587 59 98-01	SCREW	Hi-Lo, 13-16 x .750	1
40	532 17 54-36	V-BELT	Drive	1
41	586 98 97-01	PULLEY	Transmission	1
42	532 16 34-09	SCREW	12 x 5/8, Hi/Lo Thread	2
43	532 43 17-11	BRACKET	Belt Keeper, Transmission, FWD	1
44	589 48 65-01	TRANSMISSION	FWD	1
45	532 40 48-45	PAWL, DRIVE		1
46	532 40 65-58	SPRING	Return, Front Transmission	1
47	586 92 01-09	HEIGHT ADJUSTER	4-Point, Left Front	1
48	586 92 01-11	HEIGHT ADJUSTER	4-Point, Right Front	1
49	532 40 38-49	PINION	14 Tooth	2
50	812 00 00-58	E-CLIP	7/16, RE-Style	2
51	532 06 77-25	WASHER	1/2 x 1-1/2 x .134	2
52	581 84 04-01	DUST COVER	Wheel	2
53	874 78 05-12	SCREW		2
54	532 42 79-42	NUT		2
55	532 42 11-14	WATER CONNECTOR	Washout Kit	1
56	532 14 50-06	CLIP		1
57	586 92 27-01	MULCHING PLUG		1