



SPARE PARTS LIST

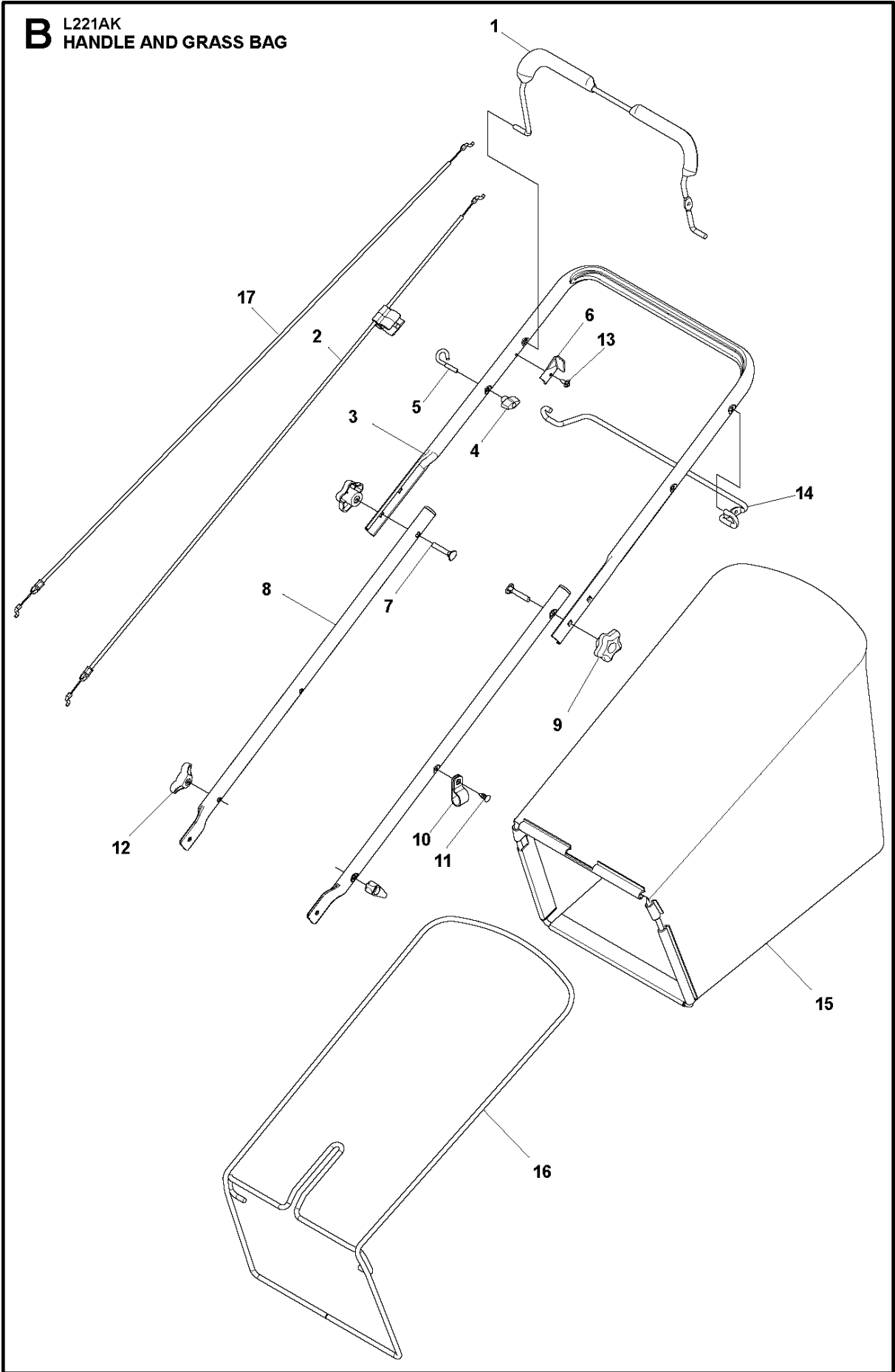
LAWN MOWERS: CONSUMER
WALK-BEHINDS

L221AK, 96795910100, 2018-10

MOWER DECK / CUTTING DECK

L221AK, 96795910100, 2018-10

Ref	Part No	Description	Remark	QTY	KIT
1	587 01 52-01	BOLT	Handle, Pivot, 5/16-18	2	
2	589 19 78-02	HANDLEBAR BRACKET	Adjustable Handle, Right	1	
3	587 59 99-01	NUT	Serrated Flange, 5/16-18	2	
4	587 25 06-01	SPRING	Right, Door	1	
5	586 13 80-07	DOOR	Rear	1	
6	532 41 32-84	NUT	Flanged, 3/8-16	1	
7	587 24 98-01	SPRING	Left, Door	1	
8	589 19 76-02	HANDLEBAR BRACKET	Adjustable Handle, Left	1	
9	587 19 89-01	BOLT	Door, Pivot. 3/8-16	1	
10	587 28 11-01	SCREW	Hi-Lo, 5/16-14 X T-45	3	
11	817 00 05-10	BOLT	Hex, 5/16	2	
12	586 92 27-01	MULCHING PLUG		1	
13	586 13 75-01	INSERT	Rear	1	
14	586 69 88-01	GUARD	Rear	1	
15	587 43 82-01	SCREW	Hi-Lo, 5/16-14 X 4.10	1	
16	581 12 76-01	SCREW	1/4-20 Tri-lobe	8	
18	581 84 04-01	DUST COVER	Wheel, Front/Rear	4	
19	532 19 74-80	O-RING		4	
20	532 06 77-25	WASHER	1/2 X 1-1/2 X .134	4	
21	532 40 48-35	PINION	14 Tooth, AWD	4	
22	812 00 00-58	E-CLIP	7/16, RE-Style	4	
24	532 40 91-48	NUT	Hex Flange, 3/8-16	4	
25	532 41 97-35	HOSE FITTING	Blue	1	58
26	501 45 78-01	HOUSING ASSY	"21" AWD"	1	
27	584 29 94-01	SCREW EHHFT	Hi-Lo, 5/16 X 1.00	4	
28	532 41 55-85	LOCKWASHER	Star	1	58
29	532 41 55-86	LOCKING NUT	Hex	1	58
30	589 29 10-02	BRACKET	Idler, AWD	1	
31	587 96 92-01	PULLEY	Idler	1	
32	581 12 76-01	SCREW	1/4-20 Tri-lobe	1	
33	586 69 86-01	BAFFLE	Front	1	
34	817 00 05-10	BOLT	Hex, 5/16	2	
35	587 59 98-01	SCREW	Hi-Lo, 13-16 X.750	2	
36	586 56 04-01	BELT COVER	Belt/Rear Baffle	1	
37	580 36 46-09	BELT	Drive, AWD	1	
38	586 96 30-01	PULLEY	Transmission, AWD	1	
39	532 16 34-09	SCREW	12 X 5/8, Hi/Lo Thread	2	
40	581 15 25-02	BRACKET	Rear Transmission	1	
41	586 96 30-01	PULLEY	Transmission, AWD	1	
42	586 13 76-01	TRANSMISSION	AWD, Rear	1	
43	532 40 48-45	PAWL, DRIVE	Drive	2	
44	587 08 10-01	STRIPPER	Stripper	1	
45	587 59 98-01	SCREW	Hi-Lo, 13-16 X.750	1	
46	581 72 61-01	BOLT	Shoulder, 1/4-20 Tri-lobe	1	
47	584 29 94-01	SCREW EHHFT	Hi-Lo, 5/16 X 1.00	1	
48	589 48 62-01	TRANSMISSION	AWD, Front	1	
49	587 43 82-01	SCREW	Hi-Lo, 5/16-14 X 4.10	1	
50	532 40 48-45	PAWL, DRIVE	Drive	2	
51	586 71 37-01	FRONT COVER ASSY	Drive, AWD, Husqvarna	1	
52	587 14 73-01	STRAP	Height Adjuster Bracket	2	
53	581 35 13-01	SPRING	Return, Rear Transmission	1	
54	532 70 10-37	KNOB	Ergonomic	4	
56	586 92 01-09	HEIGHT ADJUSTER	4-Point, Left Front / Right Rear	2	
57	586 92 01-11	HEIGHT ADJUSTER	4-Point, Right Front / Left Rear	2	
58	532 42 11-14	WATER CONNECTOR	Kit	1	25, 28, 29
59	580 36 53-01	WHEEL	8 X 2	4	
61	587 97 30-01	PULLEY		2	
62	581 33 45-01	BOLT		2	
65	874 78 05-12	SCREW		2	
66	532 42 79-42	NUT		2	

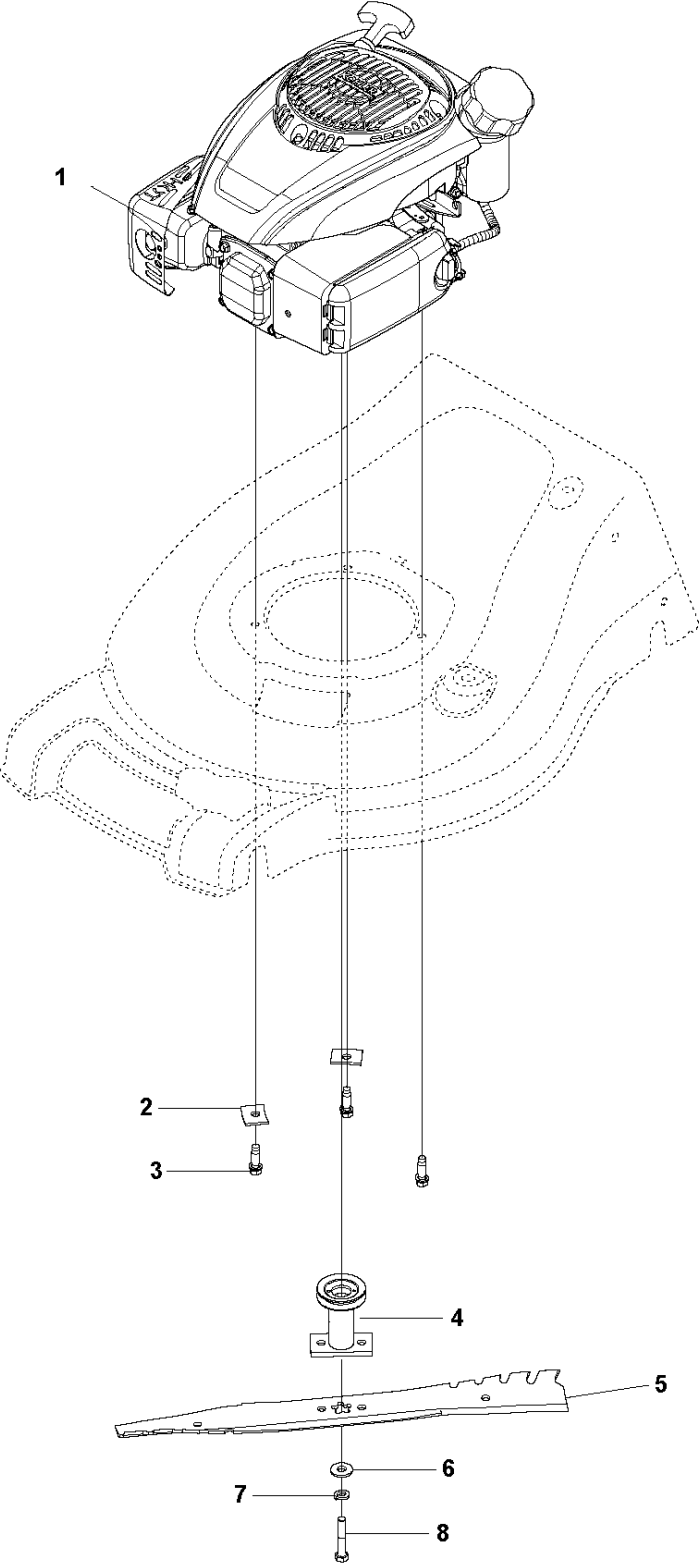


HANDLE

L221AK, 96795910100, 2018-10

Ref	Part No	Description	Remark	QTY KIT
1	587 47 83-02	BAIL ARM ASSY	Straight, Overmolded, Operator Presence	1
2	501 18 88-01	CABLE	Operator Presence Bail	1
3	589 19 79-02	HANDLEBAR	Upper, Curved	1
4	581 91 26-01	KNOB	T, Rope Guide	1
5	581 90 21-01	GUIDE	Rope	1
6	532 43 00-34	BRACKET	Upstop bracket	1
7	588 04 04-01	BOLT	Concave Head, Retaining	2
8	593 27 04-01	HANDLEBAR ASSY	Lower 2 piece, 3 Position	1
9	532 18 23-98	KNOB	Handle, Star	2
10	532 19 79-91	CLIP	P/Cable	1
11	532 42 81-24	FASTENER	Push, 0.250 X 0.783	1
12	532 19 19-38	KNOB	Handle, STANDARD	2
13	532 17 88-48	SCREW	Screw 10-16x5/8 Hex	1
14	194185428	TBD	"Bail Drive UB 21"" EEF"	1
15	587 10 04-09	GRASS BAG ASSY	"Husqvarna 21"" AWD"	1
16	586 92 91-02	BAG FRAME		1
17	582 59 86-01	DRIVE CABLE	"Drive, Under-bail, 21"" AWD"	1

C L221AK
ENGINE



ENGINE

L221AK, 96795910100, 2018-10

Ref	Part No	Description	Remark	QTY KIT
1	000 00 00-00	W/O DESCRIPTION	""XTX675-3017 (For engine service and replacement parts, call Kohler at 1-800-544-2444)""	1
2	532 12 50-78	WASHER	Engine	2
3	532 15 04-06	BOLT	Engine, 3/8-16	3
4	590 04 42-01	ADAPTER	"25, 21"" AWD"	1
5	586 85 96-02	BLADE	High Lift	1
6	532 85 10-74	WASHER	Hardened	1
7	532 85 02-63	WASHER	3/8, Helical Spring	1
8	582 38 84-01	BOLT	Blade, Hex Head Machine Screw	1