



Wood Sofa Ramp Care & Use Guide

Thank you for purchasing the Solvit Wood Sofa Ramp. The package should contain: two 17-inch platforms with carpet; one 10-inch platform with carpet; two angled support braces; two straight support braces; back leg main section with bottom "foot" section; back leg extension piece; and one polybag, including: sixteen short screws, four long screws, twenty washers, two cap nuts, a hex wrench and open wrench.

Assembly: On a clean, flat area, assemble the back leg main section and bottom "foot" section, using two long screws and washers, as shown in Fig A. At the same time, fit the two support braces with angled sides over the dowels in the back leg section, making sure the ends of the support braces without side holes point away from the bottom "foot" section, as shown in Fig B. Lay the 10-inch platform carpet-side down and locate the two pairs of threaded inserts on the underside. Using four short screws and washers, fasten the angled support braces to the platform as in Fig C.

Fig. A

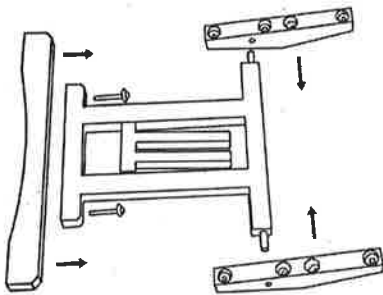


Fig. B

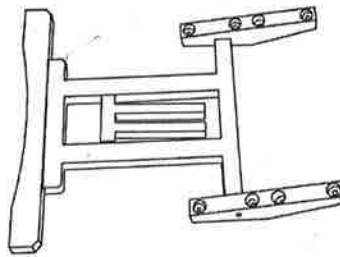
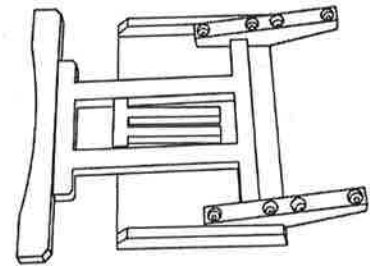


Fig. C



Position the 17-inch platform with mounting blocks next to the top platform, making sure the mounting blocks are closer to the top platform. Tilt the upper platform slightly so the angled support brace overlaps the threaded inserts in the 17-inch section and fasten with four short screws and washers, as in Fig D. Place the other 17-inch platform next to this assembly, position the straight support braces over the threaded inserts, and fasten with eight short screws and washers, as in Fig E.

Fig. D

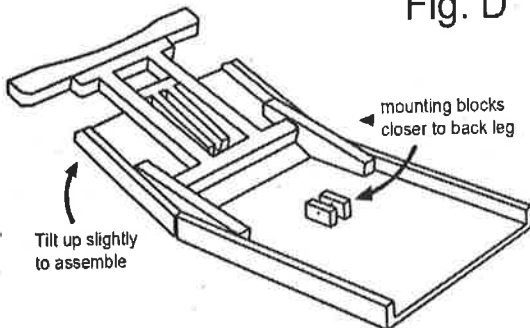
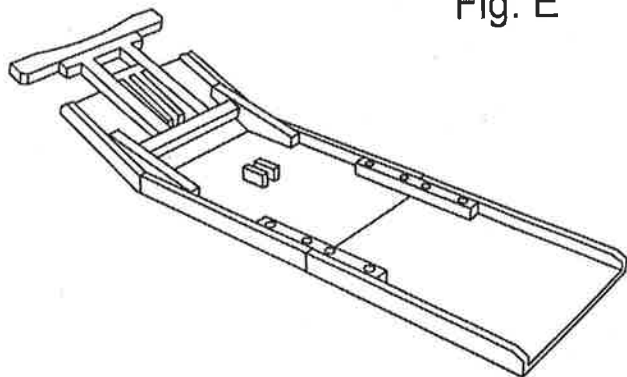


Fig. E



Position the angled end of the back leg extension piece between the mounting blocks on the middle platform, so the angled edge is facing down (see Fig F). Insert a long screw through the holes in the mounting blocks and through the end of the extension piece and fasten with cap nut and washer. Swivel the back leg assembly forward until the extension piece fits within the “prongs” on the back leg assembly. Align the holes on the “prongs” with the hole on the end of the extension piece and fasten with a long screw, cap nut and washer.

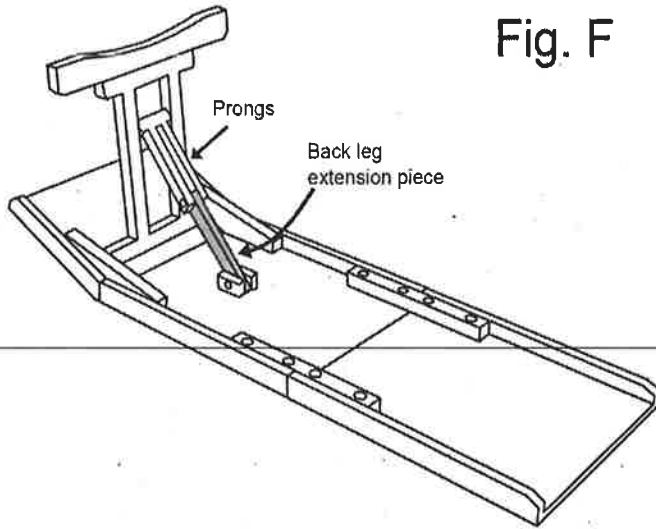


Fig. F

Go over the entire assembly to make sure the screws are tight, then carefully flip the unit over for use. With the back leg in correct position, the back leg extension piece will “lock” in place so the back leg will remain extended when the ramp is lifted. To fold the back leg down for storage, carefully press up on the back leg extension piece to “unlock” it for folding.

Cleaning: The wood sections can be cleaned with a damp cloth or furniture cleaner. Carpet sections can be treated with household carpet cleaner.

Limited Lifetime Warranty: The Sofa Ramp is warranted to be free from defects in materials or workmanship for the life of the product. Some restrictions apply, so please visit our website for more details. A copy of the original sales receipt is required for warranty issues.

SOLVIT Products is dedicated to offering innovative solutions to improve pets' mobility. Please feel free to contact us with any questions, comments, or warranty issues. Thank you for your purchase!