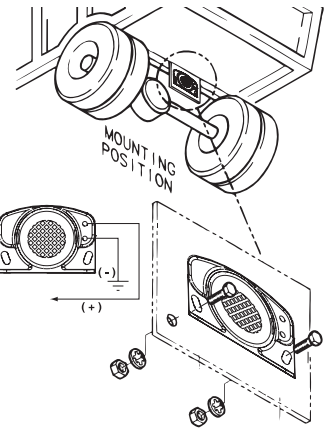
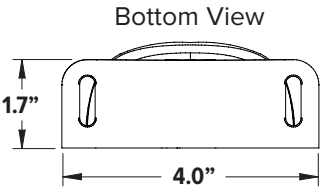
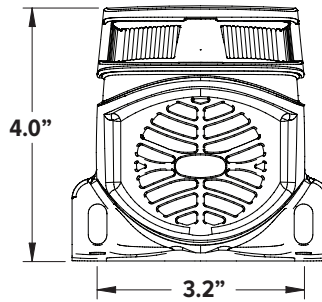


CAUTION
Back Up Alarm should be louder than surrounding noise level. Check local codes and regulations to ensure compliance.



General Instructions:

1. Read all instructions before installing.
2. Disconnect battery before installing.
3. Do not mount alarm near exhaust system or other sources of excessive heat.
4. Do not mount alarm where it can be damaged by backing vehicle into an obstacle.
5. Do not mount alarm in enclosed area; sound level will be greatly reduced.
6. Mount alarm in vertical position, as high as possible above ground, centered between rear wheels and facing towards rear of vehicle as shown in drawing.
7. Using alarm as a template, mark, center punch and drill 2 3/16" holes for #10 screws. Use 2 #10 screws, lock washers and nuts (not provided) to secure alarm to vehicle.
8. Route wires carefully to avoid potential damage.
9. Consult wiring instructions below when connecting circuitry.
10. Alarm should be tested daily. Results should be recorded in the vehicle's maintenance file.
11. Attach warning sticker (provided) to dashboard in full view of operator.



Wiring
+ (12Vdc)
- (Ground)

Modes	Functions	Red	Orange	Green	White	Black	Alarm	LEDs
Normal Alarm	Vehicle Backing Up - Reverse	+				-	✓	✓
Night Silent	When Park Light ON	+	+			-		✓
Override Night Silent	When Fog Light ON with Park Light	+	+	+		-	✓	✓
Alarm Only	When Flashing Not Needed	+			+	-	✓	
Flashing Amber Only	When Dashboard Switch ON	+		+		-		✓



Alarm must be fused appropriately in all instances. If you are in doubt, contact Jameson at 800.346.1956.
NOTE: Improperly fused/installed product will invalidate the warranty.

Warranty

Jameson back-up alarms carry a warranty against any defect in material and workmanship for a period of one (1) year from date of shipment unless failure is due to misuse or improper application. Jameson shall in no event be responsible or liable for modifications, alterations, misapplications or repairs made to its products by purchaser or others. This warranty is limited to repair or replacement of the product and does not include reimbursement for shipping or other expenses incurred. Jameson disclaims any other express or implied warranty.