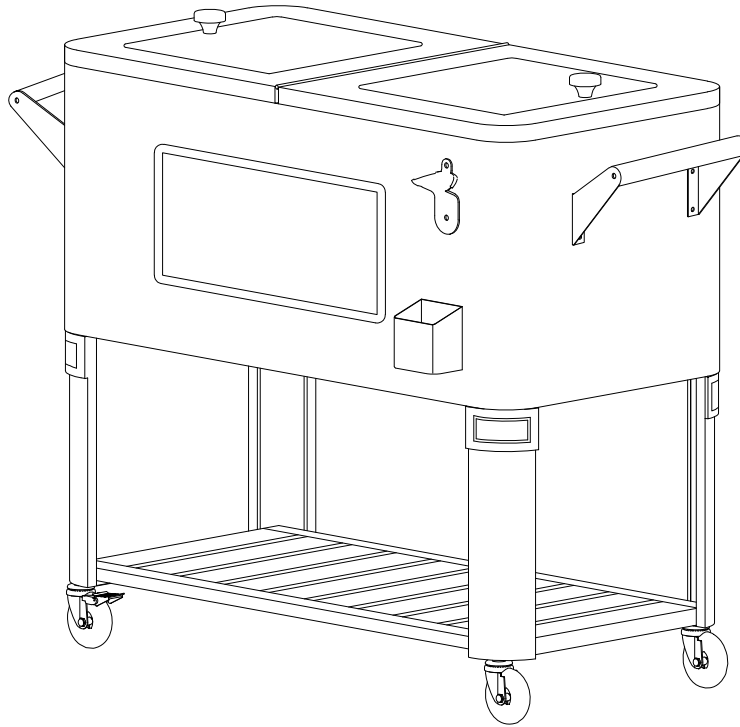


ASSEMBLY INTRUCTION

ITEM#: D-BC259PST-A-G



Two AA batteries needed, not included.

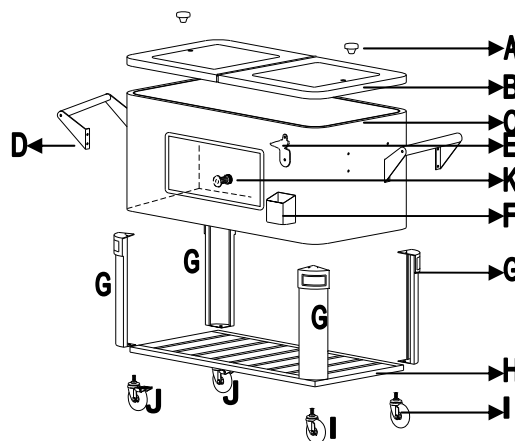
WARNING:

- Keep all children and pets away from assembly area. Children and pets should be supervised when they are in the area of the Cooler construction.
- Keep assembly area at least 6 feet from any obstruction such as a fence, garage, house, overhanging branches, laundry line or electrical wires.
- Some parts may contain sharp edges. When assembling and using this product, basic safety precautions should always be followed to reduce the risk of personal injury and damage to the product. Please read all instructions before assembly and use.
- Check all bolts for tightness before use. **IMPORTANT** - check and tighten bolts often to keep them secure!

Important: For technical assistance on assembly or replacement parts, please call Sunjoy Industries at 1(866) 578-6569 from 8:00 AM EST to 8:00 PM PST. You may email to customer.care@sunjoygroup.com or visit www.sunjoyonline.com to place your order or fax your parts replacement order form (which is included in the packaging) together with your purchase receipt to 1 (740) 283-3549 for assistance.

PARTS LIST

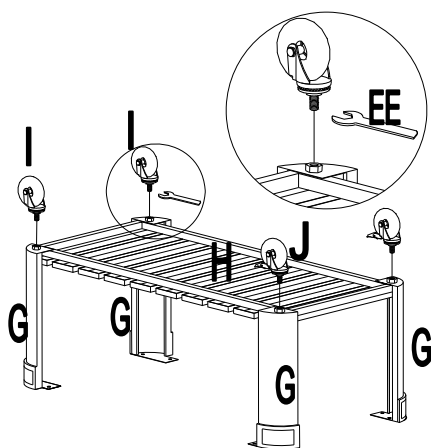
Label	Part Number	Description	QTY
A	BC0259XAB01	Knob	2
B	BC0259XAB02	Lid	1
C	BC0259XAG01	Body	1
K	BC0259XAB04	Drain plug (preassembled)	1
E	BC0259XAB05	Bottle opener	1
F	BC0259XAB06	Cap catcher	1
D	BC0259XAB07	Handle	2
G	BC0259XAB08	Leg	4
H	BC0259XAG02	Bottom shelf	1
I	BC0259XAB10	Caster w/o brake	2
J	BC0259XAB11	Caster w/ brake	2



HARDWARE PACK

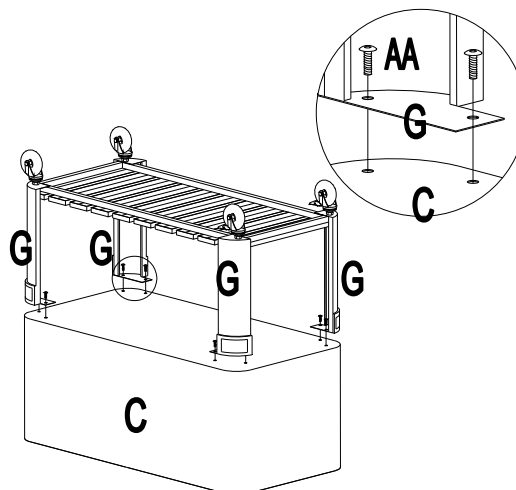
Label	Part Number	Description	QTY
AA	YM06012C	Bolt M6x12 (preassembled)	8
BB	SM05010C	Bolt M5x10 (preassembled)	2
CC	SM05035C	Bolt M5x35 (preassembled)	2
DD	SM06010C	Bolt M6x10 (preassembled)	8
EE	W18D	Wrench M12	1
FF	A04D	Hex key M6	1
GG	VD05C	Washer M5 (preassembled)	2

ASSEMBLY STEPS



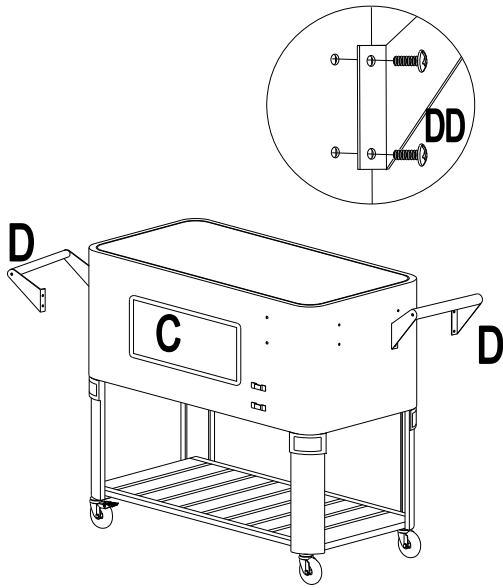
Step 1:

Attach Caster w/o brake (I) to Bottle shelf (H) by using Wrench (EE). Repeat the same step to Caster w/ brake (J) and Bottle shelf (H). (Pay attention to the position of Leg (G).



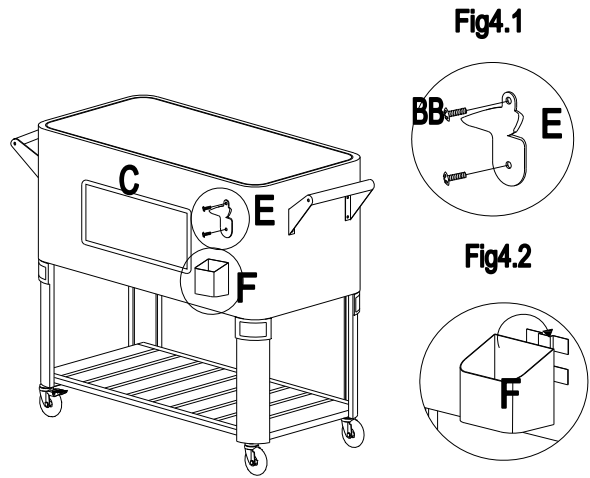
Step 2:

Take preassembled Bolt (AA) from the bottom of Body (C), place Body (C) upside down, connect Leg (G) to Body (C) by Bolt (AA). Tighten all bolts by Hex key (FF).



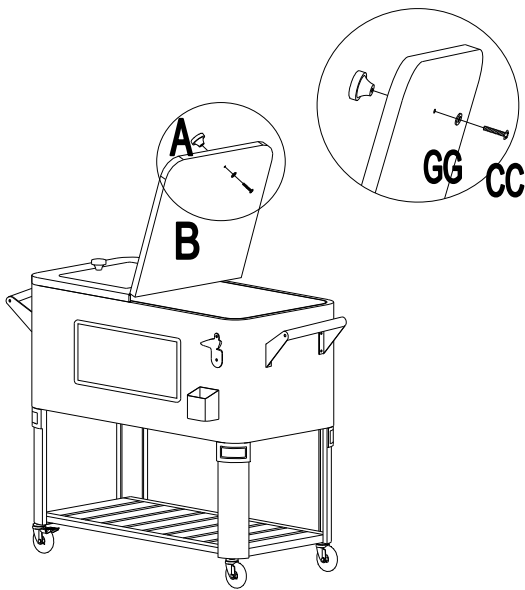
Step 3:

Take Bolt (DD) preassembled on the side of Body (C) down. Attach Handle (D) to Body (C) with Bolt (DD).



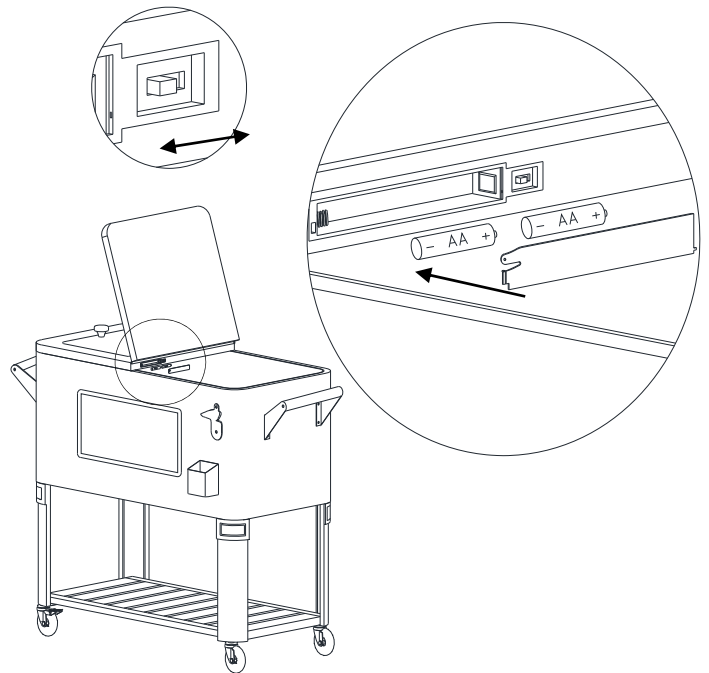
Step 4:

Take Bolt (BB) preassembled on the side of Body (C) down. Turn the assembled unit upright. Attach Bottle opener (E) to Body (C) with Bolt (BB) as Fig4.1. Then attach Cap catcher (F) to Body (C) as Fig4.2.



Step 5:

Take Bolt (CC) and Washer (GG) preassembled on Lid (B) down. Attach Knob (A) to Lid (B) with Bolt (CC) and Washer (GG). Then place the lid on the body.



Step 6:

Place two AA batteries (batteries not included) into the battery case and close the case cap. You can turn on/off the light by the switch at the right side.

Care & Maintenance:

- Before using, clean the cooler with a soft dry towel.
- Drain the water in the cooler and dry the cooler with a soft towel.
- We recommend the use of furniture covers (not included) to protect your cooler while not in use.

Product Components Maintenance:

FOR IRON COMPONENTS:

- 1) Our iron components for garden accessories and furniture are finished using a powder coating process that protects it from rusting. However, due to the nature of iron, surface oxidation (rusting) will occur if these protective coatings are scratched. This is a natural process and is not a defect. To minimize this condition, use care when assembling & handling the product to prevent scratching the paint. Should any scratching or damage occur, immediately touch-up with rust inhibiting paint, which is readily available at a local hardware store. Surface rust can also be easily removed with a very light application of cooking oil. If rusting occurs and if no measure is taken to inhibit this, the rust may start dripping onto a deck or patio and cause damaging stains that may be difficult to remove. This can be prevented if measures are taken to keep the product from rusting.
- 2) To prolong the life of your cooler, it is recommended that you drain out all liquid and thoroughly dry your cooler after every use. Not complying with this care requirement can cause premature rusting and water deposits (metal interior) or molds and mildew (for plastic interior).

WARRANTY (6-month warranty)

Thank you for purchasing this SUNJOY product. These products have been made to demanding, high-quality standards and are guaranteed for domestic use against manufacturing faults. This warranty does not affect your statutory rights.

The product is guaranteed if used for normal trade purposes. Any warranty is invalid if the product has been overloaded or subject to neglect, improper use or an attempted repair other than by an authorized agent. Heavy-duty or daily professional/commercial usage are not guaranteed. Due to continuous product improvement, we reserve the right to change the product specifications without prior notice.