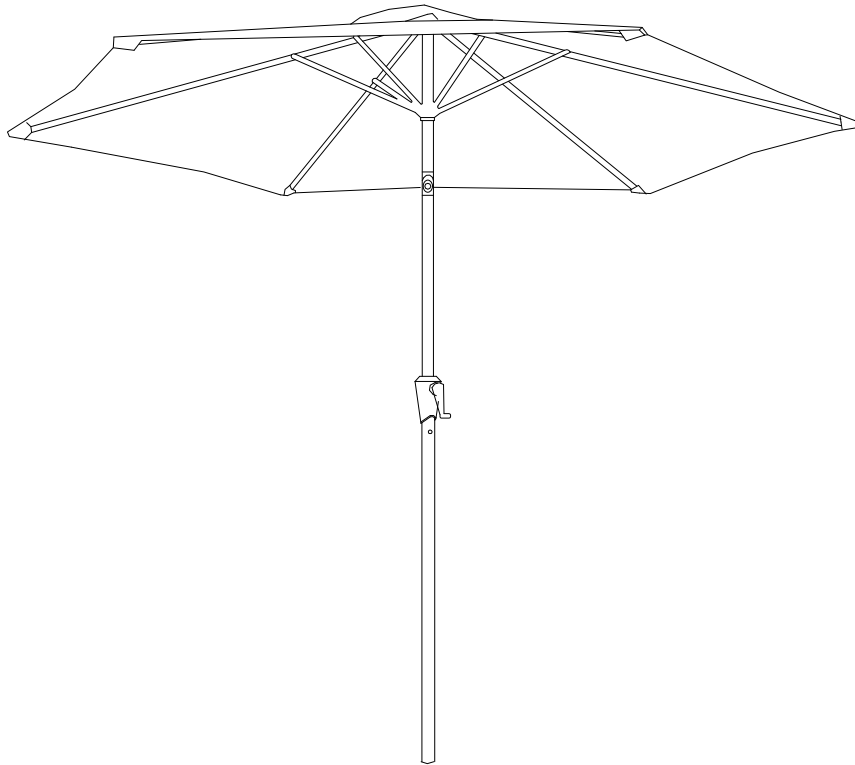


ASSEMBLY INSTRUCTION

ITEM#: S-UM276PST-N



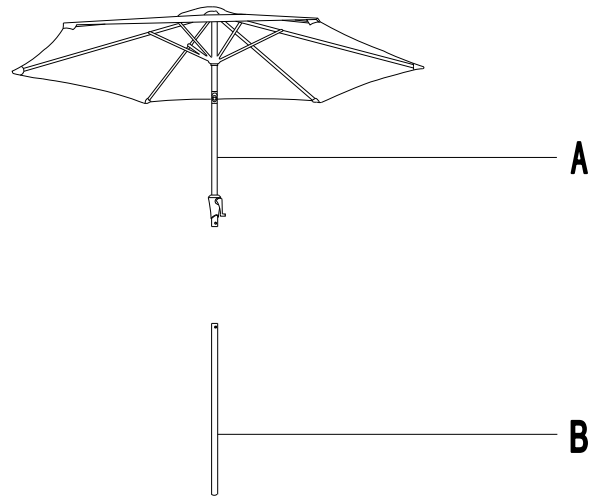
ATTENTION:

1. Keep all children and pets away from assembly area. Children and pets should be supervised when they are in the area.
2. Some parts may contain sharp edges. Wear protective gloves if necessary during assembly.
3. When assembling and using this product, basic safety precautions should always be followed to reduce the risk of personal injury and damage to equipment. Please read all instructions before assembly and use.
4. Check all bolts for tightness before and during usage.
5. Items used for commercial, contract, other non residential purposes, or items damaged due to acts of nature, vandalism, misuse, or improper assembly are not covered.

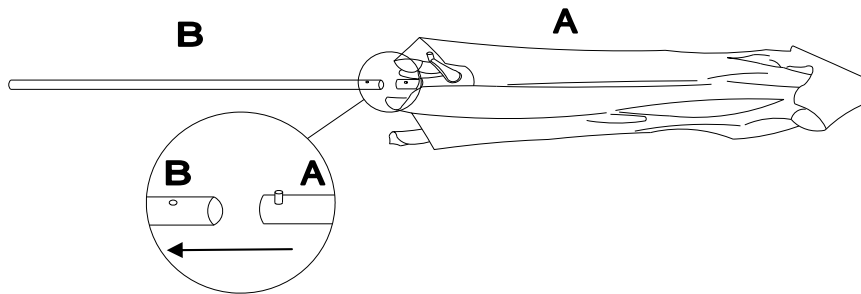
Corrosion or rusting of hardware is not covered. Proof of purchase (dated register receipt) is required for warranty claims. Warranty is to the original purchaser and is non-transferable. Any replacement of warranted items will be in the original style and color, or a similar style and color if the original is unavailable or has been discontinued. As some states do not allow exclusions or limitations on an implied warrant, the above exclusions and limitations may not apply. This warranty gives you specific rights and you may also have other rights, which vary from state to state.

Important: For technical assistance on assembly or replacement parts, please call Sunjoy Industries at 1(866) 578-6569 from 8:00 AM EST to 8:00 PM PST. You may email to customer.care@sunjoygroup.com or visit www.sunjoyonline.com to place your order or fax your parts replacement order form (which is included in the packaging) together with your purchase receipt to 1 (740) 283-3549 for assistance.

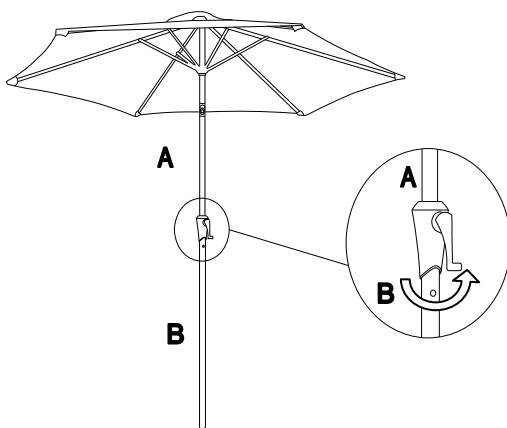
PARTS LIST		
PART#	DESCRIPTION	QTY
A	Umbrella Shade	1
B	Umbrella Support	1



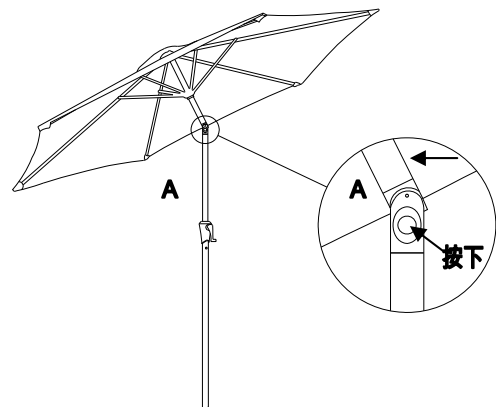
ASSEMBLY STEPS



Step 1: Insert Umbrella support (B) into the Umbrella shade (A).



Step 2: Turn the crank the handle in a clockwise direction to open the umbrella canopy, and in a counterclockwise direction to close the umbrella canopy.



Step 3: You can tilt the umbrella to your desired angle by pressing the tilt button to release the top of the umbrella. Release the button to maintain the desired angle.

MAINTENANCE:

Our iron/steel components for products are coated with rust inhibiting paint that protects it from rusting. However, due to the nature of iron, surface oxidation (rusting) will occur once these protective coatings are scratched. This is a natural process and is not a defect! To minimize this condition, we recommend care when assembling & handling the product to prevent scratching the paint.

Limited Warranty: The item is warranted to be free from defects in material or workmanship for a period of six (6) months. However, we do not reimburse for transportation or delivery costs, nor compensate the individual or any outside party for assembling or disassembling the product. This limited warranty is extended to the original purchaser and applies to defects in materials and workmanship of your item, provided the item is maintained with care and used only for personal residential purposes.