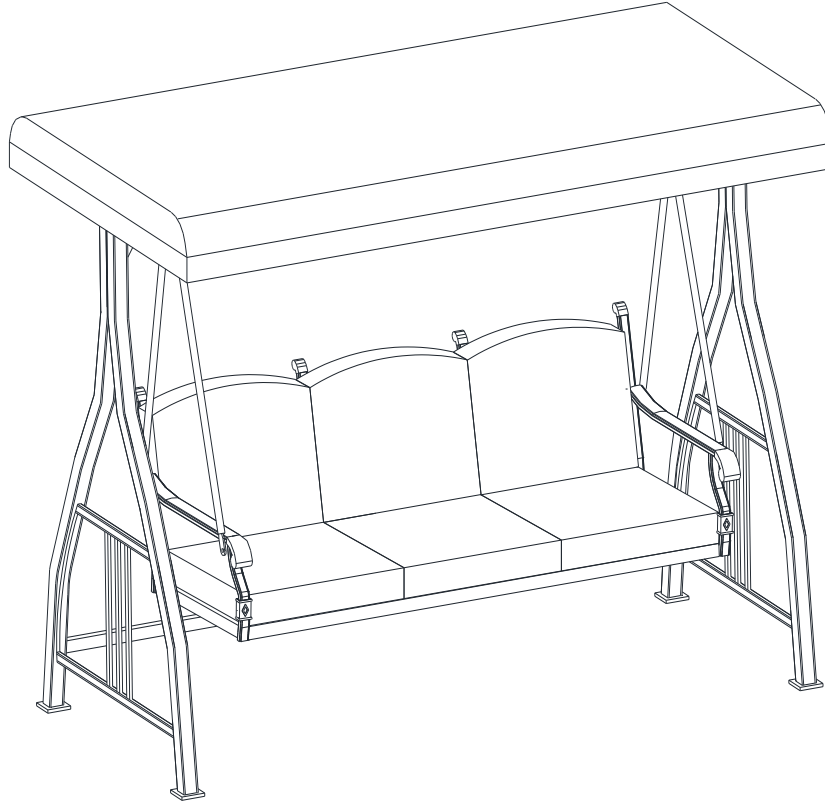


ASSEMBLY INTRUCTION

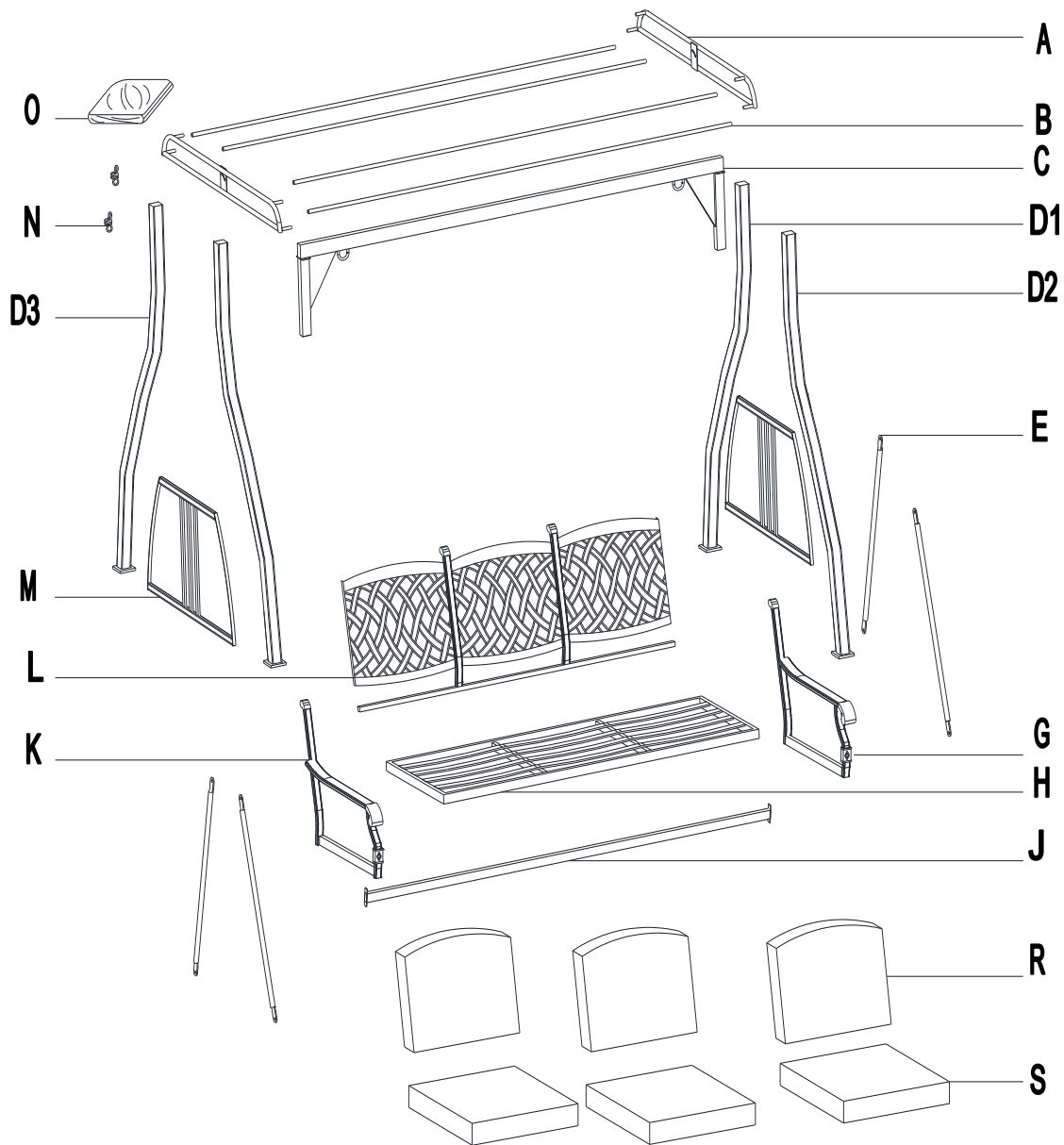
ITEM#: L-DNC716PCO-A

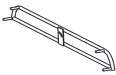














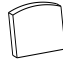



Warning

- Some parts may contain sharp edges. When assembling and using this product, basic safety precautions should always be followed to reduce the risk of personal injury and damage to the product. Please read all instructions before assembly and use.
- Check all bolts for tightness before use, and periodically check and tighten bolts as necessary.

Important: For technical assistance on assembly or replacement parts, please call Sunjoy Industries at 1(866) 578-6569 from 8:00 AM EST to 8:00 PM PST. You may email to customer.care@sunjoygroup.com or visit www.sunjoyonline.com to place your order or fax your parts replacement order form (which is included in the packaging) together with your purchase receipt to 1 (740) 283-3549 for assistance



PARTS LIST				
Part #	Part Number	Description	QTY	Line Drawing
A	DNC0716XXA01	Side frame	2	
B	DNC0716XXA02	Connection Bar	4	
C	DNC0716XXA03	Beam	1	
D1	DNC0716XXA04	Leg tube 1	1	
D2	DNC0716XXA05	Leg tube 2	2	
D3	DNC0716XXA06	Leg tube 3	1	
E	DNC0716XXA07	Hang pole	4	
G	DNC0716XXA09	Arm rest 1	1	
H	DNC0716XXA10	Seat panel	1	
J	DNC0716XXA11	Cross bar	1	
K	DNC0716 XXA12	Arm rest 2	1	
L	DNC0716 XXA13	Back panel	1	
M	DNC0716 XXA14	Side panel	2	
N	GG010709D	Hook	2	
O	DNC0716 XXA15	Canopy	1	
R	DNC0716AXX18	Back cushion	3	
S	DNC0716 XXA19	Seat Cushion	3	

HARDWARE PACK			
Label	Part Number	Description	QTY
AA		Bolt M6x20	18
BB		Bolt M6x35	6
CC		Bolt M6x55	4
EE	W10D	Washer M6	28
GG	PAM08020C	Bolt M8x30	4
DD	TD08C	Spring M8	8
HH	PAM08055C	Bolt M8x90	4
II		普通螺母 M8	4
JJ	W13D	Washer M8	12
LL	MM06020DX1	Knob M6	4
FF		Wrench M8	2
NN		内六角扳手 M6	2
OO		弹垫 M6	28
QQ		塑料华司	4

ASSEMBLY STEPS

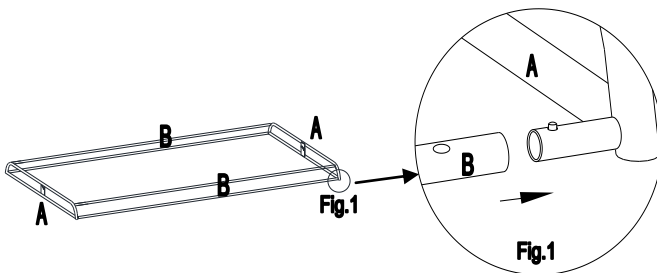
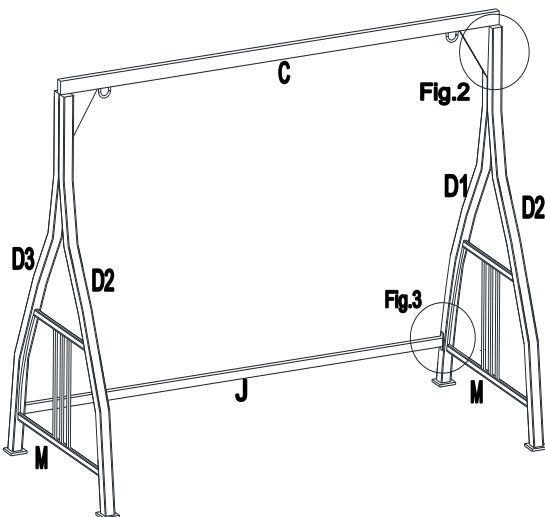


Fig.1: Insert Connection bar (B) in to Side frame (A)



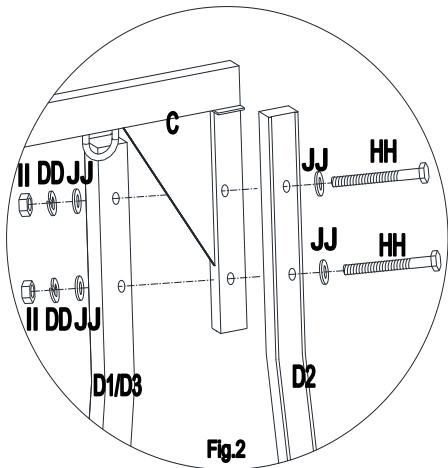


Fig.2: Attach Leg tube 1, 2 ,3 (D1/D2/D3) to Beam (C) with Bolt (HH), Screw (II), Washer (JJ), Washer (DD).

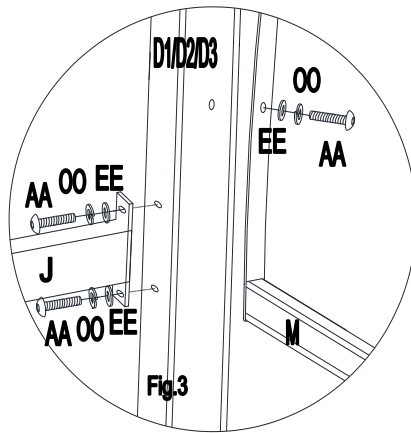


Fig.2: Screw Cross bar (J) on the assembled legs (D1/D2/D3) with Bolt (AA) and Washer (EE)和弹垫 (OO)

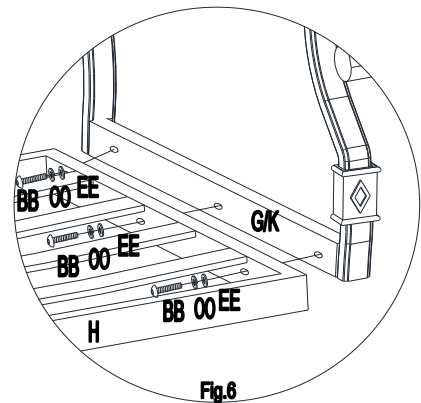
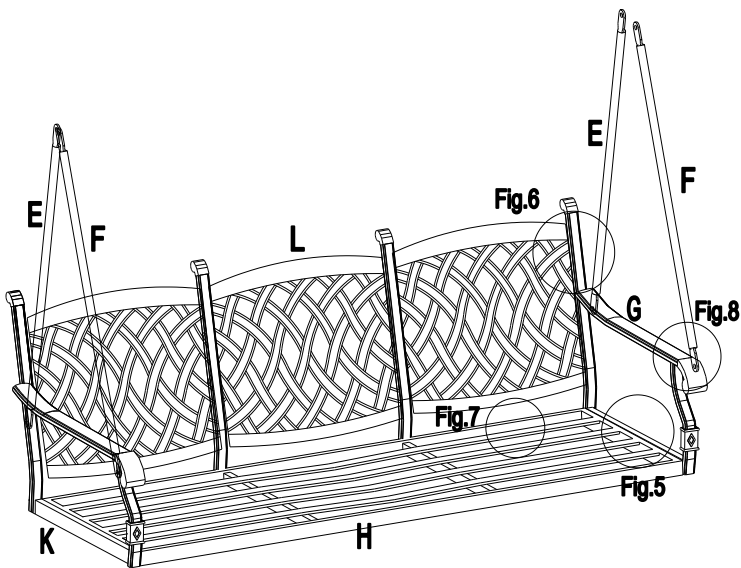


Fig.5: Attach Seat panel (H) and Arm rest (G/K) together with Bolt (BB) , 弹垫(OO)and Washer (EE). Do not tighten them up at this step.

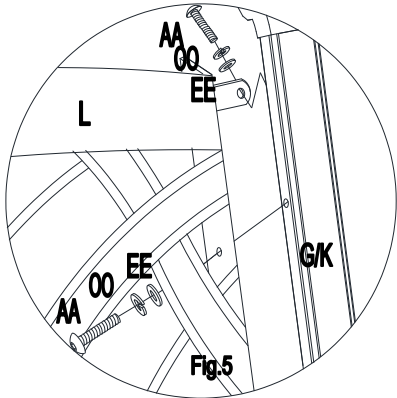


Fig.6: Do the same step to Back panel (L) as Fig.5.

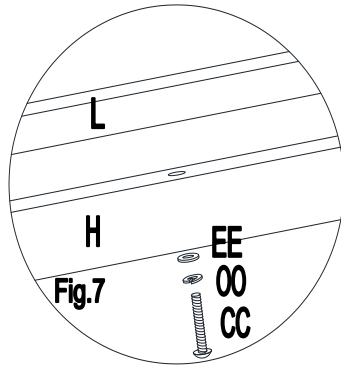


Fig.7: Secure Seat panel (H) and Back panel (L) together with Bolt (CC) ,弹垫(OO)and Washer (EE). Fasten all the bolts and washers for all the steps.

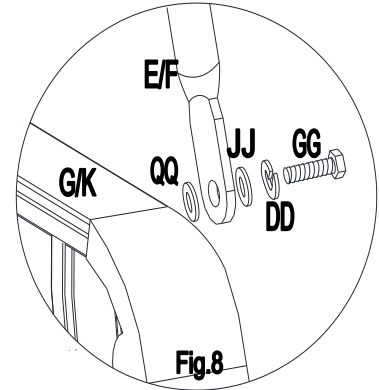


Fig.8: Attach Hang pole 1/2 (E/F) onto Arm rest 1/2 (G/K) with Bolt (GG) , Washer (JJ) and Spring (DD) , 塑料华司(QQ).

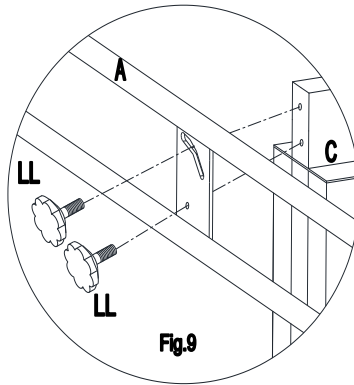
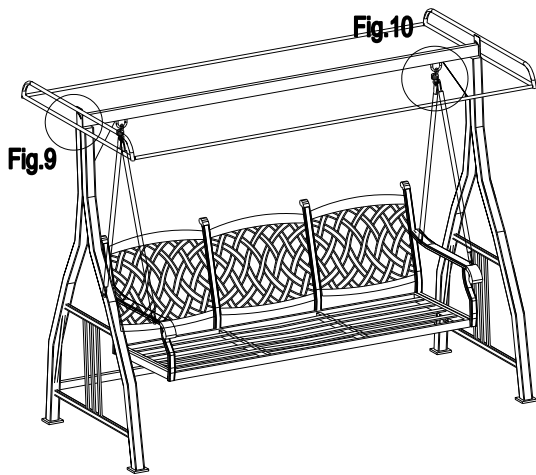


Fig.9: Secure the assembled Side frame (A) and Beam (C) by Plastic knob (LL), which is adjustable using Plastic knob (LL) .

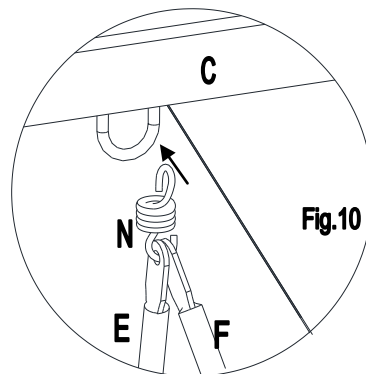


Fig.10: Hook Hang pole 1/2 (E/F) on Hook (N).

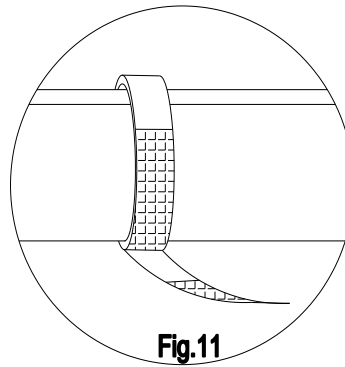
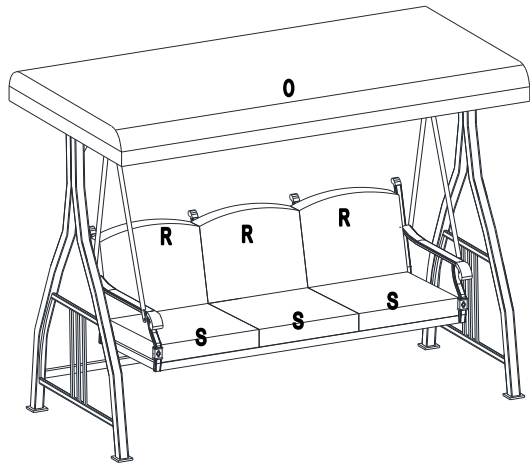


Fig.11: Spread the Canopy (O) on the swing top; Put Seat cushion (S), Back cushion (R), on the assembled swing respectively. Fasten all the hook and loop.

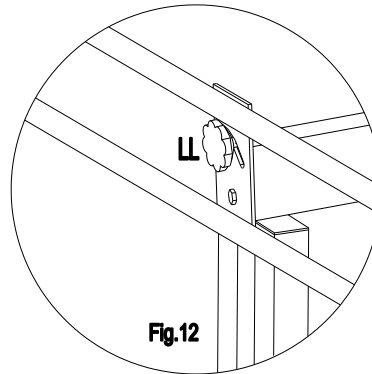


Fig.12: The seat is adjustable by tuning Plastic knob (LL).

Care & Maintenance:

- Before using, clean the product completely with a soft dry towel.
- When not in use, wipe free of any dirt or loose objects, wash with a mild solution of soap and water; rinse thoroughly and dry completely. Do not use strong detergent or abrasive cleaners.
- Steel components of garden accessories and furniture are treated with rust inhibiting paint. However, due to the nature of steel, surface oxidation (rusting) will occur if this protective coating is scratched.
- To minimize this condition, it is recommended that care be taken when assembling and handling the product, in order to prevent the paint from being scratched.

Limited Warranty: The item is warranted to be free from defects in material or workmanship for a period of twelve (12) months. However, we do not reimburse for transportation or delivery costs, nor compensate the individual or any outside party for assembling or disassembling the product. This limited warranty is extended to the original purchaser and applies to defects in materials and workmanship of your item, provided the item is maintained with care and used only for personal residential purposes.

Exclusions

Items used for commercial, contract, or other non-residential purposes, or items damaged due to acts of nature, vandalism, misuse, or improper assembly are not covered. Corrosion or rusting of hardware is not covered. Proof of purchase (dated register receipt) is required for warranty claims. Warranty is to the original purchaser and is non-transferable. Any replacement of warranted items will be in the original style and color or a similar style and color if the original is unavailable or has been discontinued. As some states do not allow exclusions or limitations on an implied warranty, the above exclusions and limitations may not apply. This warranty gives you specific rights, and you may also have other rights, which vary from state to state.