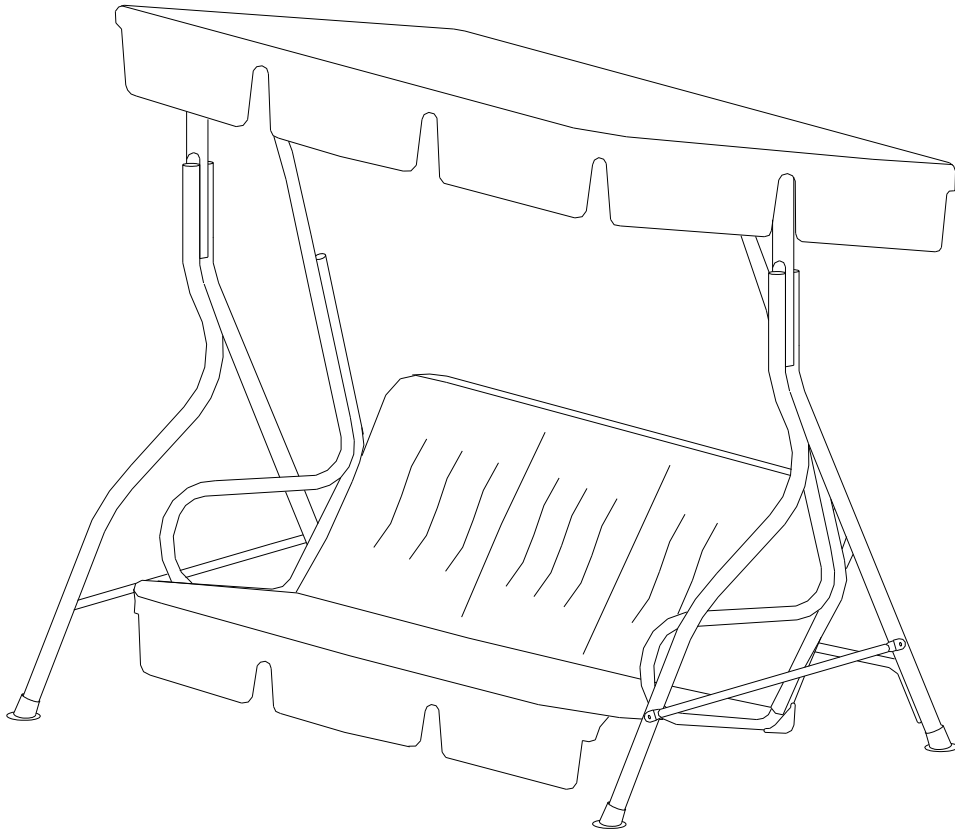


ASSEMBLY INTRUCTIONS




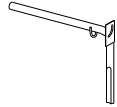




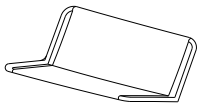
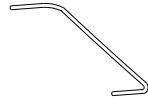

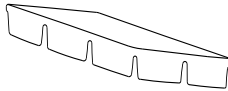
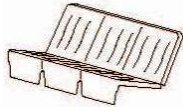
ITEM#: L-DNC373PST-C

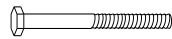

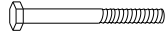
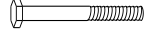
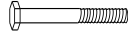
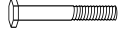
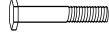





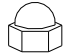

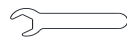



Warning

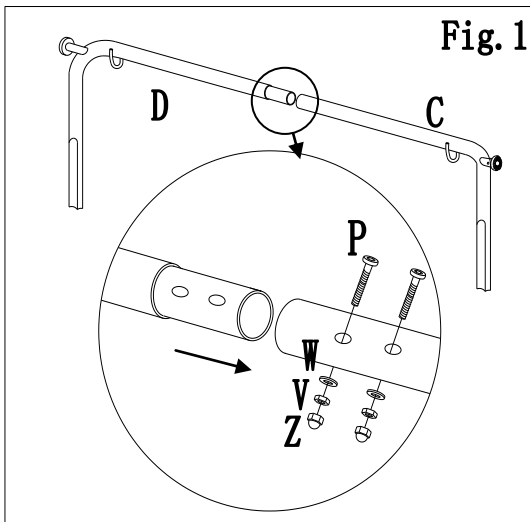
- Some parts may contain sharp edges. When assembling and using this product, basic safety precautions should always be followed to reduce the risk of personal injury and damage to the product. Please read all instructions before assembly and use.
- Check all bolts for tightness before use, and periodically check and tighten bolts as necessary.

Important: For technical assistance on assembly or replacement parts, please call Sunjoy Industries at 1(866) 578-6569 from 8:00 AM EST to 8:00 PM PST. You may email to customer.care@sunjoygroup.com or visit www.sunjoyonline.com to place your order or fax your parts replacement order form (which is included in the packaging) together with your purchase receipt to 1 (740) 283-3549 for assistance.

PARTS LIST			
Label	Description	QTY	Image of Part
A	Front leg	2	
B	Back leg	2	
C	Top support 1	1	
D	Top support 2	1	
E	Bottom support	2	
F	Back support 1	1	
G	Back support 2	1	
I	Handrail	2	
J	Seat	1	
K	Canopy side support	2	
L	Canopy support	2	
M	Canopy	1	
N	Cushion	1	

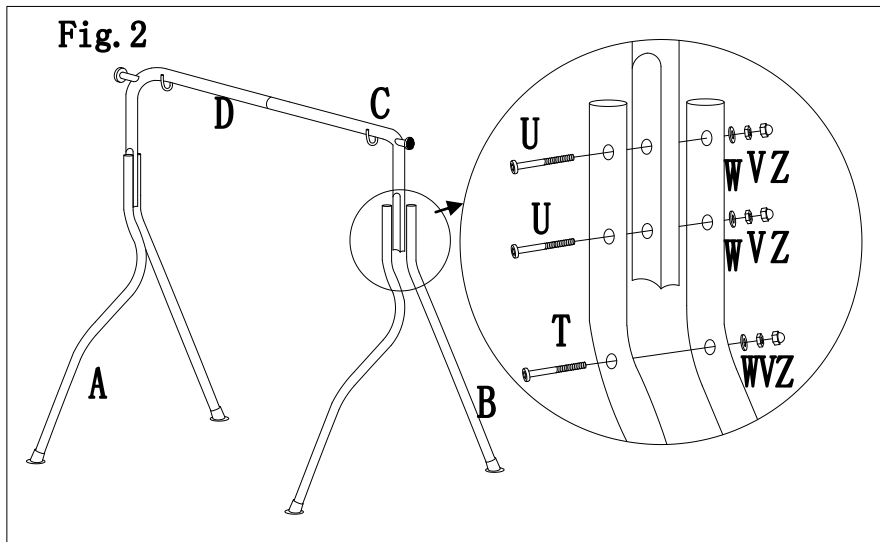
HARDWARE PACK			
Label	Description	QTY	Image of Part
U	Bolt M6x90	4	
T	Bolt M6x85	2	
S	Bolt M6x68	4	
R1	Bolt M6x62	4	
R	Bolt M6x60	2	
Q	Bolt M6x50	4	
P	Bolt M6x45	2	
O	Bolt M6x30	1	
Y	Knob	2	
V	M6 Nut Nut	23	
W	Flat washer M6	23	
X	Flat plastic washer M6	6	
Z	Ball head nut M6	23	
H	Hook	2	
1	Wrench M6	1	
2	Allen Key M6	1	

ASSEMBLY STEPS



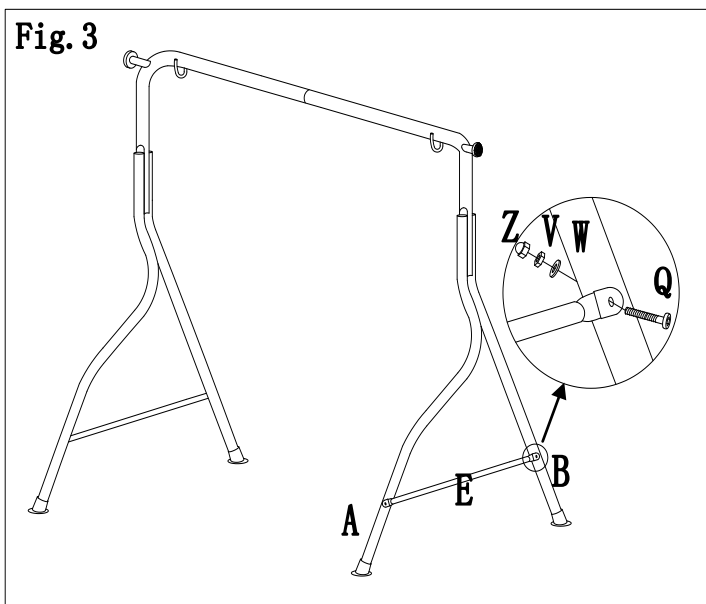
Step 1:

Insert Top support 1 (D) into Top support 2 (C) as Fig.1 shows and attach them together with Bolt (P), Flat washer (W), Nut (V) and Ball head nut (Z).



Step 2:

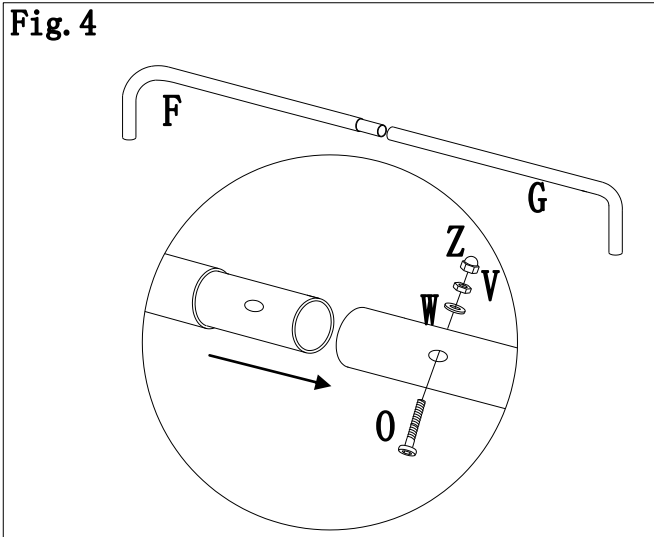
Attach Front leg (A), Back leg (B) and Top support (D/C) together with Bolt (U), Flat washer (W), Nut (V) and Ball head nut (Z). Attach Front leg (A) and Back leg (B) together with Bolt (T), Flat washer (W), Nut (V) and Ball head nut (Z). See Fig.2.



Step 3:

Attach Front leg (A), Back leg (B) and Bottom support (E) together with Bolt (Q), Flat washer (W), Nut (V) and Ball head nut (Z). See Fig.3.

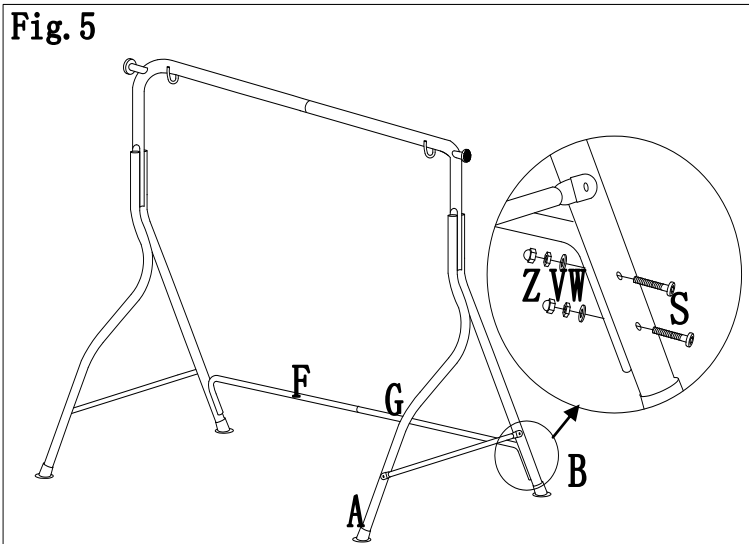
Fig. 4



Step 4:

Insert Back support 1 (F) into Back support 2 (G) and secure them with Bolt (O), Flat washer (W), nut (V) and Ball head nut (Z). See Fig.4.

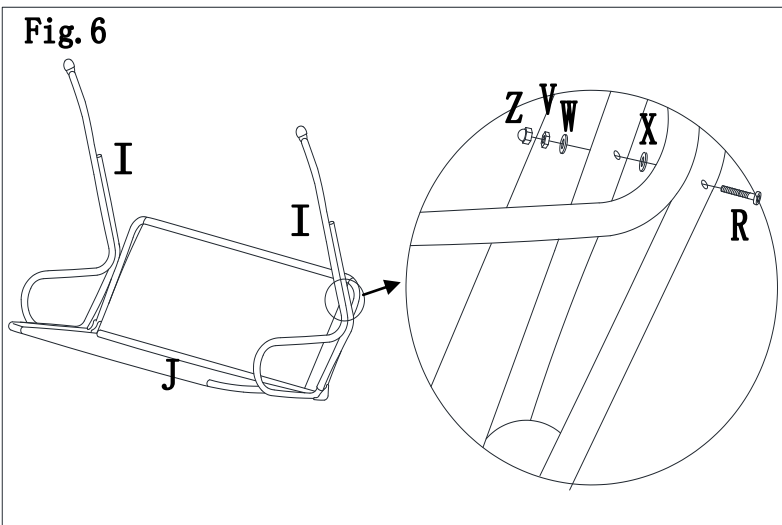
Fig. 5



Step 5:

Attach Back supports (F/G) and Back leg (B) together with Bolt (S), Flat washer (W), nut (V) and Ball head nut (Z). See Fig.5.

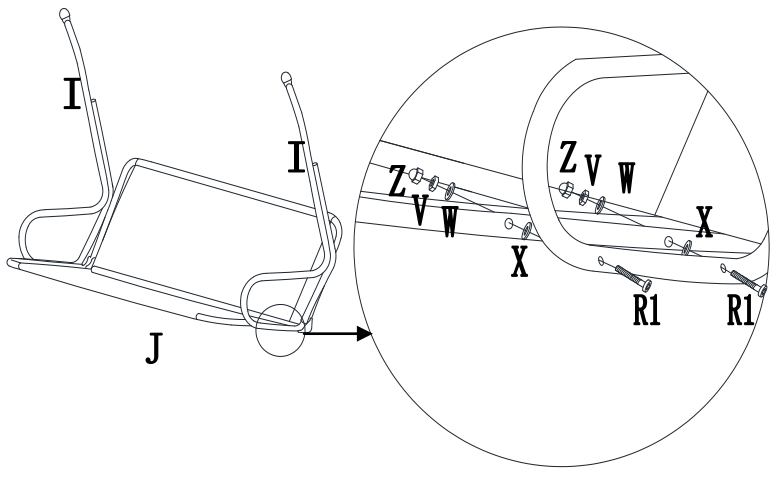
Fig. 6



Step 6:

Attach Handrail (I) and Seat (J) together with Bolt (R), Flat plastic washer (X), Flat washer (W), nut (V) and Ball head nut (Z). See Fig.6.

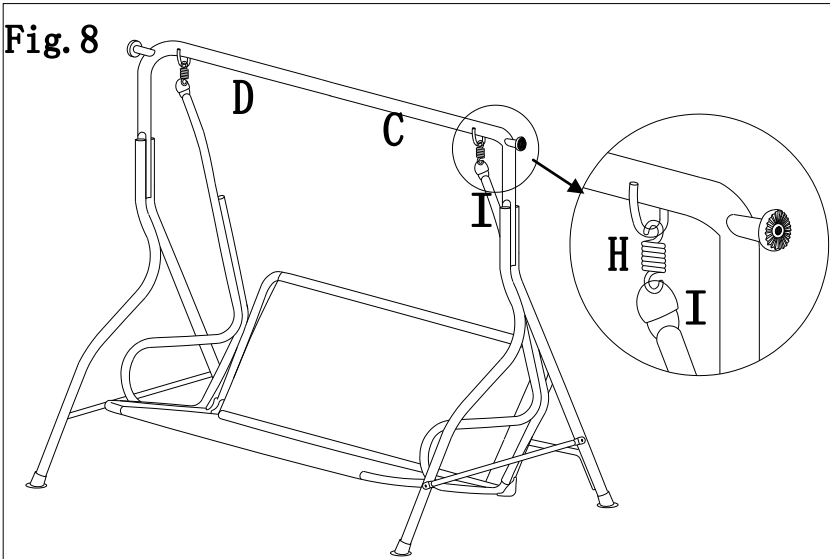
Fig. 7



Step 7:

Attach Handrail (I) and Seat (J) together with Bolt (R1), Flat plastic washer (X), Flat washer (W), nut (V) and Ball head nut (Z). See Fig.7.

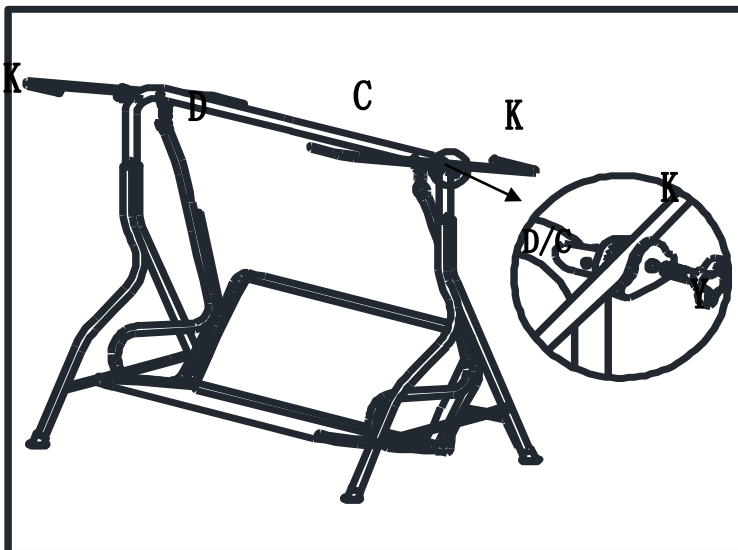
Fig. 8



Step 8:

Attach one end of Hook (H) to Handrail (I) and the other end to Top support (D/C). See Fig.8.

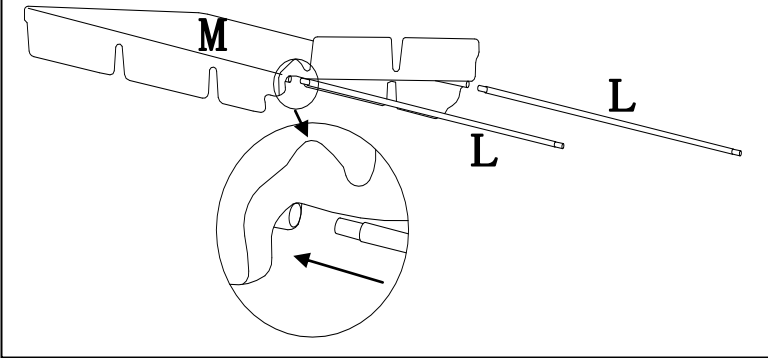
Fig. 9



Step 9:

Attach Top support (D/C) and Canopy side panel (K) together with Knob (Y). See Fig.9.

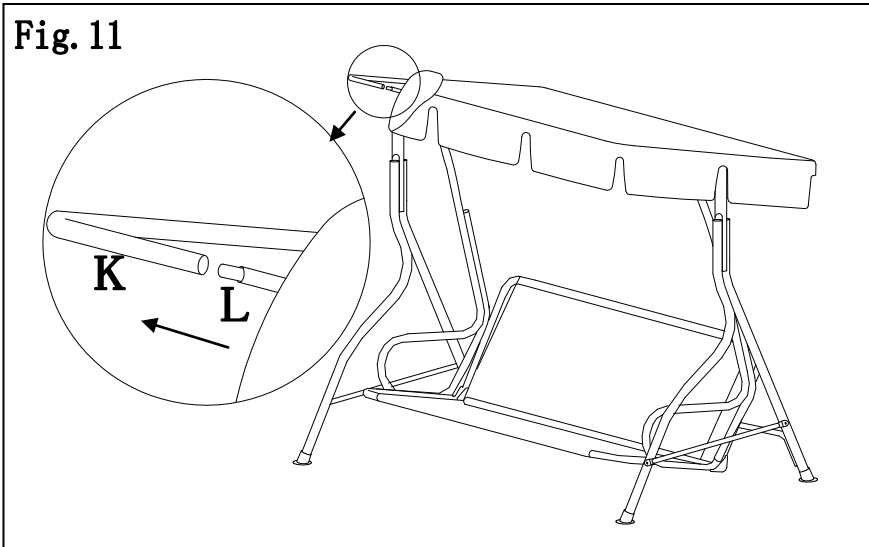
Fig. 10



Step 10:

Insert Canopy support (L) into Canopy (M) as Fig.10arros show.

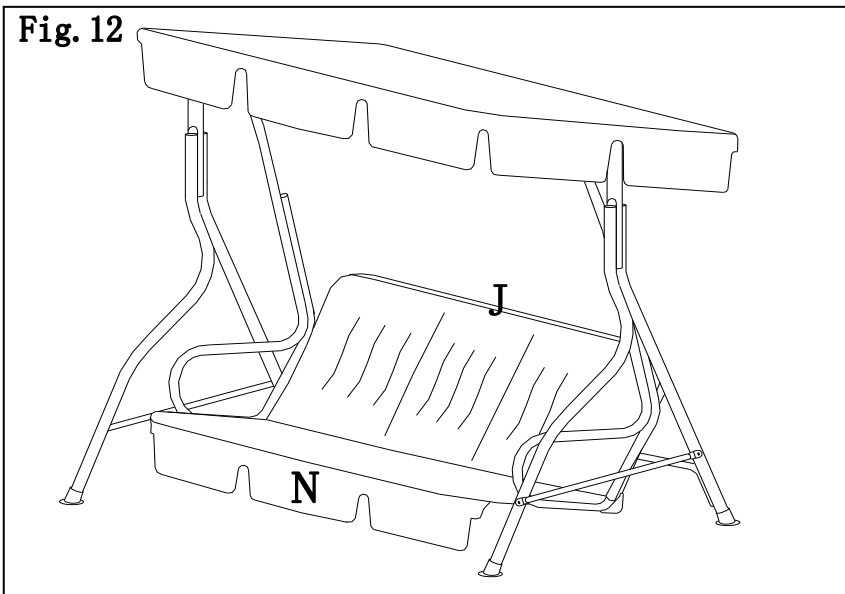
Fig. 11



Step 11:

Insert Canopy support (L) into Canopy side support (K) following the arrow direction on Fig. 11, then spread Canopy (M).

Fig. 12



Step 12:

Attach Cushion (N) on Seat (J).

Care & Maintenance:

- Before using, clean the product completely with a soft dry towel.
- When not in use, wipe free of any dirt or loose objects, wash with a mild solution of soap and water; rinse thoroughly and dry completely. Do not use strong detergent or abrasive cleaners.
- Steel components of garden accessories and furniture are treated with rust inhibiting paint. However, due to the nature of steel, surface oxidation (rusting) will occur if this protective coating is scratched.
- To minimize this condition, it is recommended that care be taken when assembling and handling the product, in order to prevent the paint from being scratched.

Limited Warranty: The item is warranted to be free from defects in material or workmanship for a period of twelve (12) months. However, we do not reimburse for transportation or delivery costs, nor compensate the individual or any outside party for assembling or disassembling the product. This limited warranty is extended to the original purchaser and applies to defects in materials and workmanship of your item, provided the item is maintained with care and used only for personal residential purposes.

Exclusions

Items used for commercial, contract, or other non-residential purposes, or items damaged due to acts of nature, vandalism, misuse, or improper assembly are not covered. Corrosion or rusting of hardware is not covered. Proof of purchase (dated register receipt) is required for warranty claims. Warranty is to the original purchaser and is non-transferable. Any replacement of warranted items will be in the original style and color or a similar style and color if the original is unavailable or has been discontinued. As some states do not allow exclusions or limitations on an implied warranty, the above exclusions and limitations may not apply. This warranty gives you specific rights, and you may also have other rights, which vary from state to state.