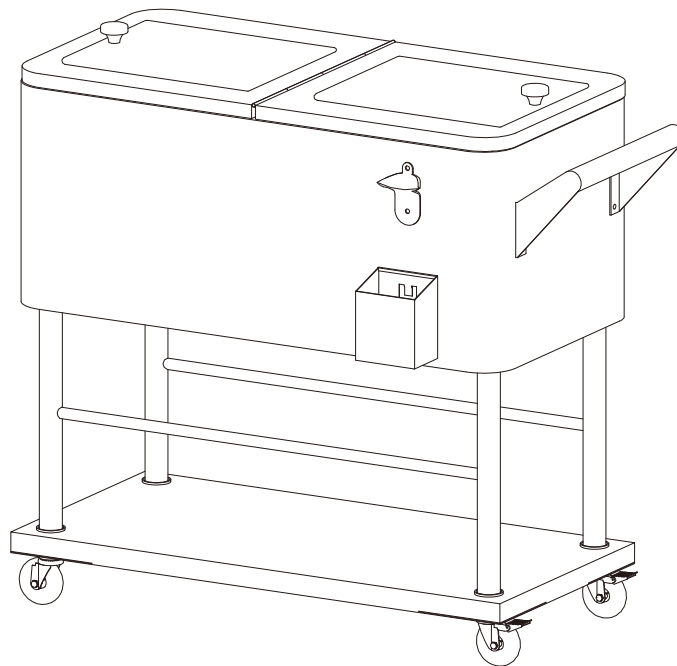


Commercial Stainless Steel 80QT Cooler

ITM.ART. L-BC009PSS-20

Assembly and Care Instructions

IMPORTANT, RETAIN FOR FUTURE REFERENCE: READ CAREFULLY



WARNING:

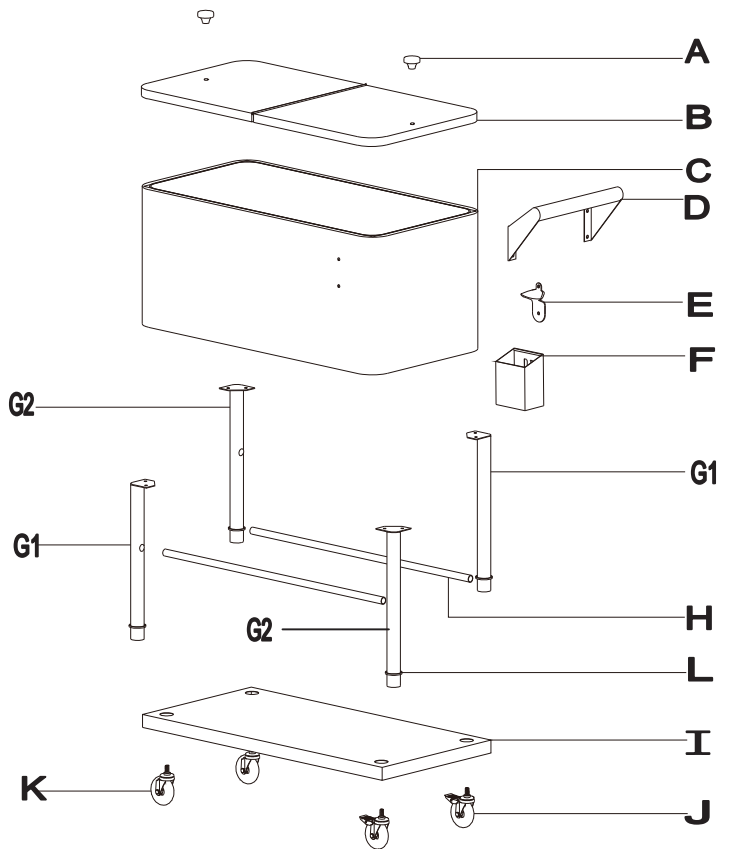
- Keep all children and pets away from assembly area. Children and pets should be supervised when they are in the area of the Cooler construction.
- Keep assembly area at least 6ft/1.8m from any obstruction such as a fence, garage, house, overhanging branches, laundry line or electrical wires.
- Some parts may contain sharp edges. When assembling and using this product, basic safety precautions should always be followed to reduce the risk of personal injury and damage to the product. Please read all instructions before assembly and use.
- Check all bolts for tightness before use. **IMPORTANT** - check and tighten bolts often to keep them secure!
- Assemble on level ground.
- For outdoor use only.

IMPORTANT

Please read all the safety guidelines before usage of your new wood-burning fire pit. The safe burning guidelines are located below and in your owner's manual. If you have any questions regarding this product, please call Sunjoy Industries at 1-866-578-6569 from 8:30AM to 5:30PM EST, or email us at customer.care@sunjoygroup.com, or visit www.sunjoyonline.com for assistance.

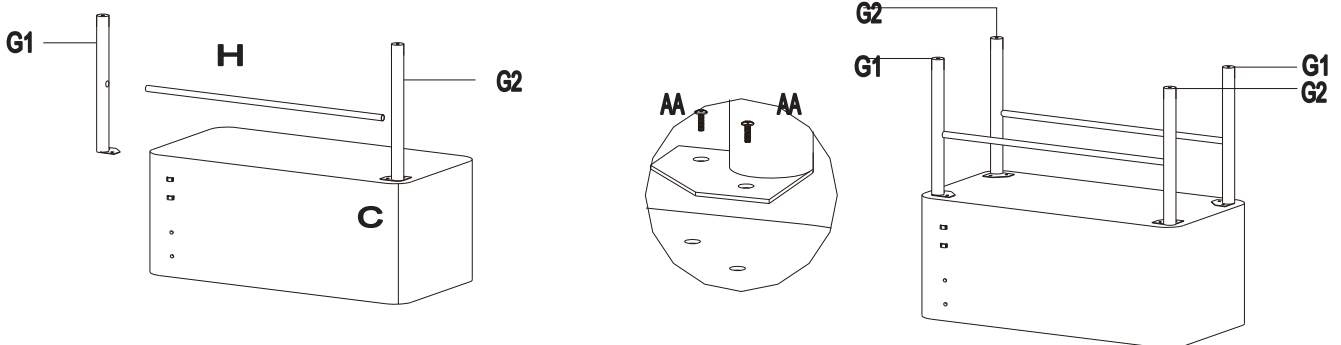
Parts List

No.	Description	Qty
A	Cover Handle	2
B	Cover	1
C	Cooler Body	1
D	Body Handle	1
E	Bottle Opener	1
F	Cap Catcher	1
G1	Leg 1	2
G2	Leg 2	2
H	Rail	2
I	Bottle Shelf	1
J	Wheel (with Brake)	2
K	Wheel (without Brake)	2
L	Decorative Ring	4
AA	Bolt M6x12 (4 Pre-assembled on C)	12
BB	Bolt M5x12 (2 Pre-assembled on C)	2
CC	Bolt M5x35 (2 Pre-assembled on B)	2
DD	Washer M5 (2 Pre-assembled on B)	2
EE	Wrench M12	1



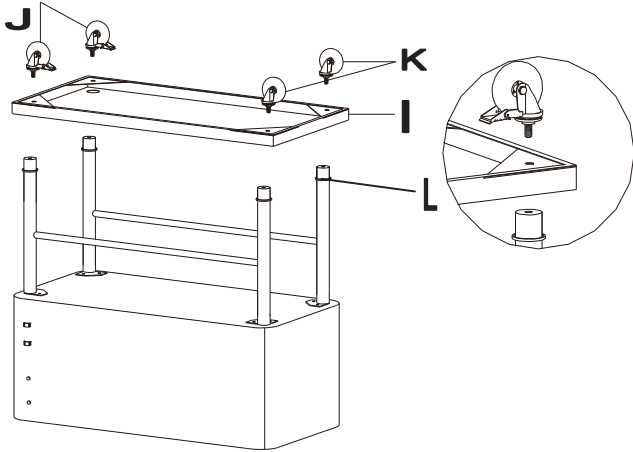
Step 1:

Turn Cooler Body (C) down. Assemble Leg 2 (G2) on the Bottom of Cooler Body by Bolt (AA). Insert one side of Rail (H) into assembled Leg 2 (G2), and insert another side into Leg1 (G1). Then, connect Leg1 (G1) with Body (C) by Bolt (AA). Repeat above steps to assemble the remain legs. Don't lock all the Bolts tightly.



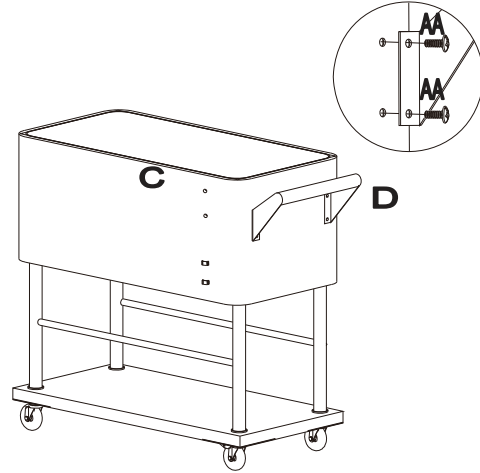
Step 2:

Set Decorative Ring(L) to Leg (G1 & G2). Then turn Bottom Shelf (I) upside down. Insert Leg (G1&G2) in Bottle Shelf (I). Assemble Wheels (J&K) on the right position. Assemble Wheel (J) on Leg which near the Bottle Opener (E) side. Then, assemble Wheel (K) with Leg to the other side. Tighten all the Bolts.



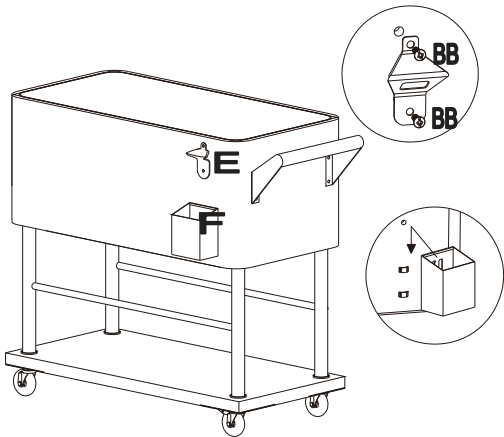
Step 3:

Turn the Assembled Cooler Body (C) 180°. Fix Body Handle (D) on Cooler Body (C) by Bolt (AA), then tighten all the Bolts.



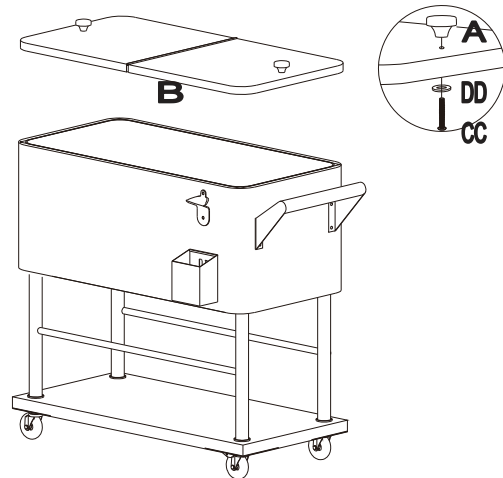
Step 4:

Connect Bottle Opener (E) with Cooler Body (C) by Bolt (BB). Attach the Cap Catcher (F) on Cooler Body(C) directly to the slot on the Cooler body as showed in below picture.



Step 5:

Fix Cover Handle(A) on Cover (B) by Bolt (CC), and Washer (DD). Put Cover (B) on Cooler Body (C). Tighten all the Bolts. Assembly Completed!



Care & Maintenance

Before using, clean the cooler completely with a soft dry towel. Drain away all the water in the cooler, clean and dry the cooler completely with a soft towel after use.

Due to natural properties of the material, if rust develops, clean rust area by sanding slightly, then wipe thoroughly.