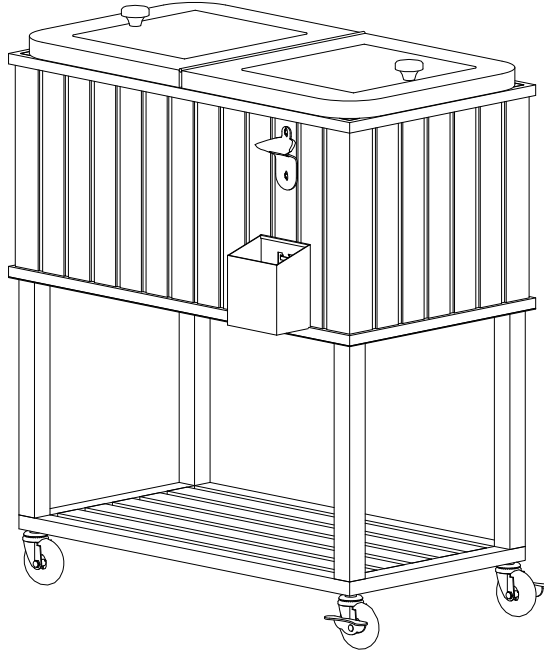


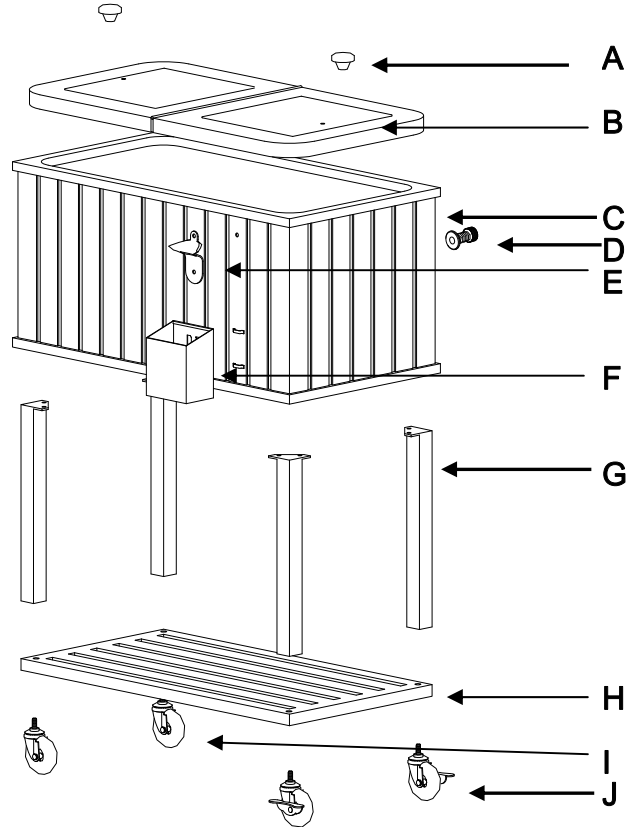
Assembly Instructions

Item#D-BC005PST#

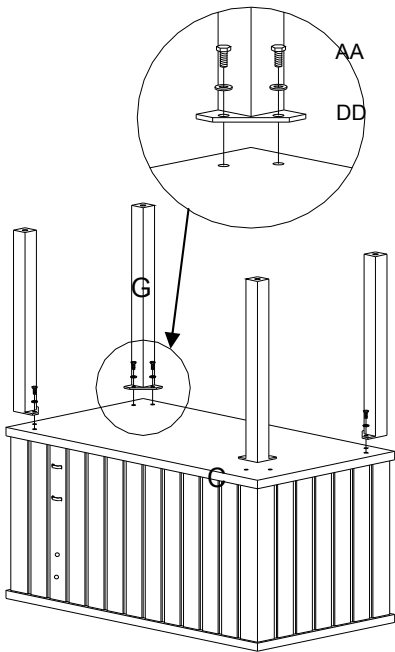


PARTS LIST

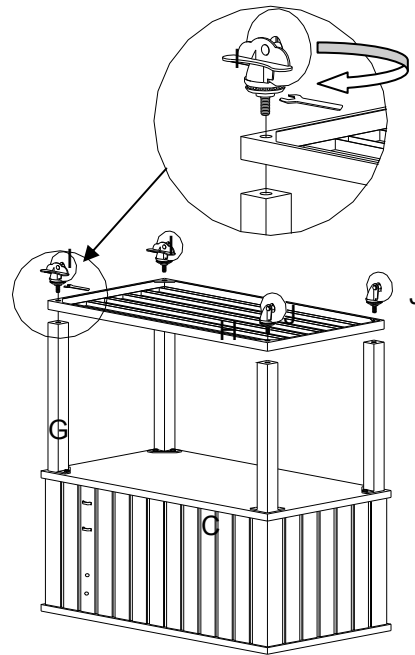
No.	Description	QTY
A	Lid handle	2
B	Lid	1
C	Cooler body	1
D	Outlet valve (preassembled)	1
E	Bottle opener	1
F	Cap Catcher	1
G	leg	4
H	Bottom shelf	1
I	Wheel (with Brake)	2
J	Wheel (without Brake)	2
AA	Bolt M6x15 (preassembled)	8
BB	Screw M6x10 (preassembled)	2
CC	Screw M5x30 (preassembled)	2
DD	Flat washer M6 (preassembled)	8
EE	Wrench M6	1
FF	Wrench M12	1



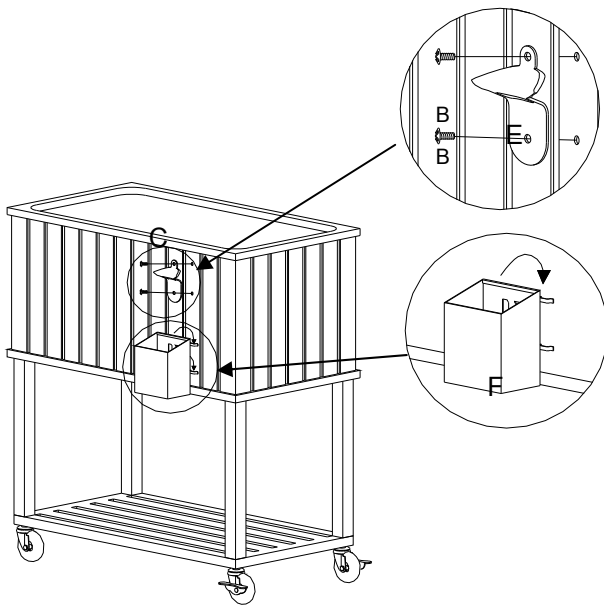
ASSEMBLY STEPS



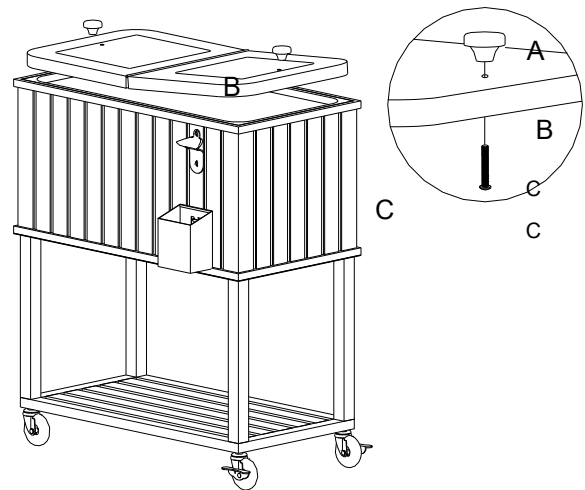
1. Turn Cooler Body (C) upside down. Assemble leg (G) and cooler body (C) with 8pcs bolts (AA) and 8pcs flat washer (DD) by (EE), do not Tighten up.



2. Inert legs onto bottom shelf, assemble wheels (I)/(J) on the right position as below picture, tighten all bolts by (FF).



3. Turn the assembled cooler body(C) 180°. Keep the wheels on the ground. Connect bottle opener (E) with cooler body(C), tighten with 2pcs screw (BB). And insert the cap catcher (F) to the cooler body (C) directly as showed in the below picture.



4. Attach lid handle (A) to lid (B) and tighten by 2pcs screw (CC) as showed in blew picture. Put the assembled lid on the cooler body(C).

Now, you are ready to enjoy the use of your party cooler.

Care & Maintenance:

- Before using, clean the cooler with a soft dry towel.
- Drain the water in the cooler and dry the cooler with a soft towel.
- We recommend the use of furniture covers (not included) to protect your cooler while not in use.

Product Components Maintenance:

FOR IRON COMPONENTS:

- 1) Our iron components for garden accessories and furniture are finished using a powder coating process that protects it from rusting. However, due to the nature of iron, surface oxidation (rusting) will occur if these protective coatings are scratched. This is a natural process and is not a defect. To minimize this condition, use care when assembling & handling the product to prevent scratching the paint. Should any scratching or damage occur, immediately touch-up with rust inhibiting paint, which is readily available at a local hardware store. Surface rust can also be easily removed with a very light application of cooking oil. If rusting occurs and if no measure is taken to inhibit this, the rust may start dripping onto a deck or patio and cause damaging stains that may be difficult to remove. This can be prevented if measures are taken to keep the product from rusting.
- 2) To prolong the life of your cooler, it is recommended that you drain out all liquid and thoroughly dry your cooler after every use. Not complying with this care requirement can cause premature rusting and water deposits (metal interior) or molds and mildew (for plastic interior).

WARRANTY (6-months warranty)

Thank you for purchasing this SUNJOY product. These products have been made to demanding, high-quality standards and are guaranteed for domestic use against manufacturing faults. This warranty does not affect your statutory rights.

The product is guaranteed if used for normal trade purposes. Any warranty is invalid if the product has been overloaded or subject to neglect, improper use or an attempted repair other than by an authorized agent. Heavy-duty or daily professional/commercial usage are not guaranteed. Due to continuous product improvement, we reserve the right to change the product specifications without prior notice.

Important: For technical assistance on assembly or replacement parts, you can call us toll-free at 1-866-578-6569 from 8 a.m. EST to 8 p.m. PST or email to customer.care@sunjoygroup.com or visit www.sunjoyonline.com to place your order or fax your parts replacement order form together with your purchase receipt to 1-740-283-3549 for assistance.