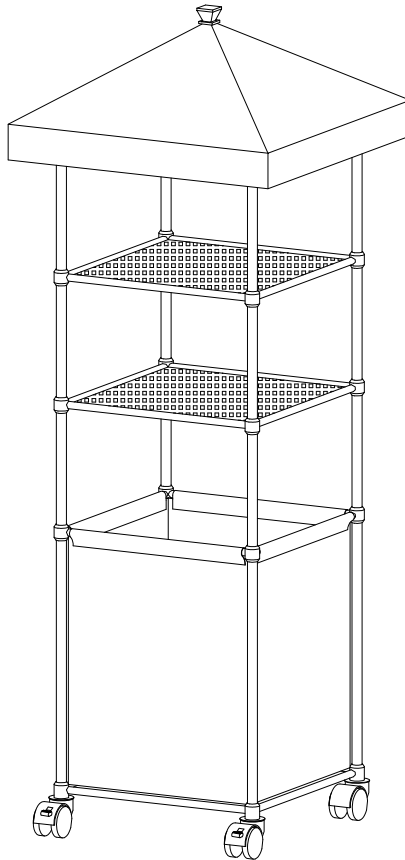


ASSEMBLY INSTRUCTIONS

D-WA006PST



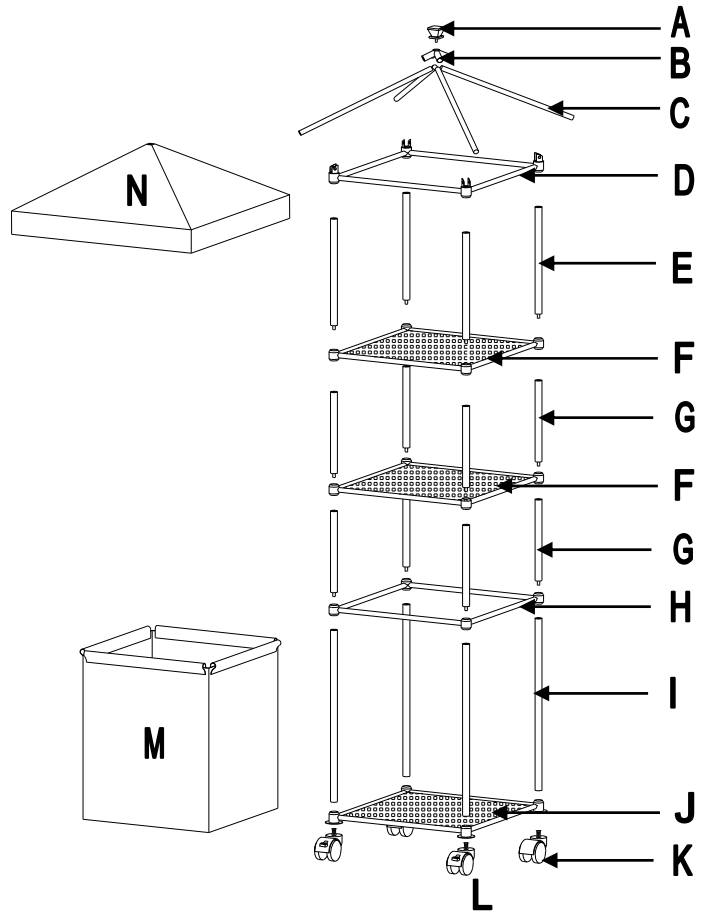
Warning

- Some parts may contain sharp edges. When assembling and using this product, basic safety precautions should always be followed to reduce the risk of personal injury and damage to the product. Please read all instructions before assembly and use.
- Check all bolts for tightness before use, and periodically check and tighten bolts as necessary.

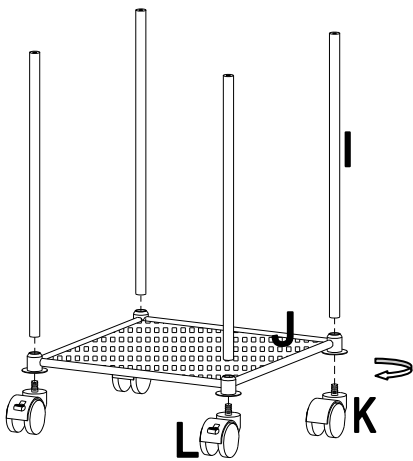
Important: For technical assistance on assembly or replacement parts, please call Sunjoy Industries at 1(866) 578-6569 from 8:00 AM EST to 8:00 PM PST or email to customer.care@sunjoygroup.com or visit www.sunjoyonline.com to place your order or fax your parts replacement order form together with your purchase receipt to 1-740-283-3549 for assistance.

Limited Warranty: The item is warranted to be free from defects in material or workmanship for a period of **6** Months. However, we don't reimburse for transportation or delivery costs, or compensate the individual or any outside party for assembling or disassembling the product. This limited warranty is extended to the original purchaser and applies to defects in materials and workmanship of your item, provided the item is maintained with care and used only for personal residential purposes.

Parts List		
Part#	Description	Qty
A	Finial	1
B	Connector	1
C	Bar	4
D	Frame 1 (upper)	1
E	Post 1 (upper)	4
F	Shelf 1 (upper)	2
G	Post 2 (middle)	8
H	Frame 2 (lower)	1
I	Post 3 (lower)	4
J	Shelf 2 (lower)	1
K	Wheel w/o brake	2
L	Wheel w/ brake	2
M	Bag	1
N	Canopy	1
AA	Bolt M8x20	4
BB	Bolt M6x25	4
CC	Nut M6	4
DD	Wrench M6	2
EE	Wrench M8	1

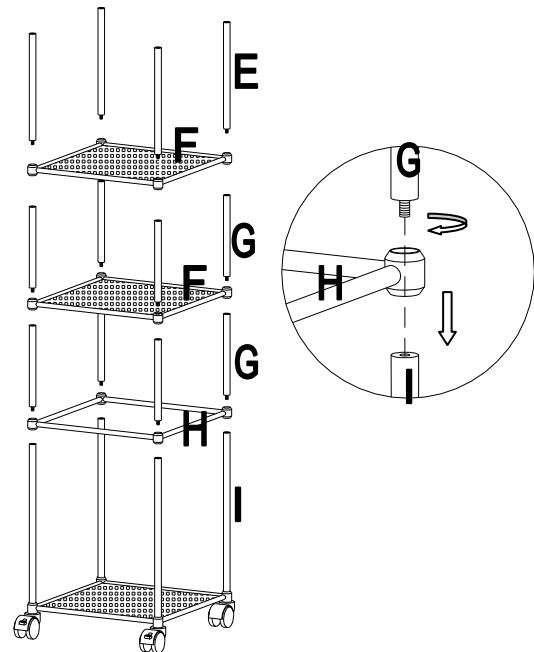


ASSEMBLY STEPS



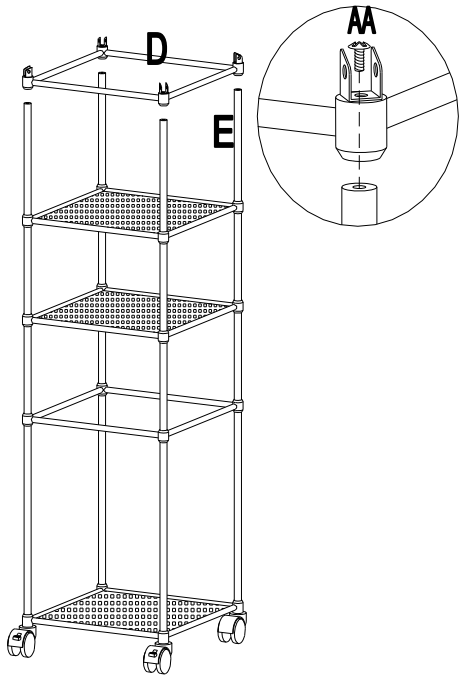
Step 1

Turn Wheel (L) / (K) on Shelf (J).



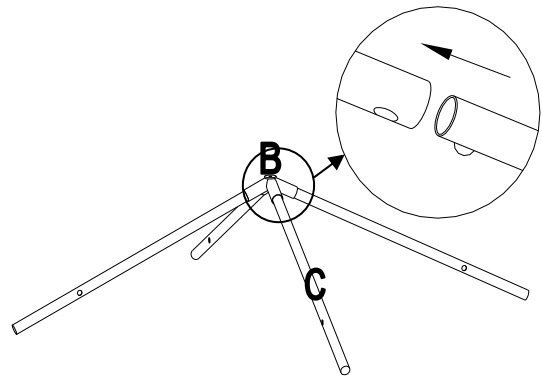
Step 2

Turn Post (G) on Post (I) through Frame (H). Do the same steps to Post (E), Frame (F) and Post (G).



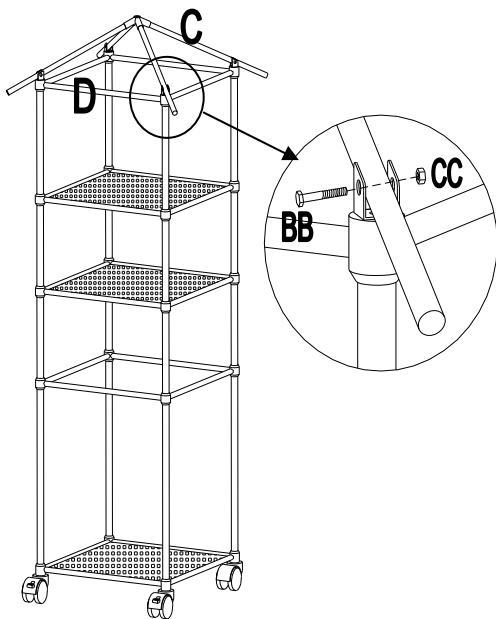
Step 3

Secure Frame (D) on Post (E) with Bolt (AA).



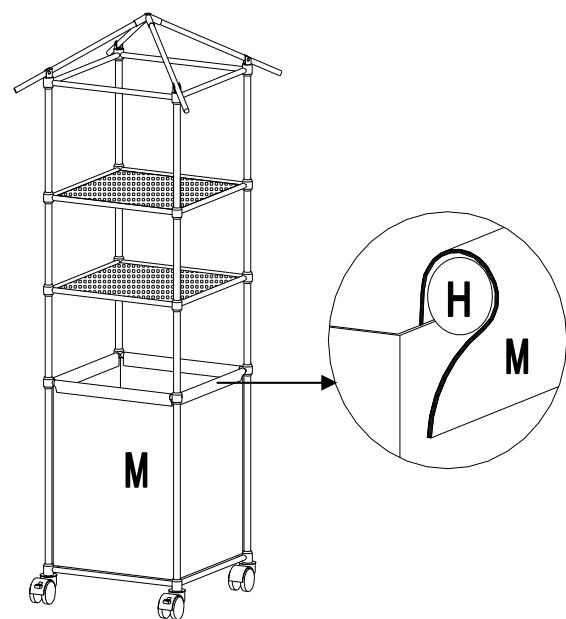
Step 4

Insert Bar (C) into Connector (B).



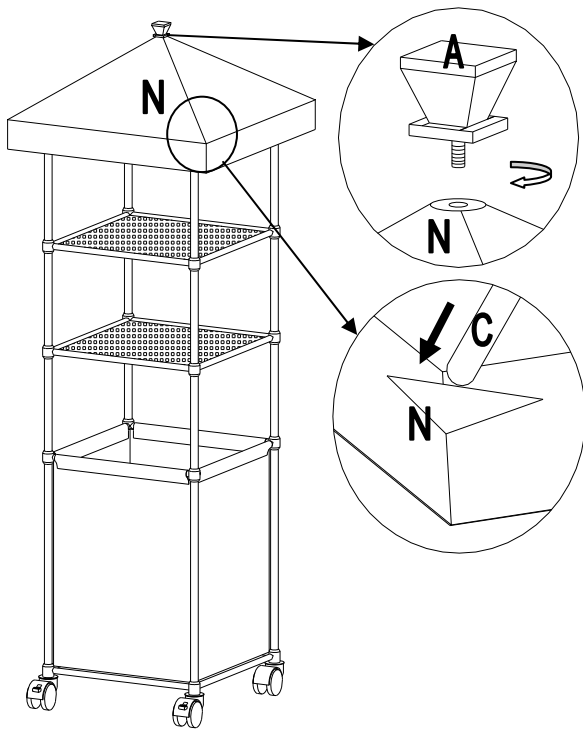
Step 5

Attach the assembled Bar (C) on Frame (D) with Bolt (BB) and Nut (CC).



Step 6

Put Bag (M) inside the base and roll the tabs of the bag on Frame (H).



Step 7

Pull Canopy (N) on the top and insert Bar (C) into the pockets at the corners of Canopy (N).

Turn Finial (A) on the Connector (B) through the top of Canopy (N).

Now your towel storage is ready for use.