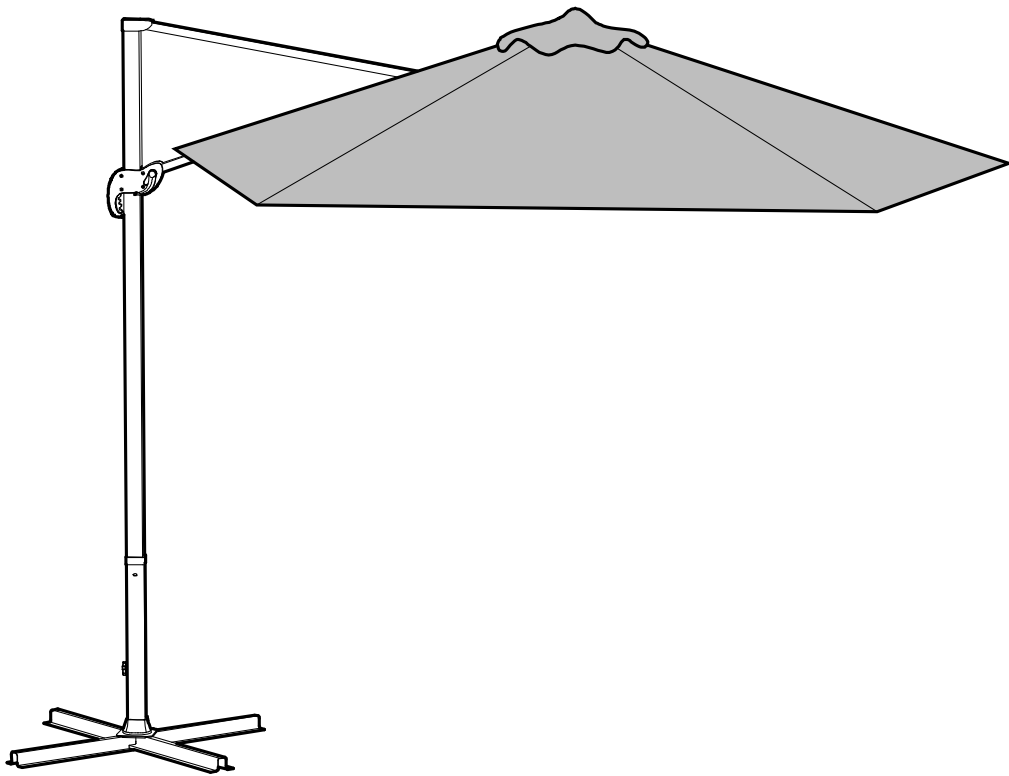


ASSEMBLY INSTRUCTION
ITEM#: S-UM248PST-A



For any questions or issues about our product

Call Sunjoy Customer Service

1(866) 578-6569

8:00 AM EST – 8:00 PM PST

Safety Information

- Some parts may contain sharp edges. Wear protective gloves.
- When assembling and using this product, basic safety precautions should always be followed to reduce the risk of personal injury and damage to equipment. Please read all instructions before assembly and usage.
- When to use the Umbrella, to match the correct Umbrella Base(not included)



CAUTION: Do not climb on top of the gazebo. Falling off the gazebo can result in serious injury.

NOTICE: For outdoor use.

KEEP THIS INSTRUCTION MANUAL FOR FUTURE REFERENCE.



WARNING: Do not leave the gazebo where there is a risk of high wind, as possible damage will occur to the structure.

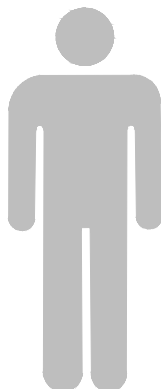
Warranty: 6 Months

WHAT IS COVER?

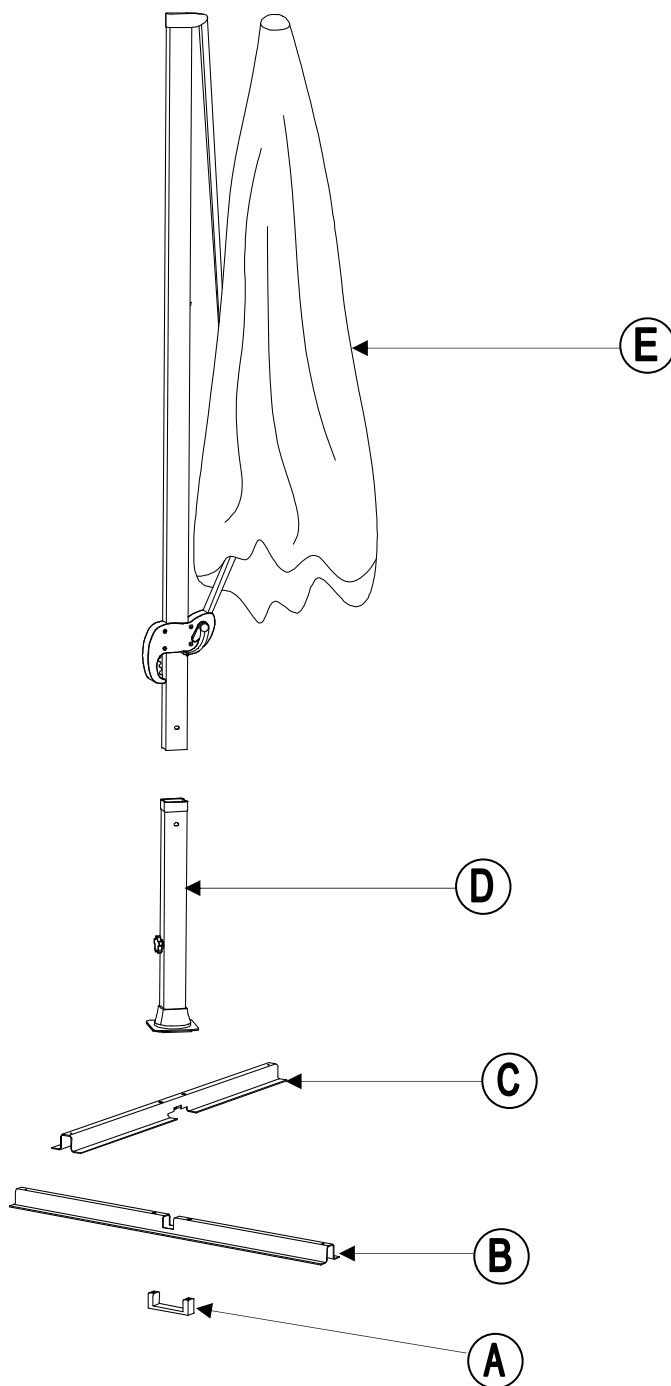
The limited warranty is extended to the original purchaser and applies to material and manufacturer's defect provided the item is maintained with care and used only for personal, residential purposes.

TOOLS NEEDED

How many people needed for the installation work



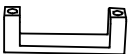
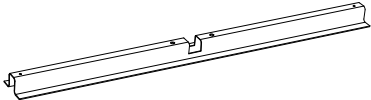
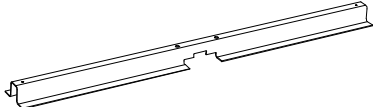
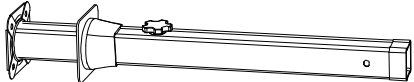
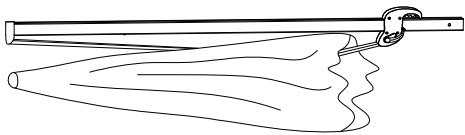


EXPLODED DRAWING



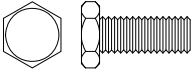
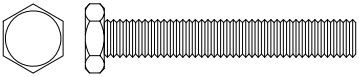
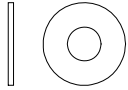
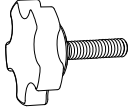
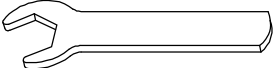
Country of Origin: China

Call 1(866) 578-6569 for assistance.
Or visit us at www.sunjoyonline.com

Parts List

Label	Part Number	Description	Qty	Part Image
A	P50201A01001	Connection	1	
B	P50202A01001	Bar 1	1	
C	P50203A01001	Bar 2	1	
D	P50101A01001	Support	1	
E	P50301A01001	Body	1	
F	P46001A07001	Power Sourcing	1	
G	P46101A07001	Power Line	1	

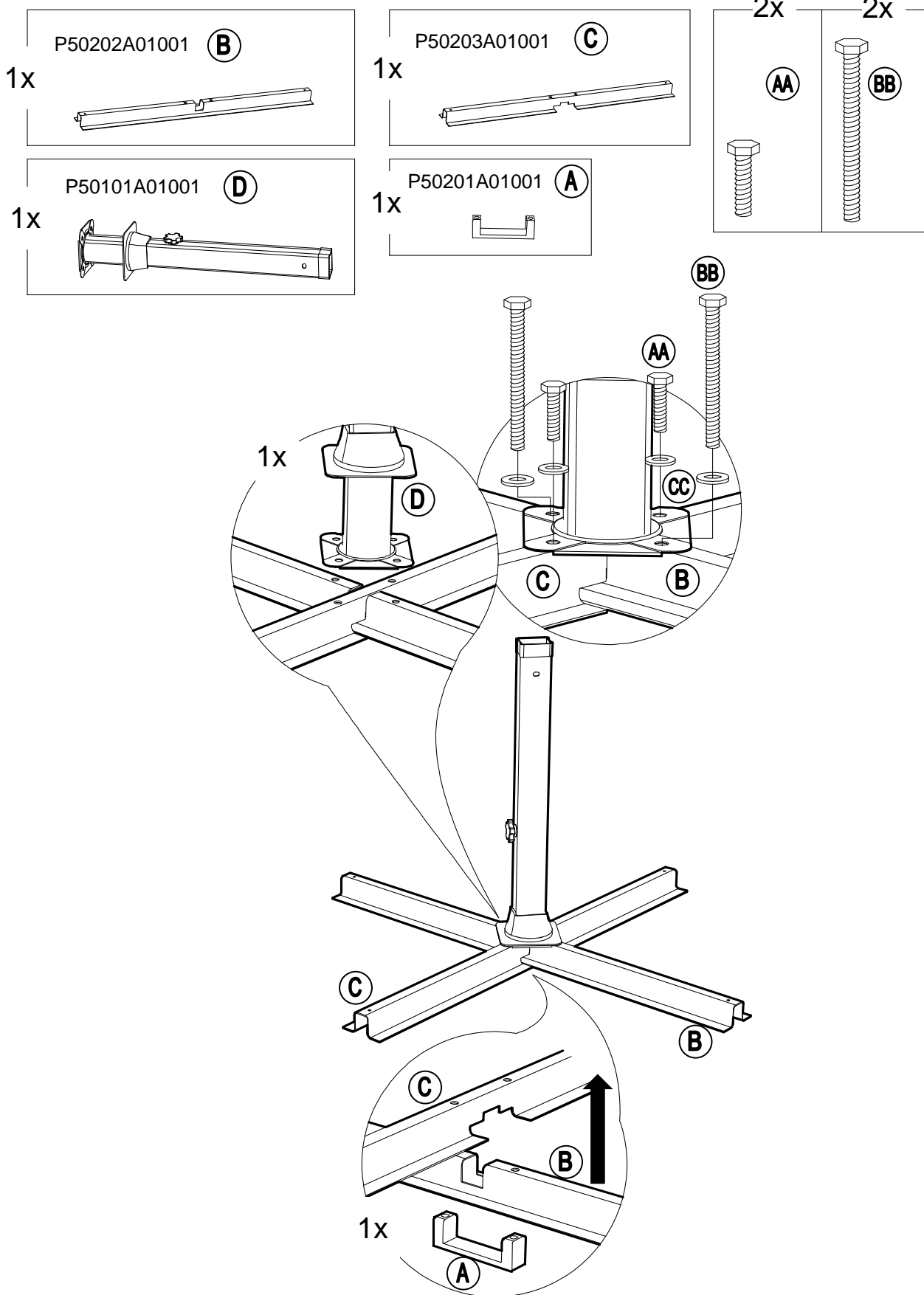
Hardware Pack

Label	Part Number	Description	Qty	Add	Part Image
AA	H01015D12	M8x15 Bolt	2	1	 Actual Size
BB	H01040D12	M8x40 Bolt	2	1	 Actual Size
CC	H12001D11	M8 Flat Washer	4	1	 Actual Size
DD	P90801A07001	Rotary Knob	1	1	
ZZ	H00001D12	Wrench M8	2	0	

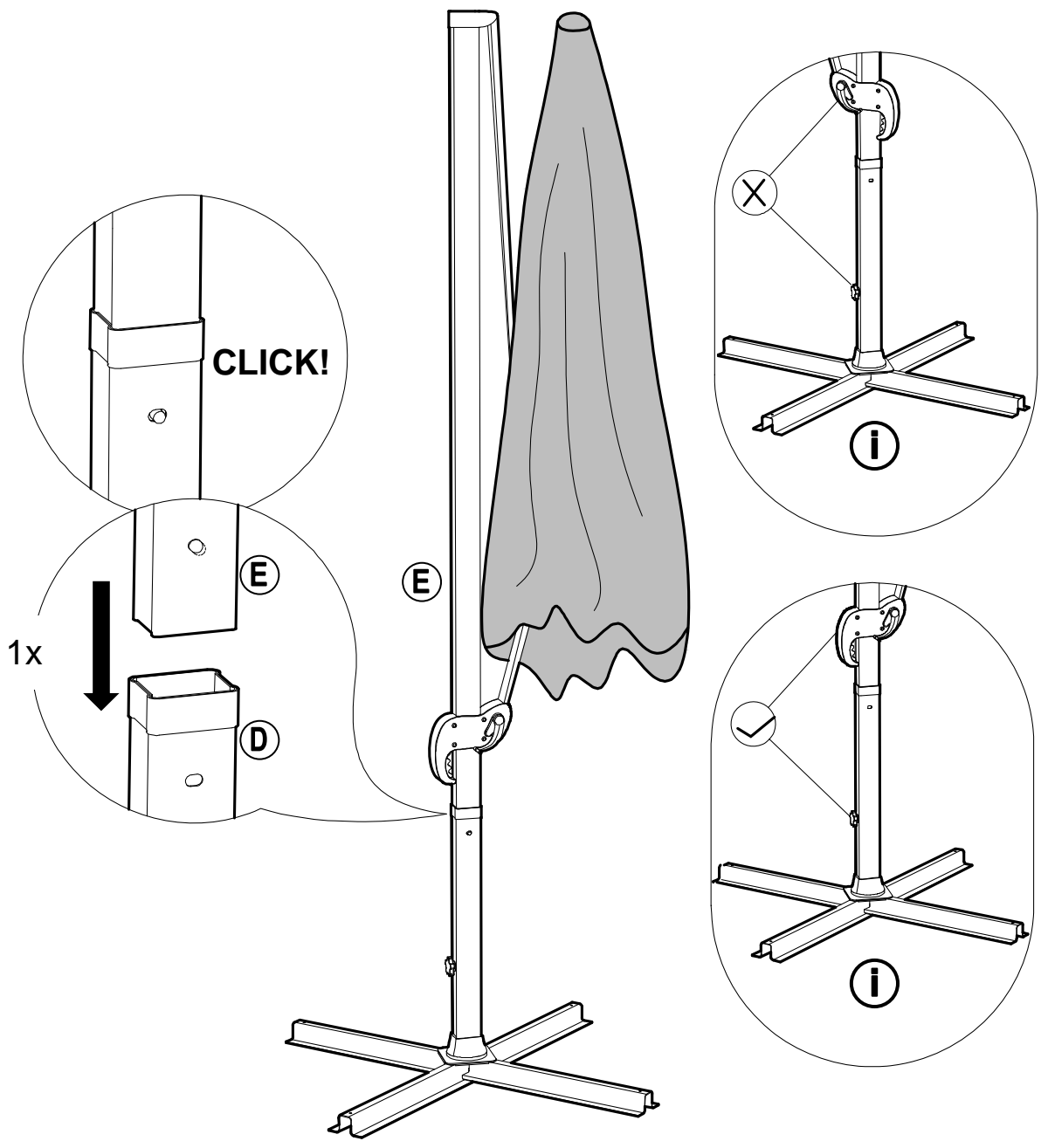
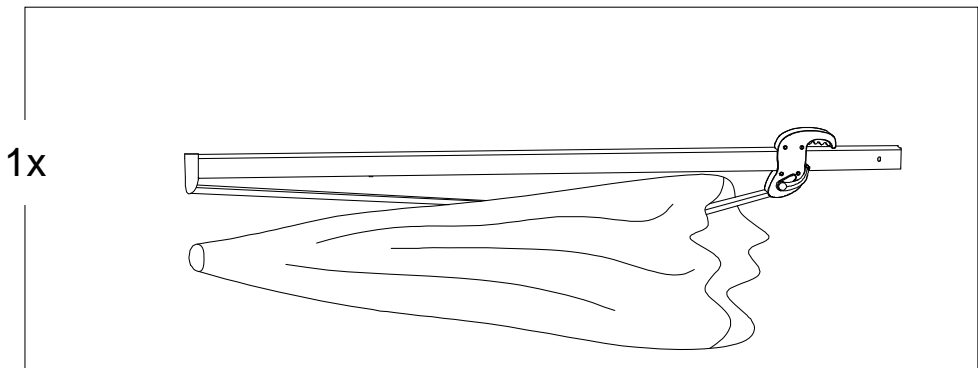
Country of Origin: China

Call 1(866) 578-6569 for assistance.
Or visit us at www.sunjoyonline.com

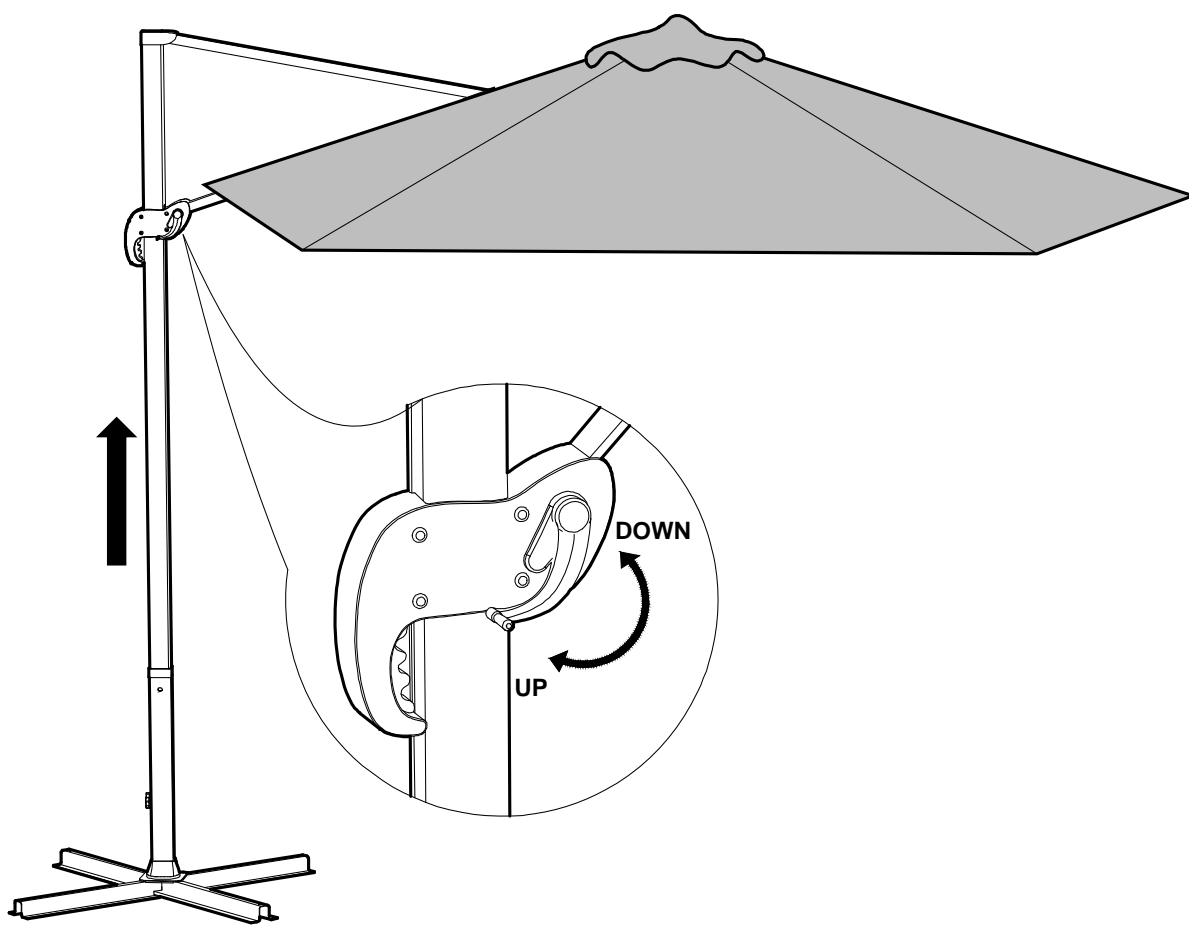
STEP 1: Assembly of Support



STEP 2: Assembly of Body



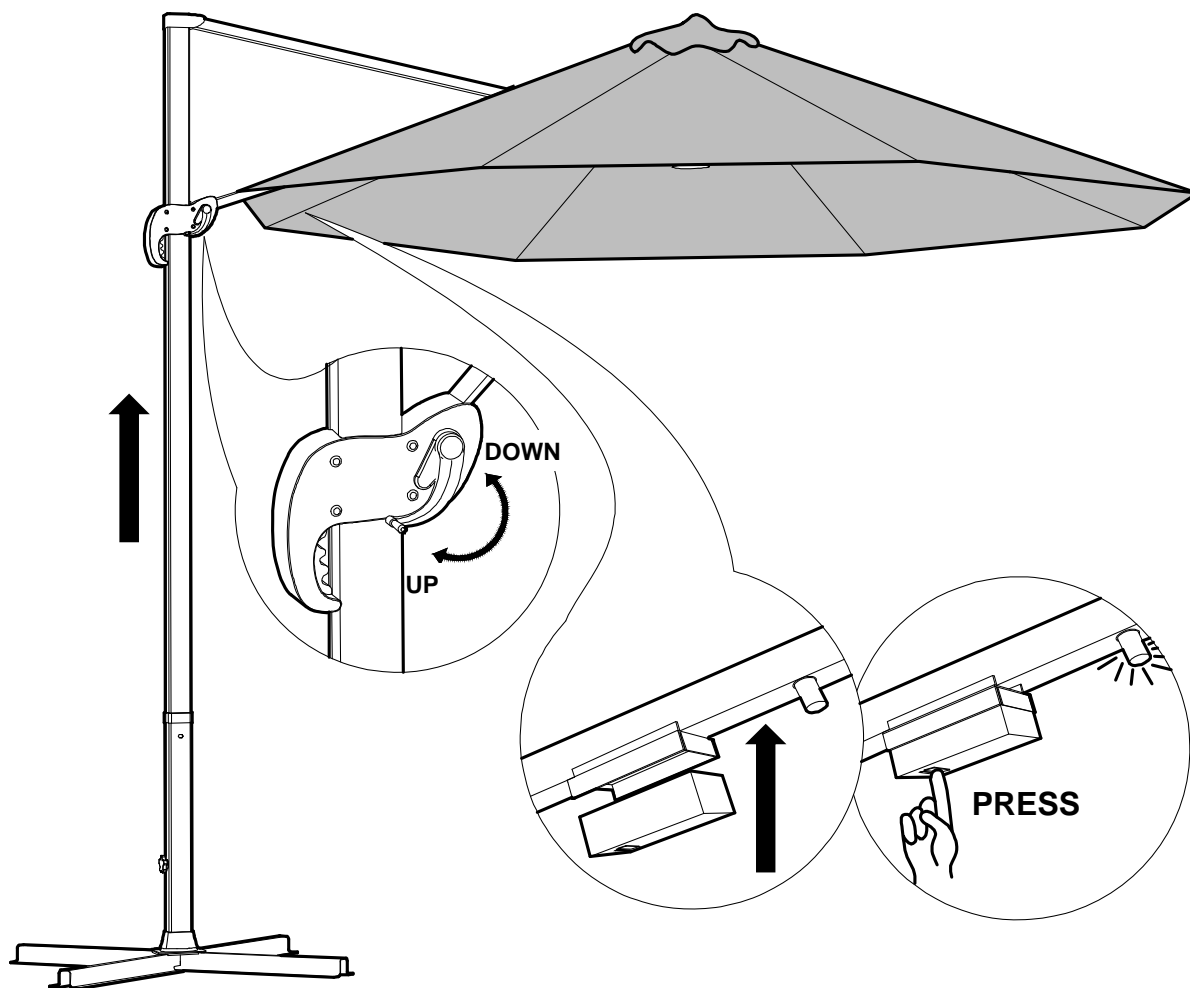
STEP 3: Opening of Umbrella



Country of Origin: China

Call 1(866) 578-6569 for assistance.
Or visit us at www.sunjoyonline.com

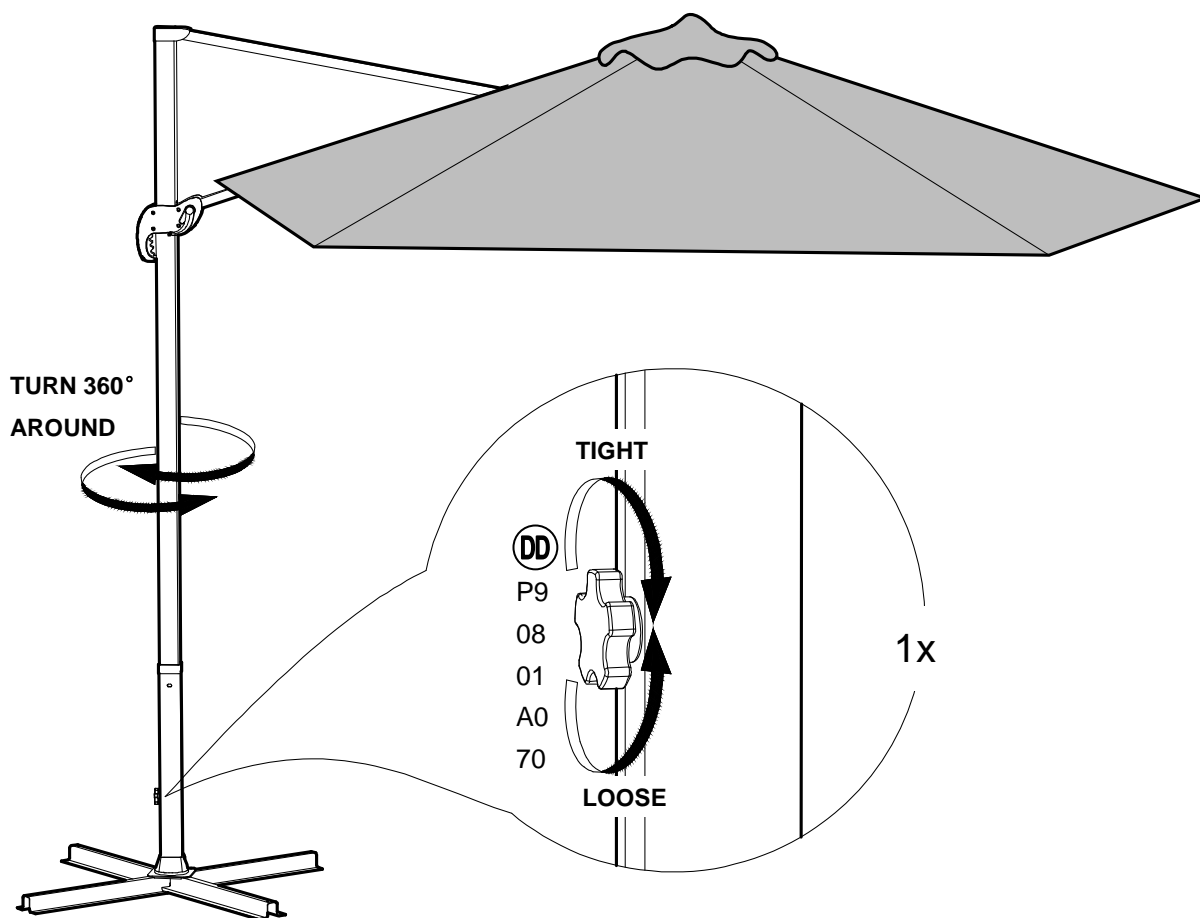
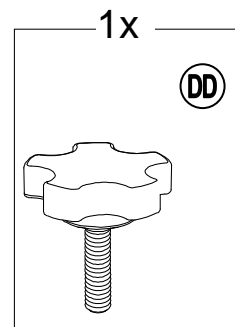
STEP 4: Assembly of Power Sourcing



Country of Origin: China

Call 1(866) 578-6569 for assistance.
Or visit us at www.sunjoyonline.com

STEP 5: Turning 360 degree



Care and Maintenance

- Our steel components for garden accessories and furniture are treated with rust inhibiting paint that protects it from rusting. However, due to the nature of steel, surface oxidation (rusting) will occur once these protective coatings are scratched. This is not a defect and thus not covered by the warranty.
- To minimize this condition, we recommend care when assembling & handling the product to prevent scratching the paint. Should any scratching or damage occur, we recommend immediate touch-up with rust inhibiting paint.
- Surface rust can also be easily removed with a very light application of common cooking oil. If surface oxidation (rusting) occurs and if no measure is taken to prevent this, the oxidation may start dripping on to deck or patio and caused damaging stains, which may be difficult to remove. This can be prevented if the above-mentioned measures are taken to keep the product from oxidizing.
- Use damp cloth to wipe off the stains as quickly as possible.
- If necessary, wash with a mild solution of soap and water; rinse thoroughly and dry completely.
- Periodically check and ensure that all bolts are well-tighten during use

Limited Manufacturer's Warranty

Sunjoy Group warrants to the original purchaser that this item is free from defects in workmanship and materials for a period of 1 year from the date of purchase, provided the item was factory-sealed at the time of purchase and is maintained with care and used only for personal, residential purposes. Should any manufacturing defect arise within this warranty period, Sunjoy Group will replace (at our option) any defective merchandise or parts upon proof of purchase; however, transportation and delivery costs, as well as payments to a third party for assembly or disassembly of the item, remain the responsibility of the purchaser. A purchaser of an "open box," previously-returned, or "clearance" item, as well as original purchasers outside of the warranty period, may obtain replacement parts from Sunjoy Group for products in current production, at nominal cost.

Exclusions:

Items used for commercial, contract, or other non-residential purposes, or items damaged due to acts of nature, vandalism, misuse, or improper assembly are not covered. Corrosion or rusting of hardware is not covered. Proof of purchase (dated register receipt) is required for warranty claims. Warranty is to the original purchaser and is non-transferable. Any replacement of warranted items will be in the original style and color, or a similar style and color

or a similar style and color if the original is unavailable or has been discontinued. As some states do not allow exclusions or limitations on an implied warranty, the above exclusions and limitations may not apply. This warranty gives you specific rights, and you may also have other rights, which vary from state to state.