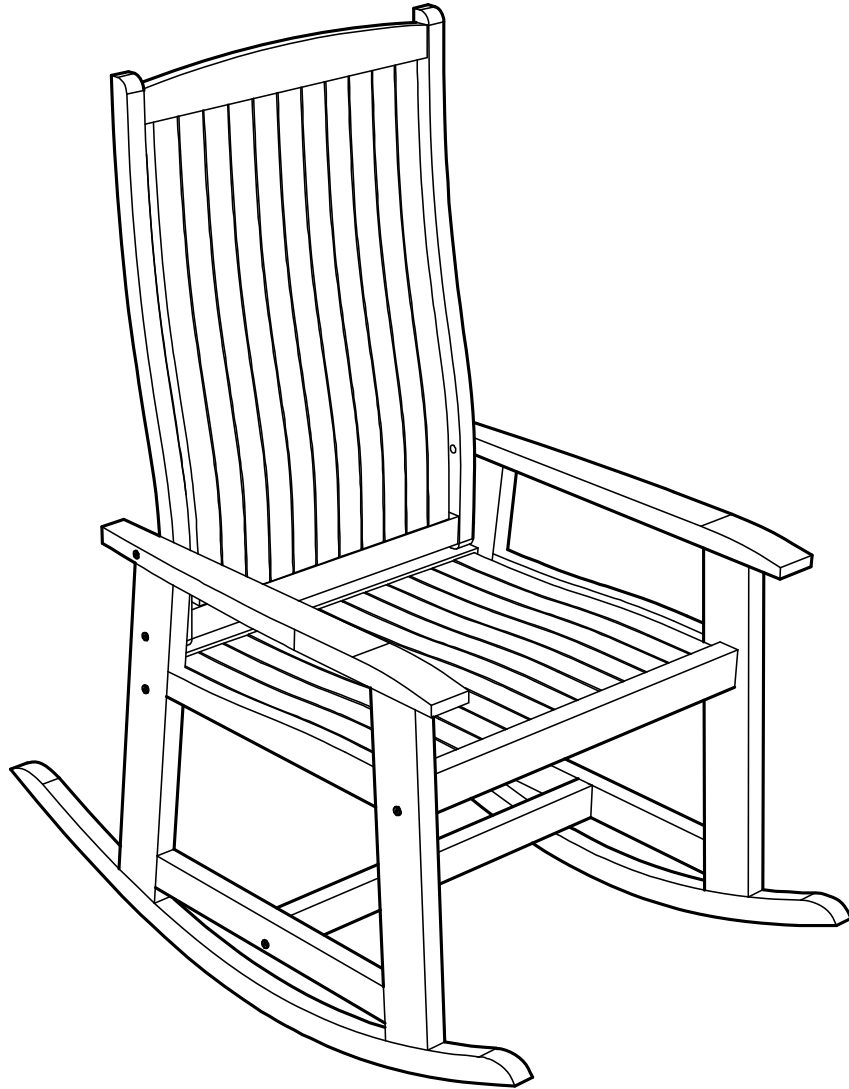


ASSEMBLY INSTRUCTION
ITEM#: A-DNC1012PST



For any questions or issues about our product

Call Sunjoy Customer Service

1(866) 578-6569

8:00 AM EST – 8:00 PM PST

Country of Origin: Malaysia

Safety Information

- Please follow the simple step-by-step assembly Instructions.
- Check and ensure all the parts, fittings and hardware are present before discarding any packaging.
- One or two people are required for this assembly.
- Please read all instructions carefully before assembly and usage. Basic safety precautions should always be followed to reduce the risk of personal injury and damage to equipment.
- Advisable to wear protective gloves during assembly.
- Assemble this product on the flat surface.
- Assemble all parts loosely before tightening any bolts.
- Retain this Assembly Instruction for future reference.



CAUTION: Do not climb on top of the product. Falling off the product may result in serious injury.

NOTICE: For outdoor and indoor use

Warranty: 1 Year

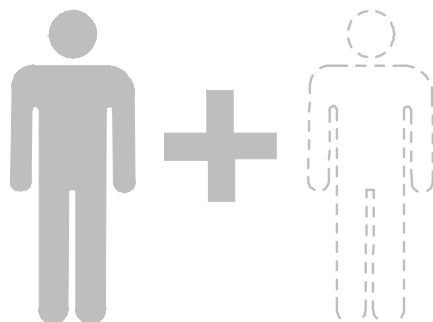
WHAT IS COVER?

The limited warranty is extended to the original purchaser and applies to material and manufacturer's defect provided the item is maintained with care and used only for personal, residential purposes.

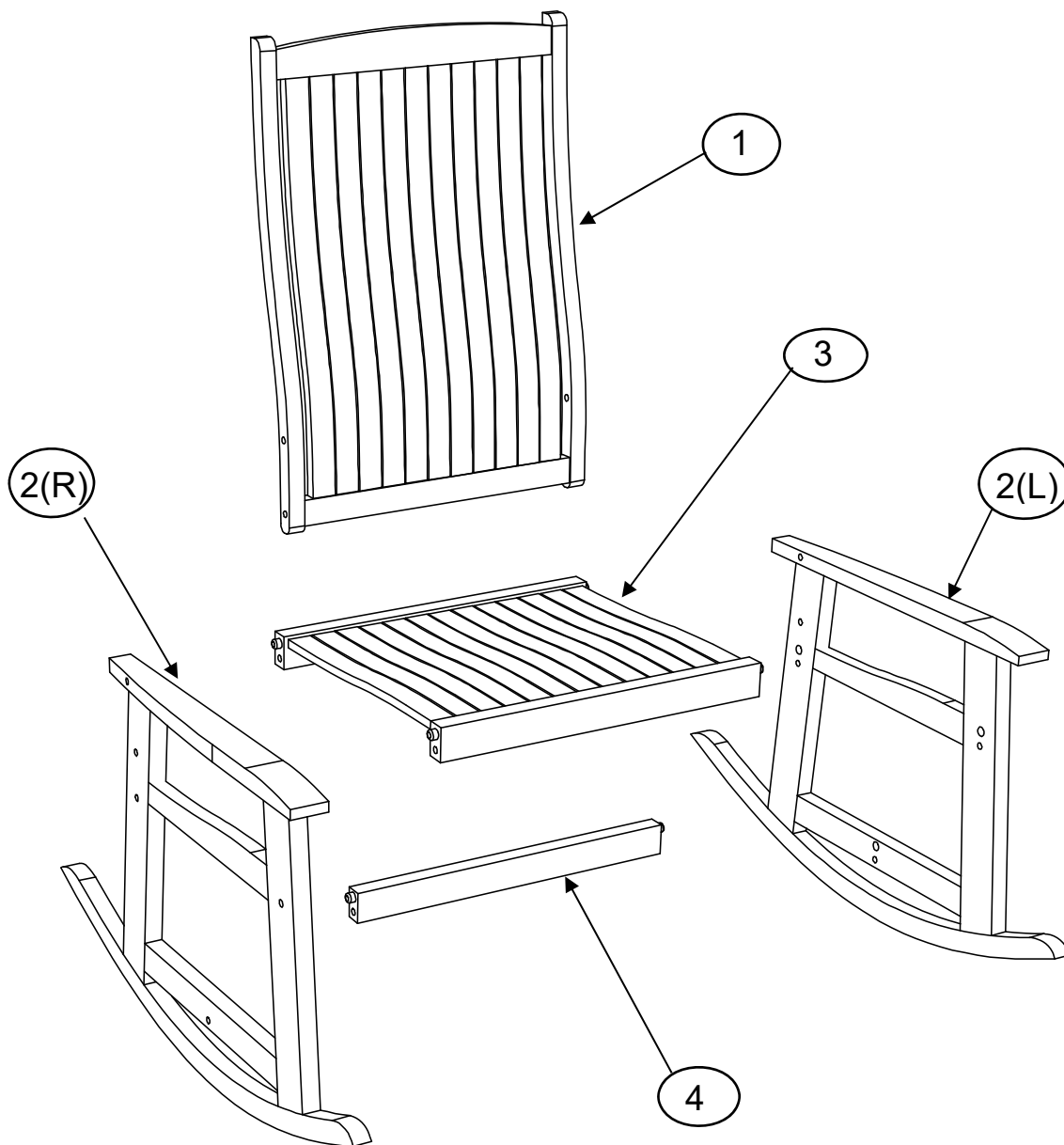
IMPORTANT

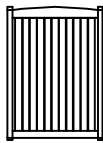
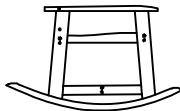
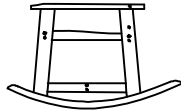
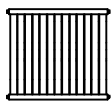

KEEP THIS INSTRUCTION MANUAL FOR FUTURE REFERENCE.




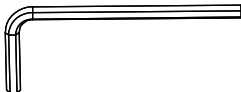
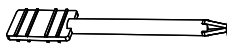
ONE OR TWO PERSON IS/ARE NEEDED FOR THE INSTALLATION WORK.



EXPLODED DRAWING



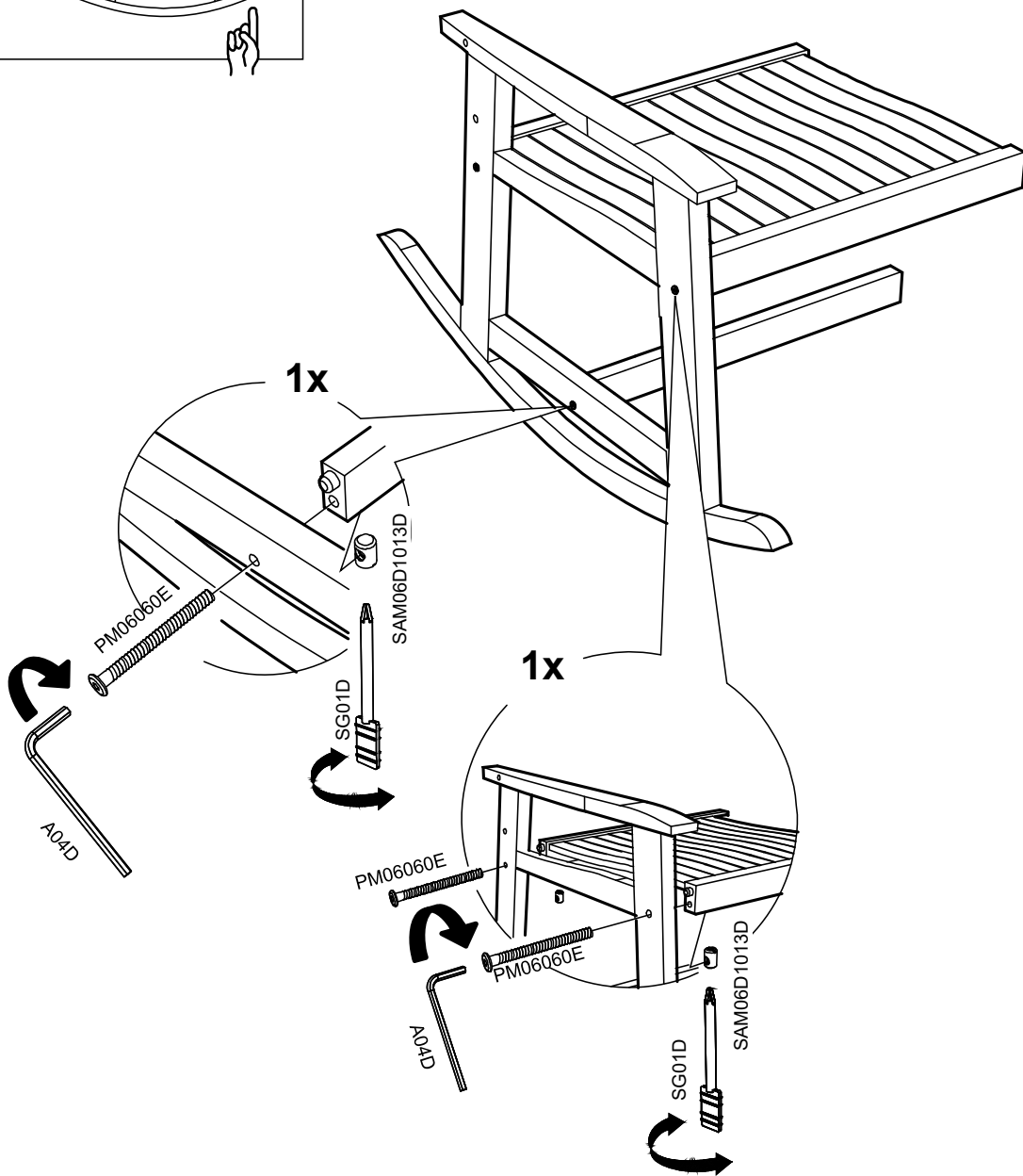
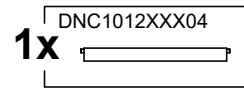
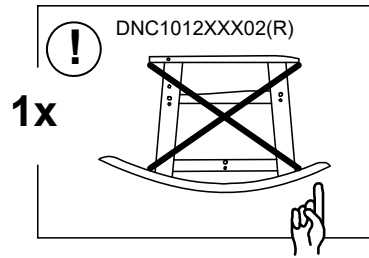
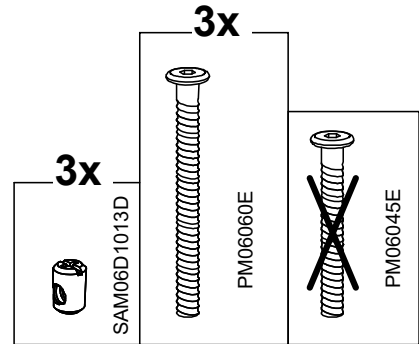
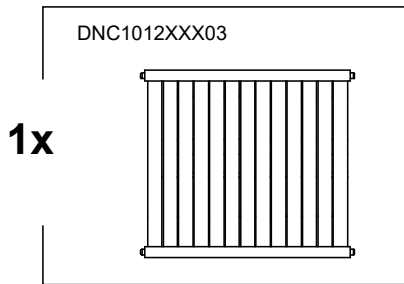
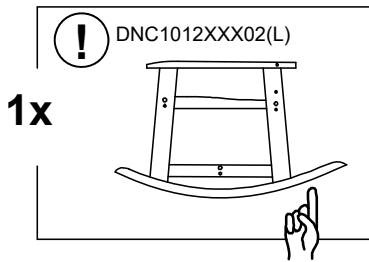
Parts List				
Part	Part Number	DESCRIPTION	QTY	Part Image
1	DNC1012XXX01	Backrest	1	
2(L)	DNC1012XXX02(L)	Rocker Arm (L)	1	
2(R)	DNC1012XXX02(R)	Rocker Arm (R)	1	
3	DNC1012XXX03	Seat	1	
4	DNC1012XXX04	Supporting Brace	1	

Hardware Pack				
Part	Part Number	DESCRIPTION	QTY	LINE DRAWING
A	PM06060E	M6 x 60mm Bolt	6	
B	PM06045E	M6 x 45mm Bolt	4	
C	SAM06D1013D	Connector	6	
D	A04D	Hex Key Size 4	1	
E	SG01D	Alignment Tool for Connector	1	

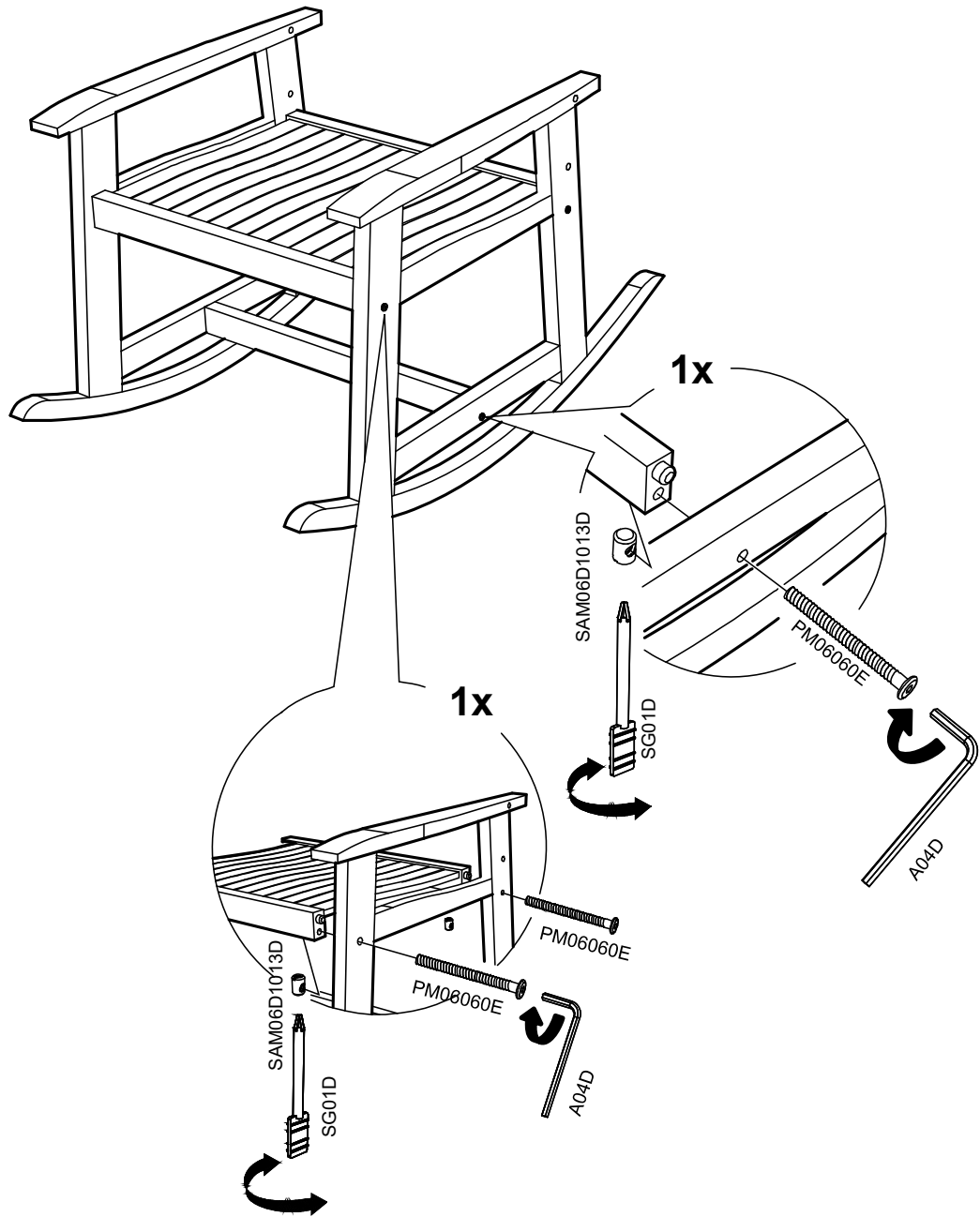
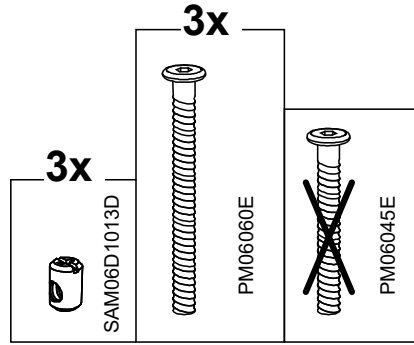
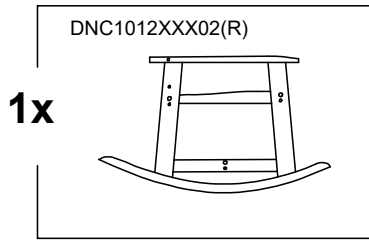
Country of Origin: Malaysia

Call 1(866)578-6569 for assistance.
Or visit us at www.sunjoyonline.com

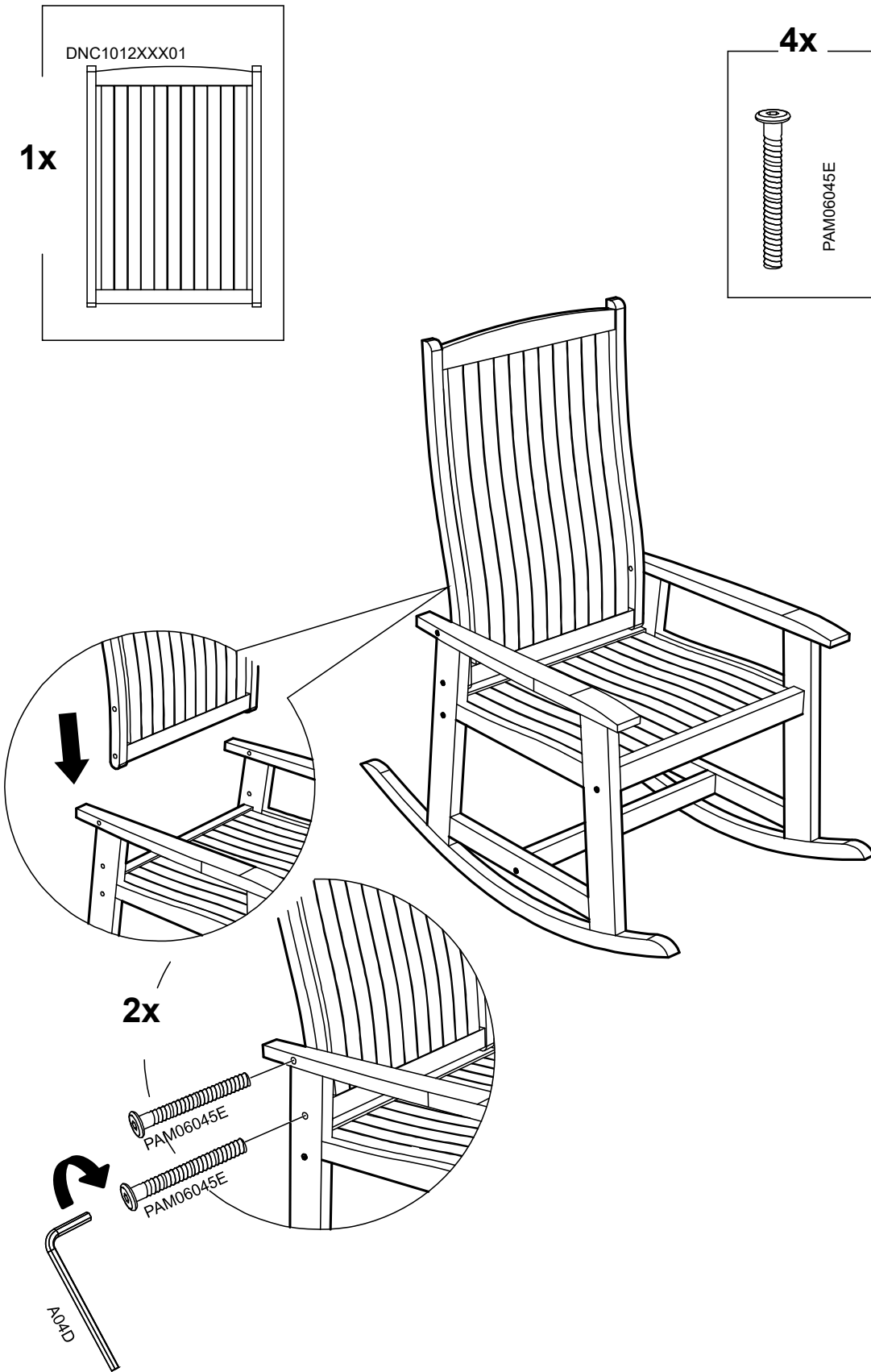
STEP 1: Assembly of Rocker Arm



STEP 2: Assembly of Seat



STEP 3: Assembly of Backrest



Care and Maintenance

- Wood is a natural material. The appearance of the wood will age with time when it is exposed to extreme weather. A surface coating is vital to protect it from premature aging or splitting.
- The finish should be regularly maintained to ensure that the wood is protected from moisture and the furniture continues to look its best
- Apply wood oil on the product surface with a clean cloth every 6 weeks or earlier depending on weather conditions.
- Treat all surfaces of the product including the 'hard to get to' and hidden surfaces with extra attention given to the joints and end grains.
- Protect this product from severe weather and store it under cover during winter with a liberal coat of wood oil.
- Before using, clean the product completely with soft, dry towel. When not in use, wipe free of any dirt or loose dust, wash with a mild solution of soap and water; rinse thoroughly and dry completely.
- Do not use strong detergent or abrasive cleaners
- Moisture and heat can damage any wood finish. Protect your furniture surface by using coasters and trivets. Always wipe up moisture promptly and dry with a soft cloth.
- Protecting furniture from natural elements. When not in use, protection covering are highly recommended.
- Avoid dragging sharp or rough objects across the surface of your wood furniture. Use adhesive felt pads, trivets, coasters and placemats to help prevent scratches.
- Wood will expand and contract with seasonal humidity changes.
- Over time, air and sunlight will change the colour of natural wood. Occasionally rotate the items placed on your wood furniture to allow a more uniform colour to develop.
- Care for your wood furniture according to its finish.
- Clean with damp cloth whenever necessary.
- Periodically check and ensure that all bolts are well-tighten during use
- Should any scratching or damage occur, we recommend immediate touch-up oil or appropriate touch-up paint.

Limited Manufacturer's Warranty

Sunjoy Group warrants to the original purchaser that this item is free from defects in workmanship and materials for a period of **1 year** from the date of purchase, provided the item was factory-sealed at the time of purchase and is maintained with care and used only for personal, residential purposes. Should any manufacturing defect arise within this warranty period, Sunjoy Group will replace (at our option) any defective merchandise or parts upon proof of purchase; however, transportation and delivery costs, as well as payments to a third party for assembly or disassembly of the item, remain the responsibility of the purchaser. A purchaser of an "open box," previously-returned, or "clearance" item, as well as original purchasers outside of the warranty period, may obtain replacement parts from Sunjoy Group for products in current production, at nominal cost.

Exclusions:

Items used for commercial, contract, or other non-residential purposes, or items damaged due to acts of nature, vandalism, misuse, or improper assembly are not covered. Corrosion or rusting of hardware is not covered. Proof of purchase (dated register receipt) is required for warranty claims. Warranty is to the original purchaser and is non-transferable. Any replacement of warranted items will be in the original style and color, or a similar style and color

Country of Origin: Malaysia

**Call 1(866) 578-6569 for assistance.
Or visit us at www.sunjoyonline.com**