

ASSEMBLY INSTRUCTIONS

ITEM# D-DNC492PST

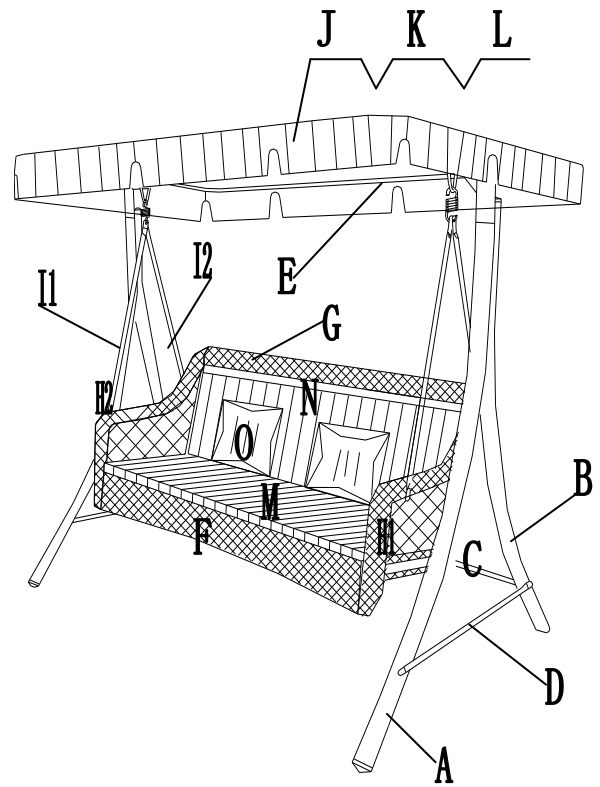


Warning

- Some parts may contain sharp edges. When assembling and using this product, basic safety precautions should always be followed to reduce the risk of personal injury and damage to the product. Please read all instructions before assembly and use.
- Check all bolts for tightness before use, and periodically check and tighten bolts as necessary.

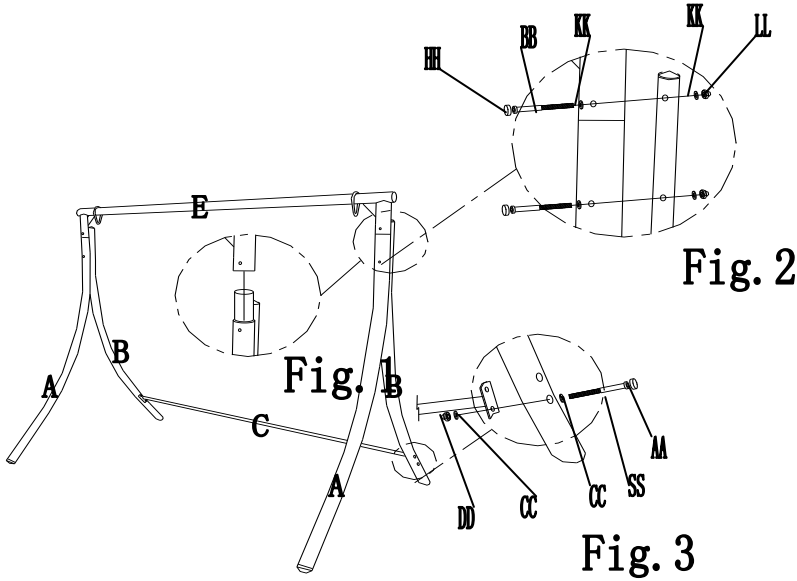
Important: For technical assistance on assembly or replacement parts, please call Sunjoy Industries at 1(866) 578-6569 from 8:00 AM EST to 8:00 PM PST. You may email to customer.care@sunjoygroup.com or visit www.sunjoyonline.com to place your order or fax your parts replacement order form (which is included in the packaging) together with your purchase receipt to 1 (740) 283-3549 for assistance.

PARTS LIST			
Label	Part Number	Description	QTY
A	DNC0492XXX01	Front foot	2
B	DNC0492XXX02	Back foot	2
C	DNC0492XXX03	Back support bar	1
D	DNC0492XXX04	Side support bar	2
E	DNC0492XXX05	Top beam	1
F	DNC0492XXX06	Seat	1
G	DNC0492XXX07	Chair back	1
H1	DNC0492XXX08	Right armrest	1
H2	DNC0492XXX09	Left armrest	1
I1	DNC0492XXX10	Swing bar 1	2
I2	DNC0492XXX11	Swing bar 2	2
J	DNC0492XXX12	Top side support bar	2
K	DNC0492XXX13	Canopy	1
L	DNC0492XXX14	Top connect bar	2
M	DNC0492XXX15	Seat cushion	1
N	DNC0492XXX16	Back cushion	1
O	DNC0492XXX17	Pillow	2



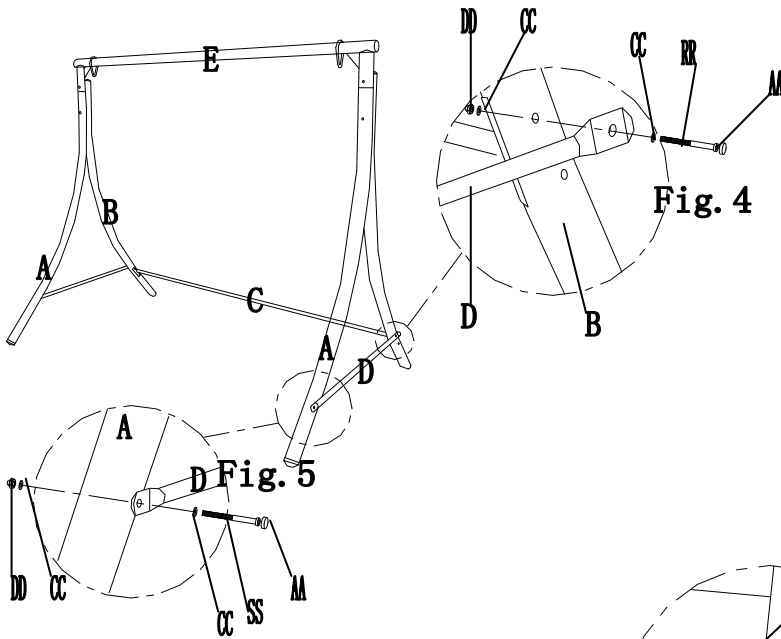
HARDWARE PACK			
Label	Part Number	Description	QTY
AA	GM061W	M6 plastic cap	17
BB	PAM08085C	Bolt M8*85	4
SS	PAM06075C	Bolt M6*75	4
RR	PAM06080C	Bolt M6*80	2
CC	VD06C	M6 flat washer	23
DD	XM06SC	M6 nut	6
EE	PAM06048C	Bolt M6*48	11
HH	GM081W	M8 plastic cap	4
KK	VD08C	M8 flat washer	8
LL	XM08SC	M8 nut	4
FF	GG010718D	Hook	2
GG	DNC0492XXX18	Adjustable bolt	2
II	A04D	Hex key M6	1
OO	A05D	Hex key M8	1
JJ	W1310D	Wrench M6/M8	1

ASSEMBLY STEPS



Step 1:

Insert Top beam (E) into Front foot (A), as Fig.1. Fix Front foot (A) & Back foot (B) and Top beam (E) & Back foot (B) by using bolt (BB), washer (KK) and nut (LL), then cover Plastic cap (HH), as Fig.2. Connect Back foot (B) and Back support bar (C) by using bolt (SS), washer (CC) and nut (DD), then cover Plastic cap (AA), as Fig.3.

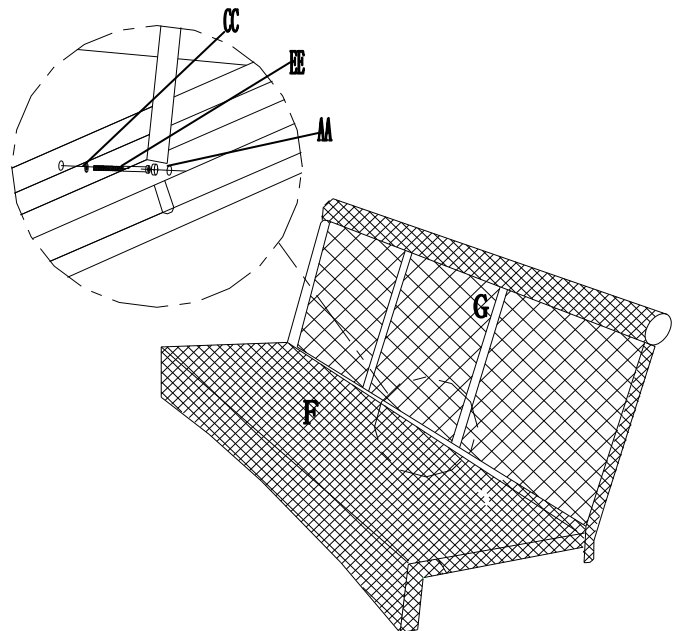


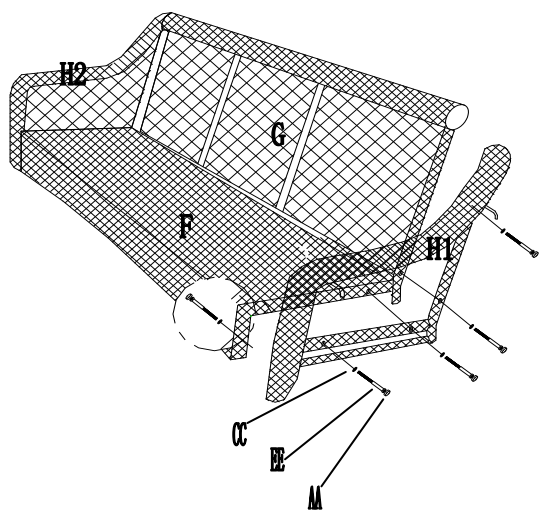
Step 2:

Connect Side support bar (D), Back foot (B) and Back support bar (C) by using bolt (RR), washer (CC) and nut (DD), then cover Plastic cap (AA), as Fig.4. Connect another end of Side support bar (D) and Front foot (A) by using bolt (SS), washer (CC) and nut (DD), then cover Plastic cap (AA), as Fig.5.

Step 3:

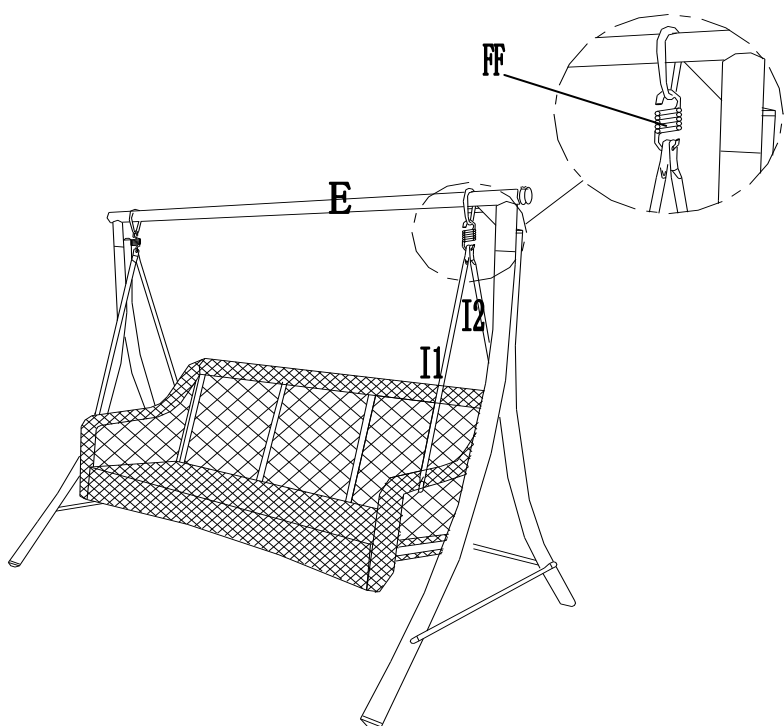
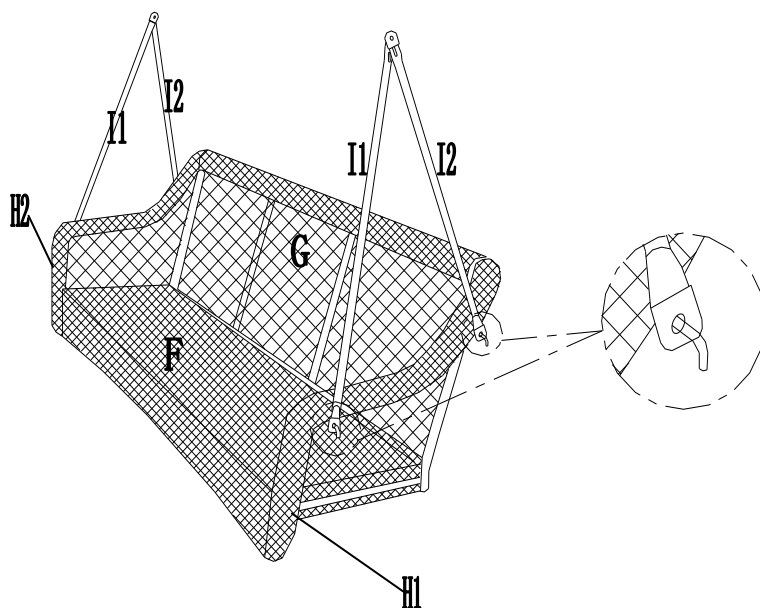
Connect Seat (F) and Chair back (G) by using bolt (EE) and washer (CC), then cover Plastic cap (AA).



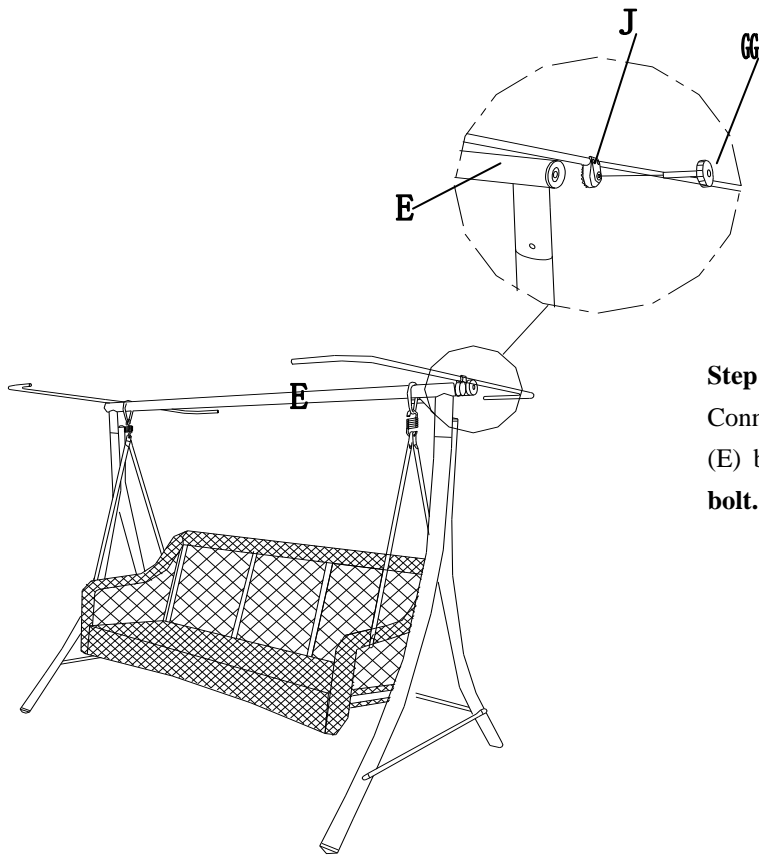


Step 4:
 Connect Right armrest (H1), Seat (F) and Chair back (G) by using bolt (EE) and washer (CC), then cover Plastic cap (AA). Assemble Left armrest (H2) in same way.

Step 5:
 Hang Swing bar (I1 & I2) to Right armrest (H1) and Left armrest (H2).

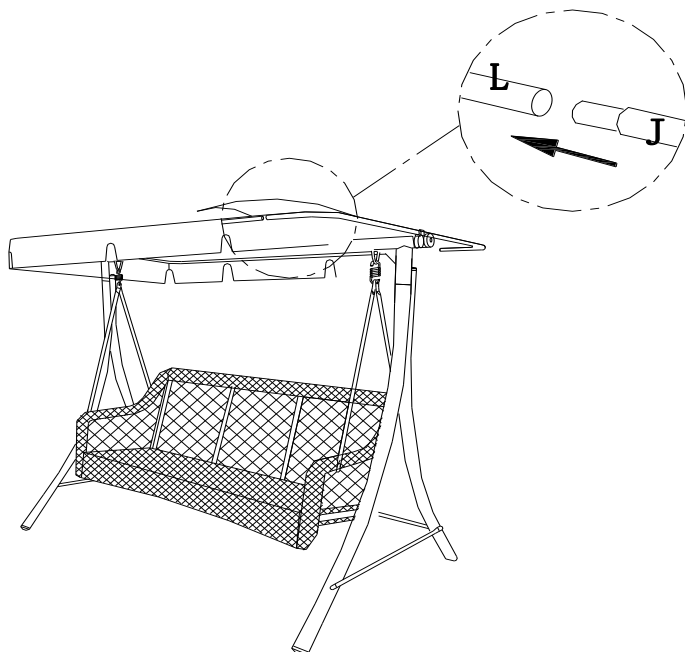
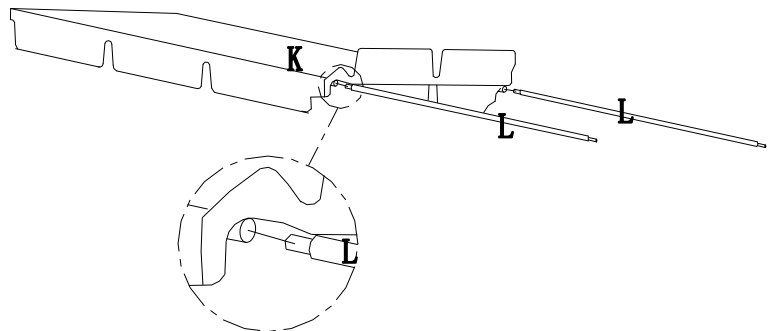


Step 6:
 Hang Swing bar (I1 & I2) to Top beam (E) by Hook (FF).

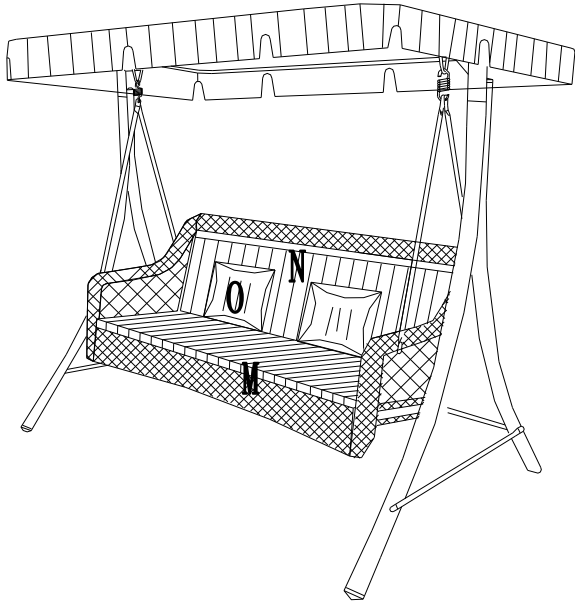


Step 7:
 Connect Top side support bar (J) to Top beam (E) by Adjust bolt (GG), **do not tighten the bolt.**

Step 8:
 Insert Top connect bar (L) into Canopy (K).



Step 9:
 Insert Top side support bar (J) to Top connect bar (L), and then tighten the Adjust bolt (GG).



Step 10:

Stretch the canopy to fit. Place Seat cushion (M), Back cushion (N) and Pillow (O) on the seat.

Now your Swing is ready for use, ENJOY it.

Care & Maintenance:

- Before using, clean the product completely with a soft dry towel.
- When not in use, wipe free of any dirt or loose objects, wash with a mild solution of soap and water; rinse thoroughly and dry completely. Do not use strong detergent or abrasive cleaners.
- Steel components of garden accessories and furniture are treated with rust inhibiting paint. However, due to the nature of steel, surface oxidation (rusting) will occur if this protective coating is scratched.
- To minimize this condition, it is recommended that care be taken when assembling and handling the product, in order to prevent the paint from being scratched.

Limited Warranty: The item is warranted to be free from defects in material or workmanship for a period of twelve (12) months. However, we do not reimburse for transportation or delivery costs, nor compensate the individual or any outside party for assembling or disassembling the product. This limited warranty is extended to the original purchaser and applies to defects in materials and workmanship of your item, provided the item is maintained with care and used only for personal residential purposes.

Exclusions

Items used for commercial, contract, or other non-residential purposes, or items damaged due to acts of nature, vandalism, misuse, or improper assembly are not covered. Corrosion or rusting of hardware is not covered. Proof of purchase (dated register receipt) is required for warranty claims. Warranty is to the original purchaser and is non-transferable. Any replacement of warranted items will be in the original style and color or a similar style and color if the original is unavailable or has been discontinued. As some states do not allow exclusions or limitations on an implied warranty, the above exclusions and limitations may not apply. This warranty gives you specific rights, and you may also have other rights, which vary from state to state.