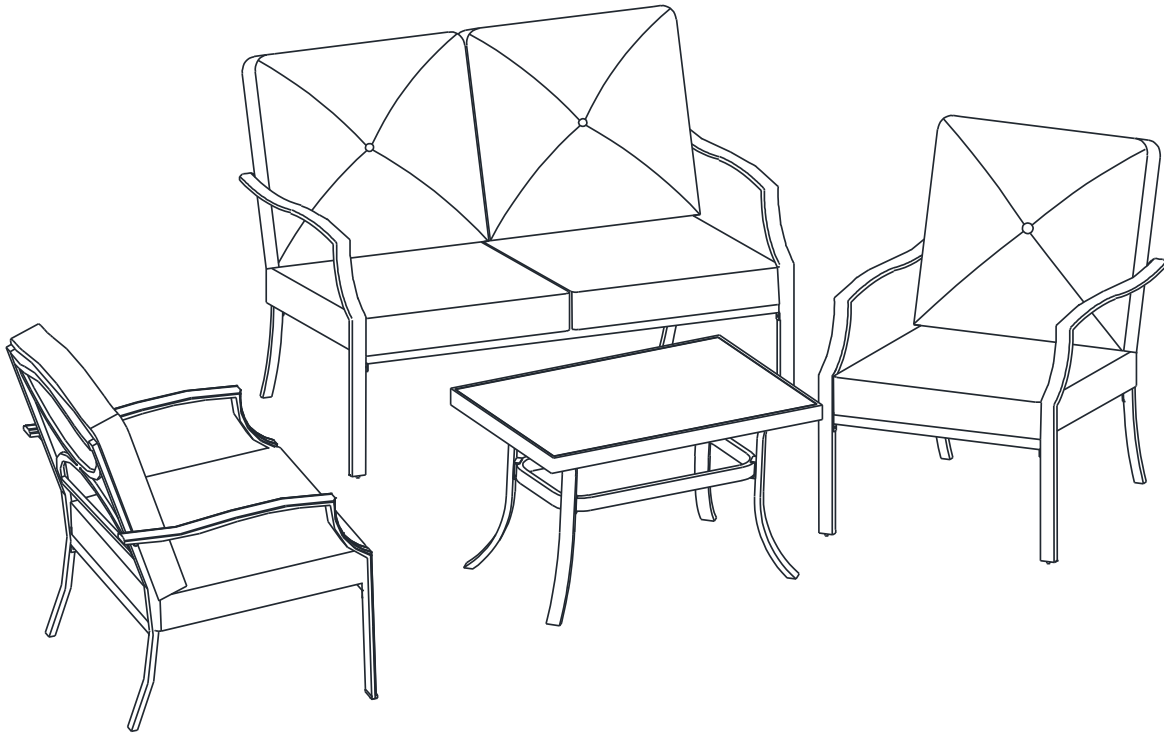


ASSEMBLY INTRUCTION

ITEM#: 110203041



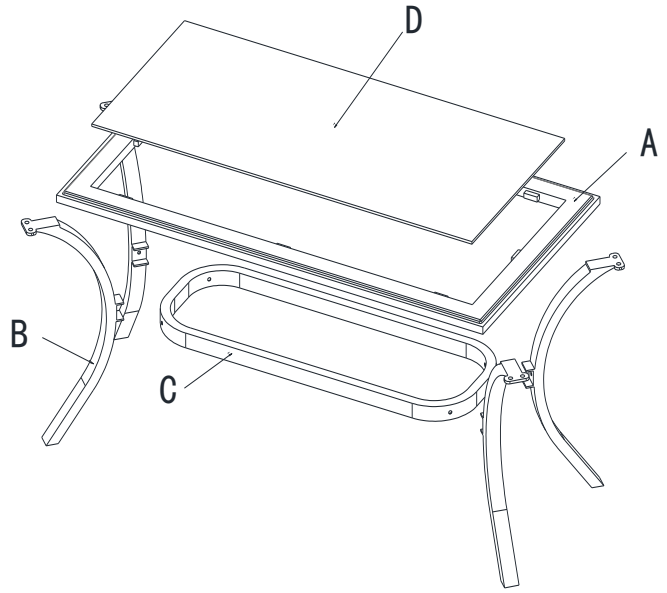
Warning

- Some parts may contain sharp edges. When assembling and using this product, basic safety precautions should always be followed to reduce the risk of personal injury and damage to the product. Please read all instructions before assembly and use.
- Check all bolts for tightness before use, and periodically check and tighten bolts as necessary.

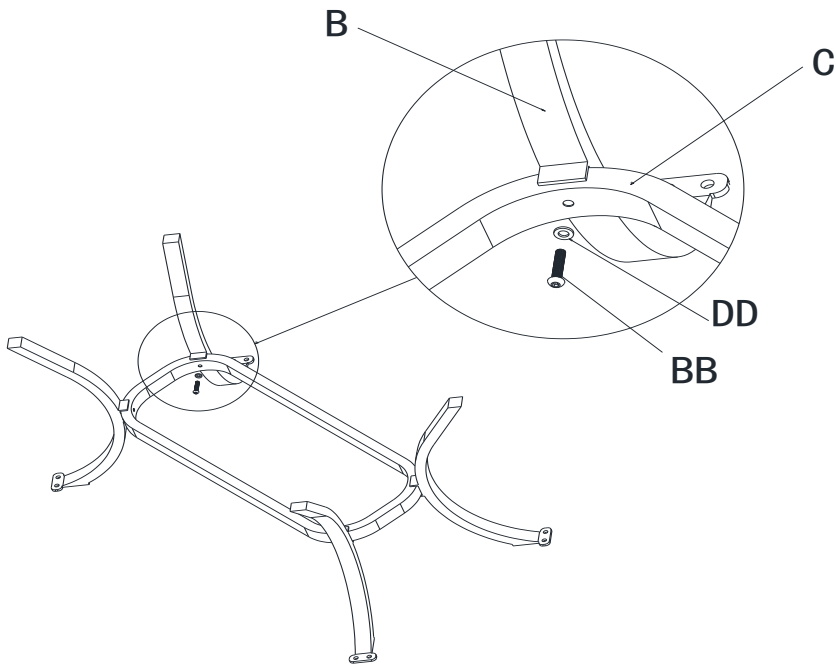
Important: For technical assistance on assembly, please call Sunjoy Industries at 1(866) 578-6569 anytime 24 hours / 7 days a week, or email to customer.care@sunjoygroup.com, or visit www.sunjoyonline.com.

PARTS LIST—Table		
Label	Description	QTY
A	Table Frame	1
B	Table Legs	4
C	Fixed Frame	1
D	Glass	1

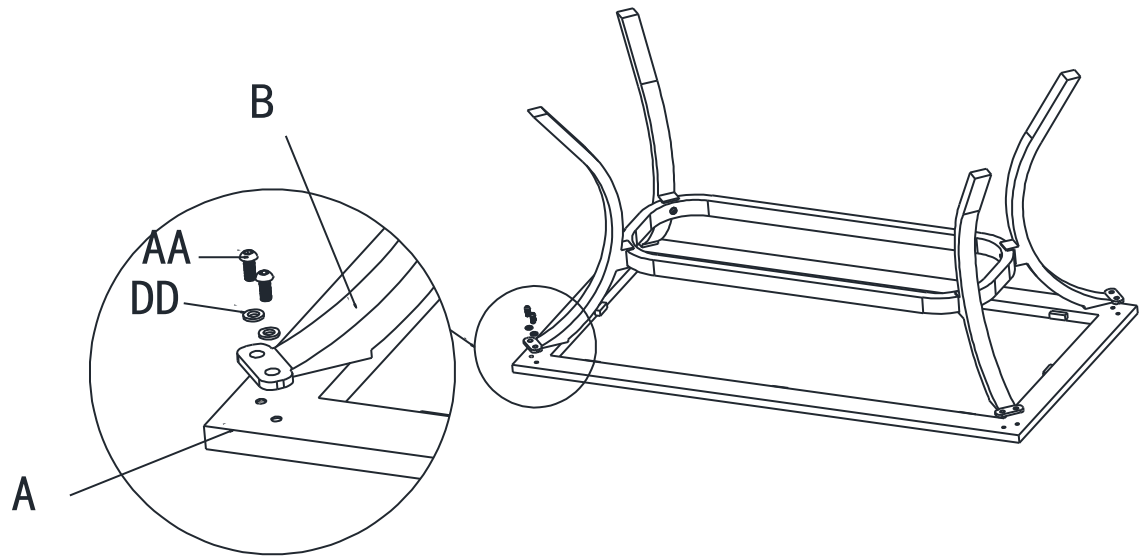
HARDWARE LIST—Table		
Label	Description	QTY
AA	Bolt M6x15	8
BB	Bolt M6x35	4
DD	Flat Washer M6	12
EE	Wrench M6	1



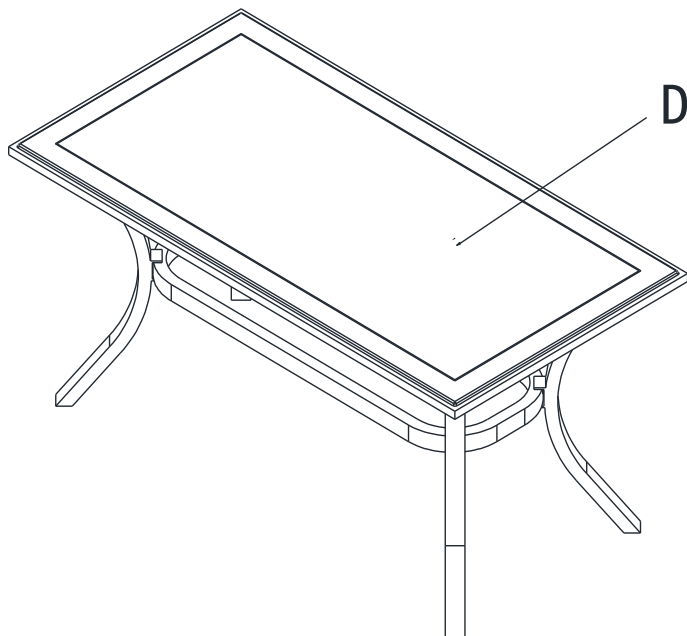
ASSEMBLY STEPS—Table



Step 1: Connect the 4 Table Legs (B) and the Fixed Frame (C) with Bolts (BB) and Wrench (DD), do not tighten at this step.



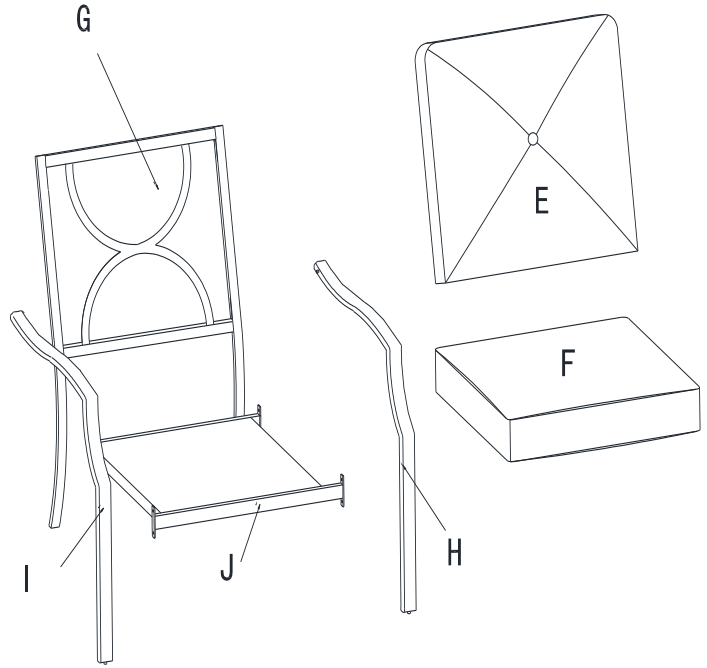
Step 2: Align the holes of Table Legs (B) and Table Frame (A), connect them with Wrench (EE), Bolts (AA) and Washers (DD), fasten all of the bolts.



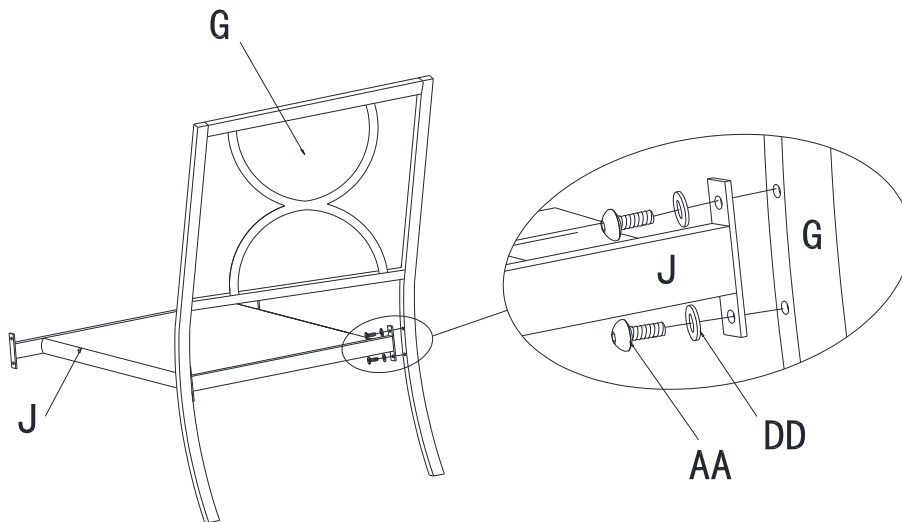
Step 3: Turn the table over, and put the Glass (D) on it.

PARTS LIST—Single Chair		
Label	Description	QTY
E	Back Cushion	2
F	Seat Cushion	2
G	Chair Back	2
H	Left Armrest	2
I	Right Armrest	2
J	Seat Board	2

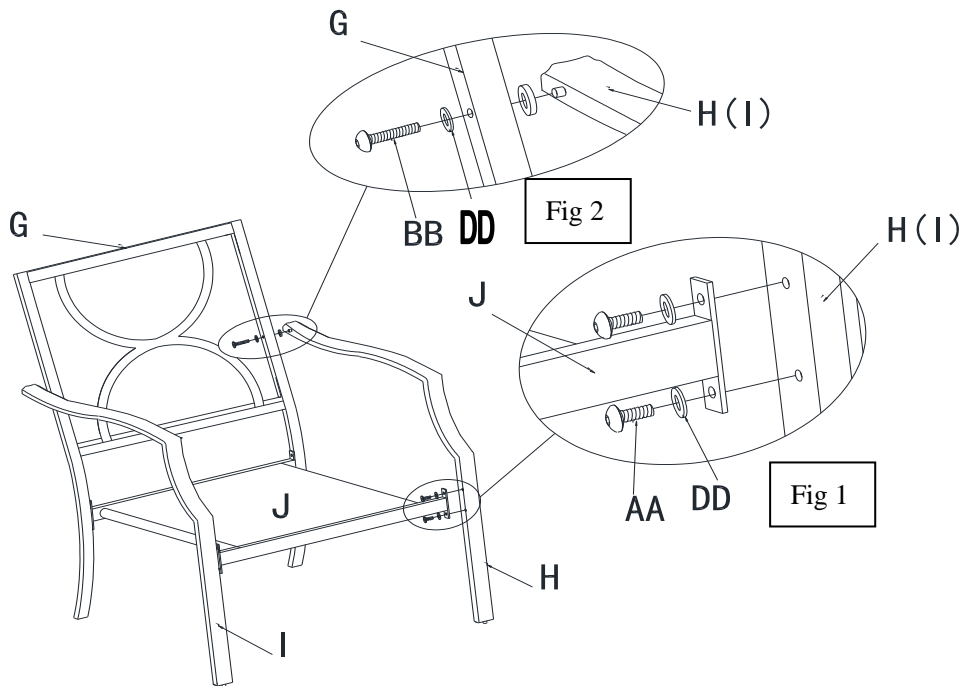
HARDWARE LIST—Single Chair		
Label	Description	QTY
AA	Bolt M6x15	16
BB	Bolt M6x35	4
DD	Flat Washer M6	20
EE	Wrench M6	1



ASSEMBLY STEPS—Single Chair



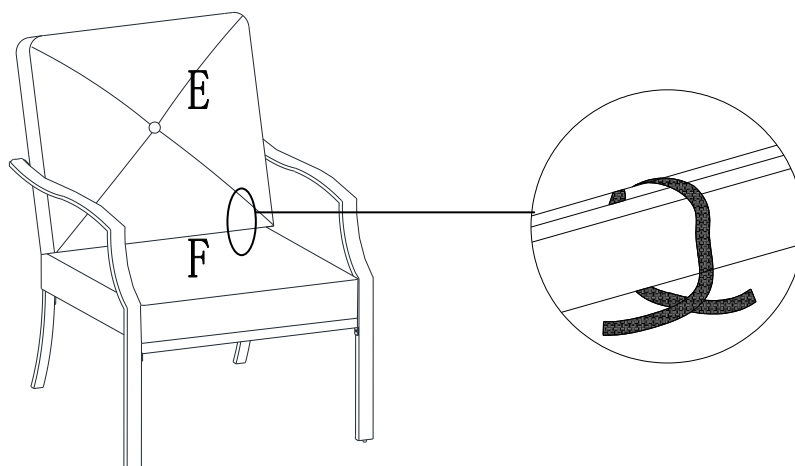
Step 1: Align the holes of Seat Board (J) and Chair Back (G), connect them with Wrench (EE), Bolts (AA) and Washers (DD) , do not tighten them.



Step 2:

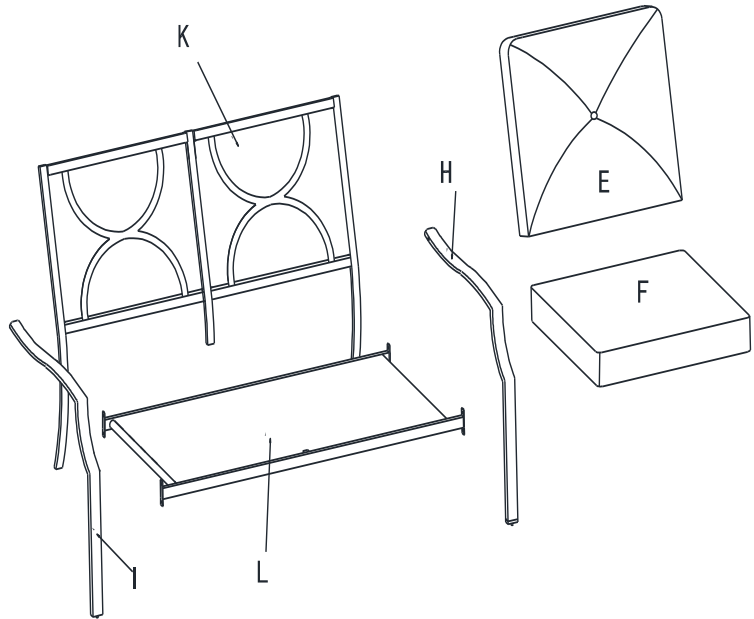
As shown in Fig1, align the holes of Seat Board (J) and Armrest (H/I), connect them with Wrench (EE), Bolts (AA) and Washers (DD), do not tighten them.

As shown in Fig2, align the holes of Chair Back (G) and Armrest (H/I), connect them with Wrench (EE), Bolts (BB) and Washers (DD), fasten all of the bolts.



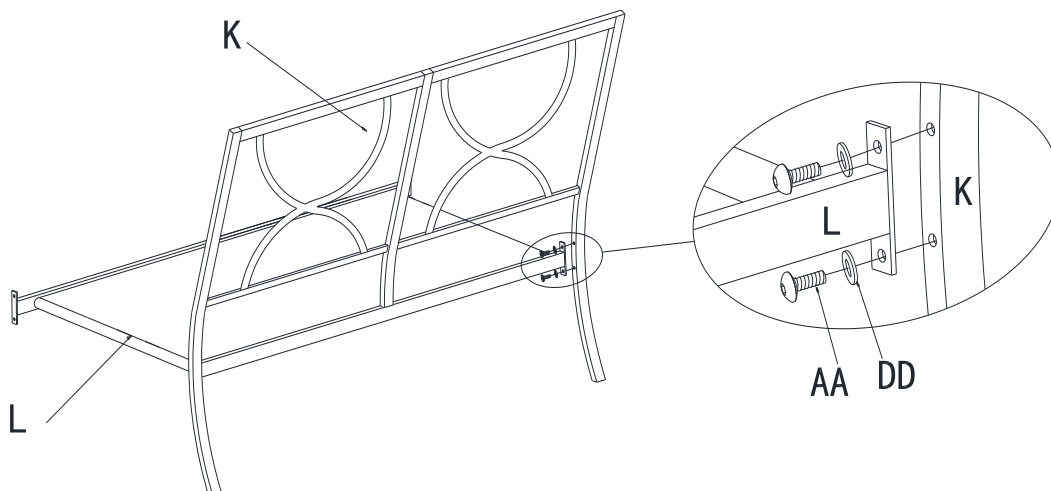
Step 3: Put the Seat Cushion (F) on the Seat Board (J), tie the belts, and then put the Back Cushion (E) on the Chair Back (G).

PARTS LIST—Loveseat		
Label	Description	QTY
E	Back Cushion	2
F	Seat Cushion	2
H	Left Armrest	1
I	Right Armrest	1
K	Chair Back	1
L	Seat Board	1

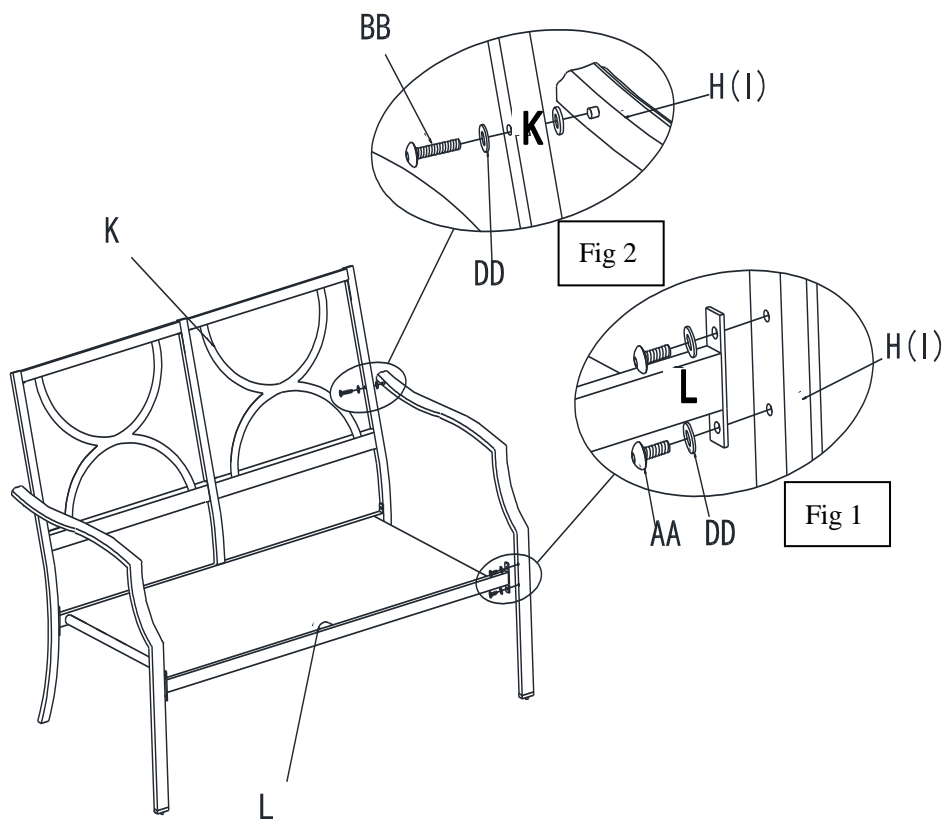


HARDWARE LIST—Loveseat		
Label	Description	QTY
AA	Bolt M6x15	8
BB	Bolt M6x35	2
CC	Bolt M6x45	1
DD	Flat Washer M6	11
EE	Wrench M6	1

ASSEMBLY STEPS—Loveseat



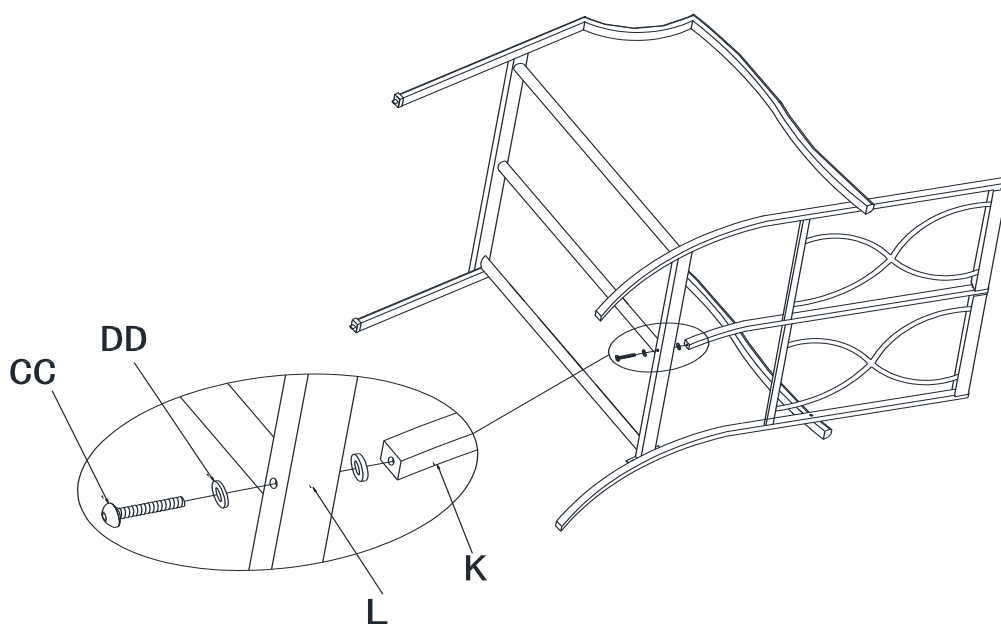
Step 1: Align the holes of Seat Board (L) and Chair Back (K), connect them with Wrench (EE), Bolts (AA) and Washers (DD), do not tighten at this step.



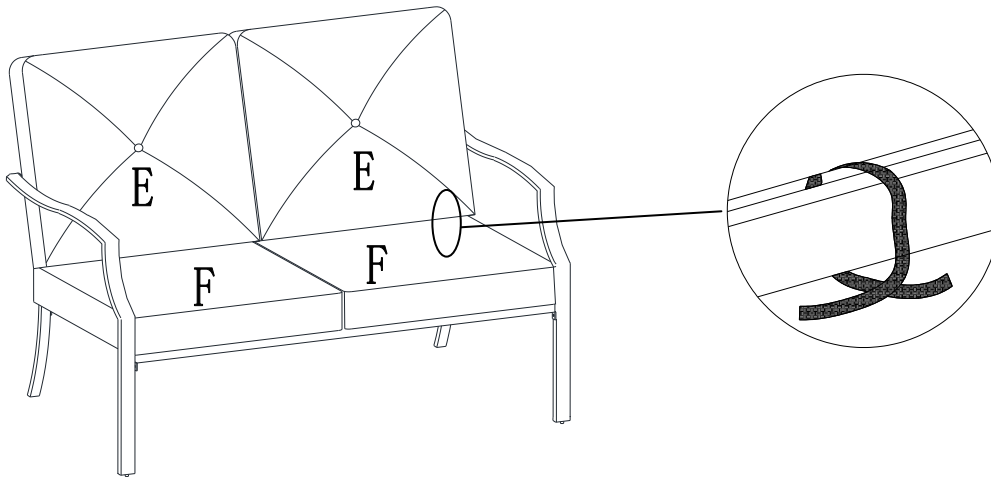
Step 2:

As shown in Fig1, align the holes of Seat Board (L) and Armrest (H/I), connect them with Wrench (EE), Bolts (AA) and Washers (DD), do not tighten them.

As shown in Fig2, align the holes of Chair Back (K) and Armrest (H/I), connect them with Wrench (EE), Bolts (BB) and Washers (DD), do not tighten them.



Step 3: Align the holes of Seat Board (L) and Chair Back (K), connect them with Wrench (EE), Bolts (CC) and Washers (DD), fasten all of the bolts.



Step 4: Put the Seat Cushions (F) on the Seat Board (J), tie the belts, and then put the Back Cushions (E) on the Chair Back (G).

Care & Maintenance:

- Before using, clean the product completely with a soft dry towel.
- When not in use, wipe free of any dirt or loose objects, wash with a mild solution of soap and water; rinse thoroughly and dry completely. Do not use strong detergent or abrasive cleaners.
- Steel components of garden accessories and furniture are treated with rust inhibiting paint. However, due to the nature of steel, surface oxidation (rusting) will occur if this protective coating is scratched.
- To minimize this condition, it is recommended that care be taken when assembling and handling the product, in order to prevent the paint from being scratched.

Limited Warranty:

The item is warranted to be free from defects in material or workmanship for a period of twelve (12) months. However, we do not reimburse for transportation or delivery costs, nor compensate the individual or any outside party for assembling or disassembling the product. This limited warranty is extended to the original purchaser and applies to defects in materials and workmanship of your item, provided the item is maintained with care and used only for personal residential purposes.

Exclusions

Items used for commercial, contract, or other non-residential purposes, or items damaged due to acts of nature, vandalism, misuse, or improper assembly are not covered. Corrosion or rusting of hardware is not covered. Proof of purchase (dated register receipt) is required for warranty claims. Warranty is to the original purchaser and is non-transferable. Any replacement of warranted items will be in the original style and color or a similar style and color if the original is unavailable or has been discontinued. As some states do not allow exclusions or limitations on an implied warranty, the above exclusions and limitations may not apply. This warranty gives you specific rights, and you may also have other rights, which vary from state to state.