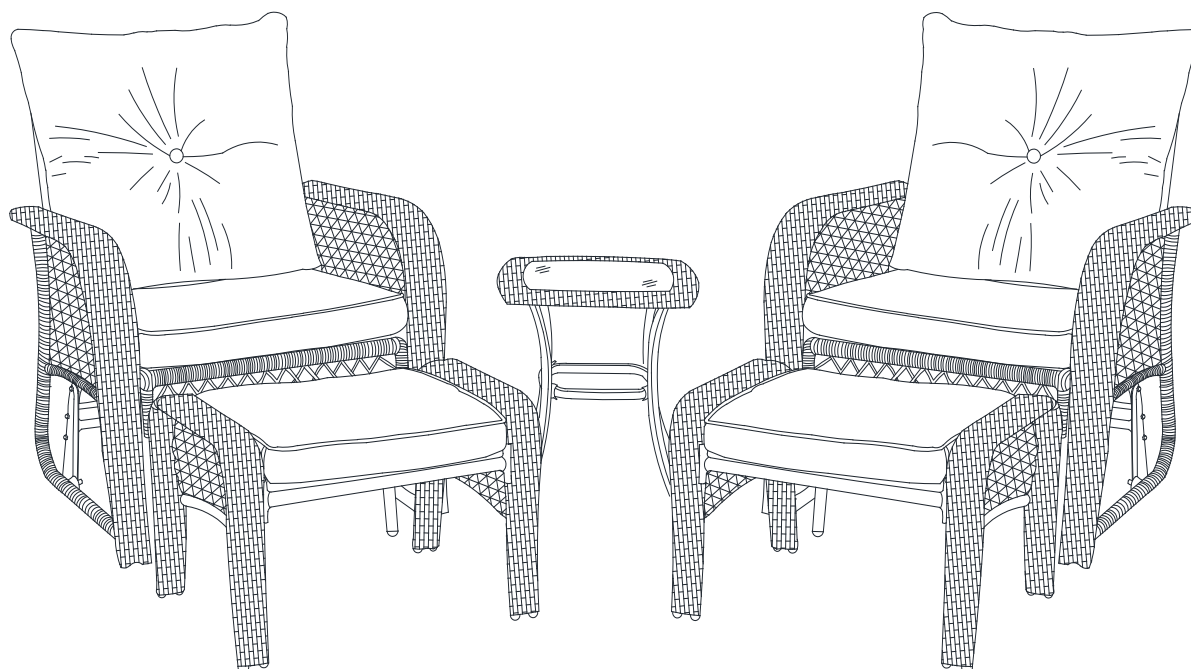


# ASSEMBLY INTRUCTION

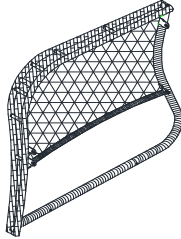
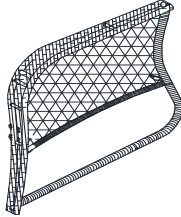
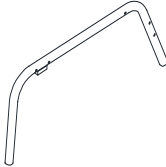
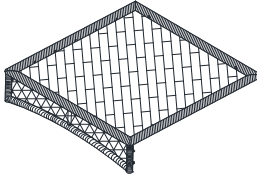
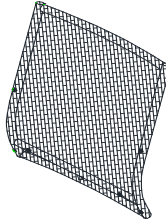
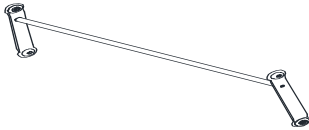
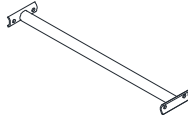
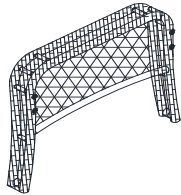
ITEM#: 110203037

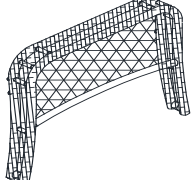
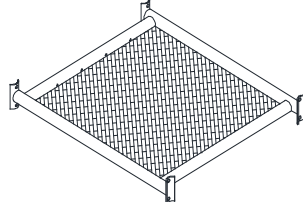
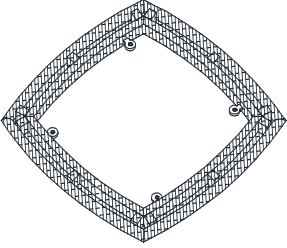
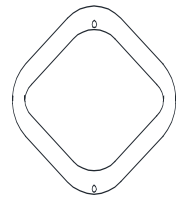
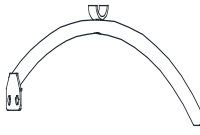
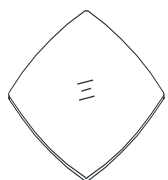
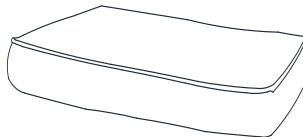
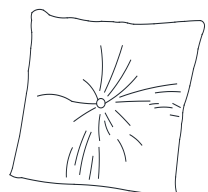





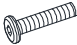
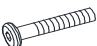
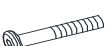
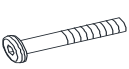




## **Warning**

- Some parts may contain sharp edges. When assembling and using this product, basic safety precautions should always be followed to reduce the risk of personal injury and damage to the product. Please read all instructions before assembly and use.
- Check all bolts for tightness before use, and periodically check and tighten bolts as necessary.

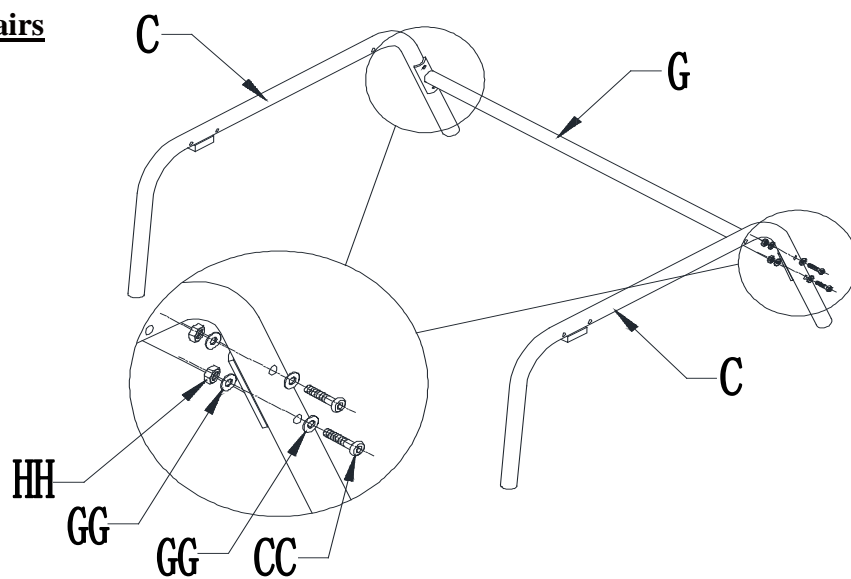
**Important:** For technical assistance on assembly, please call Sunjoy Industries at 1(866) 578-6569 anytime 24 hours / 7 days a week, or email to [customer.care@sunjoygroup.com](mailto:customer.care@sunjoygroup.com), or visit [www.sunjoyonline.com](http://www.sunjoyonline.com).

PARTS LIST			
Label	Description	QTY	Image
A	Right Armrest	2	
B	Left Armrest	2	
C	Chair Leg	4	
D	Seat Base	2	
E	Chair Back	2	
F	Seat Connector	4	
G	Leg Connector	4	
H	Left Footrest	2	

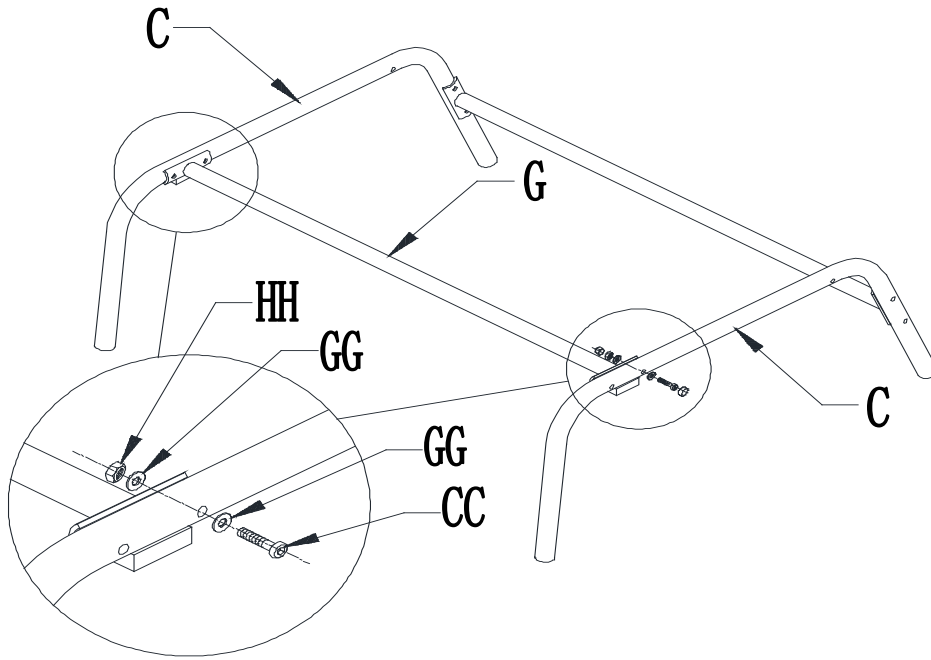
I	Right Footrest	2	
J	Seat Board	2	
K	Tabletop	1	
L	Fixed Frame	1	
M	Table Leg	4	
N	Glass	1	
O	Seat Cushion	2	
P	Back Cushion	2	
Q	Footrest Cushion	2	

HARDWARE LIST			
Label	Description	QTY	Image
AA	Plastic Washer M6	16	
BB	Flat Hexagon Bolt M6x18	40	
CC	Flat Hexagon Bolt M6x40	16	
DD	Flat Hexagon Bolt M6x50	4	
EE	Flat Hexagon Bolt M6x55	12	
FF	Flat Hexagon Bolt M6x60	4	
GG	Flat Washer M6	108	
HH	Nut M6	32	
II	Allen Wrench M6	2	
JJ	Open-end Wrench M6	2	

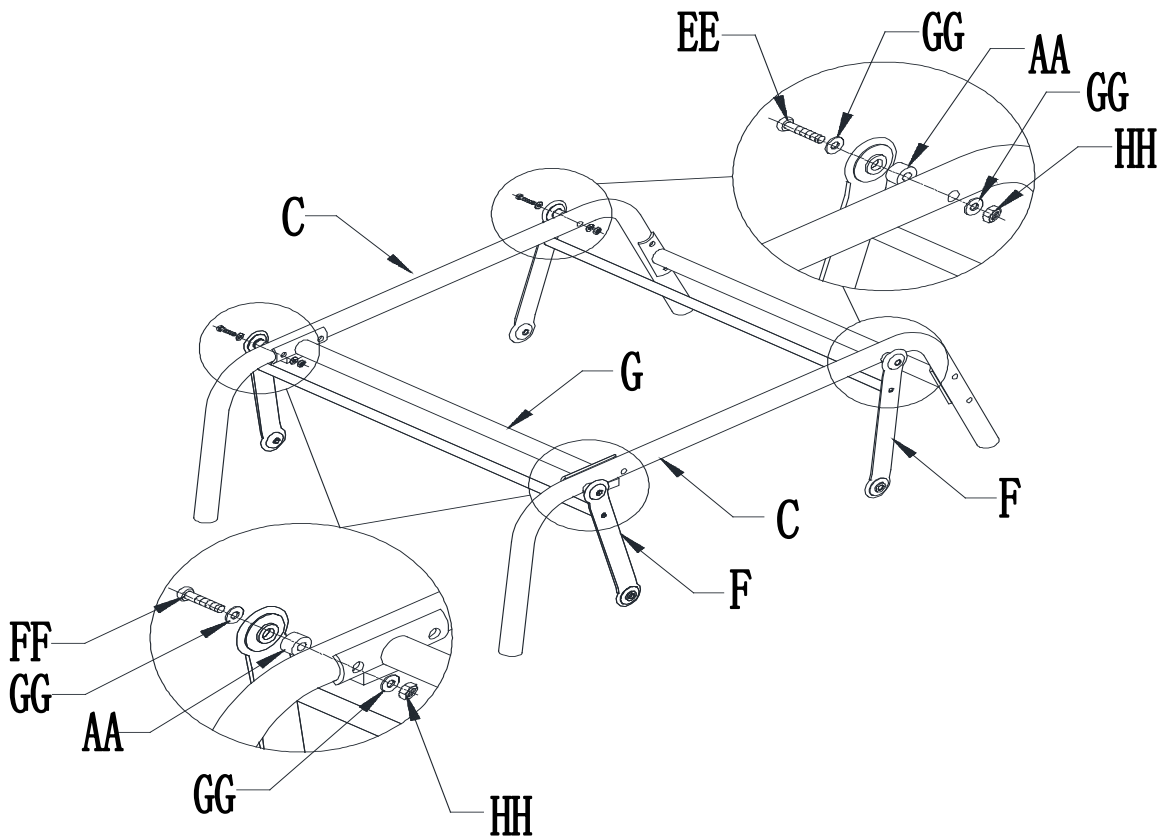
**ASSEMBLY STEPS-Chairs**



**Step 1:** Connect the Chair Legs (C) and one Leg Connector (G) with Nuts (HH), Washers (GG) and Bolts (CC).



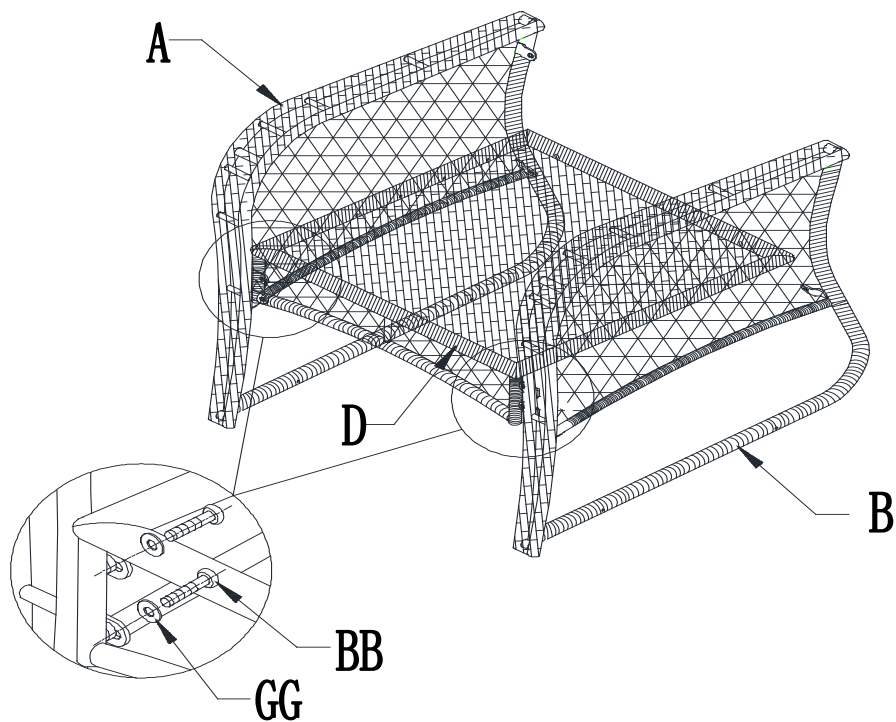
**Step 2:** Connect the Chair Legs (C) and another Leg Connector (G) with Nuts (HH), Washers (GG) and Bolts (CC).



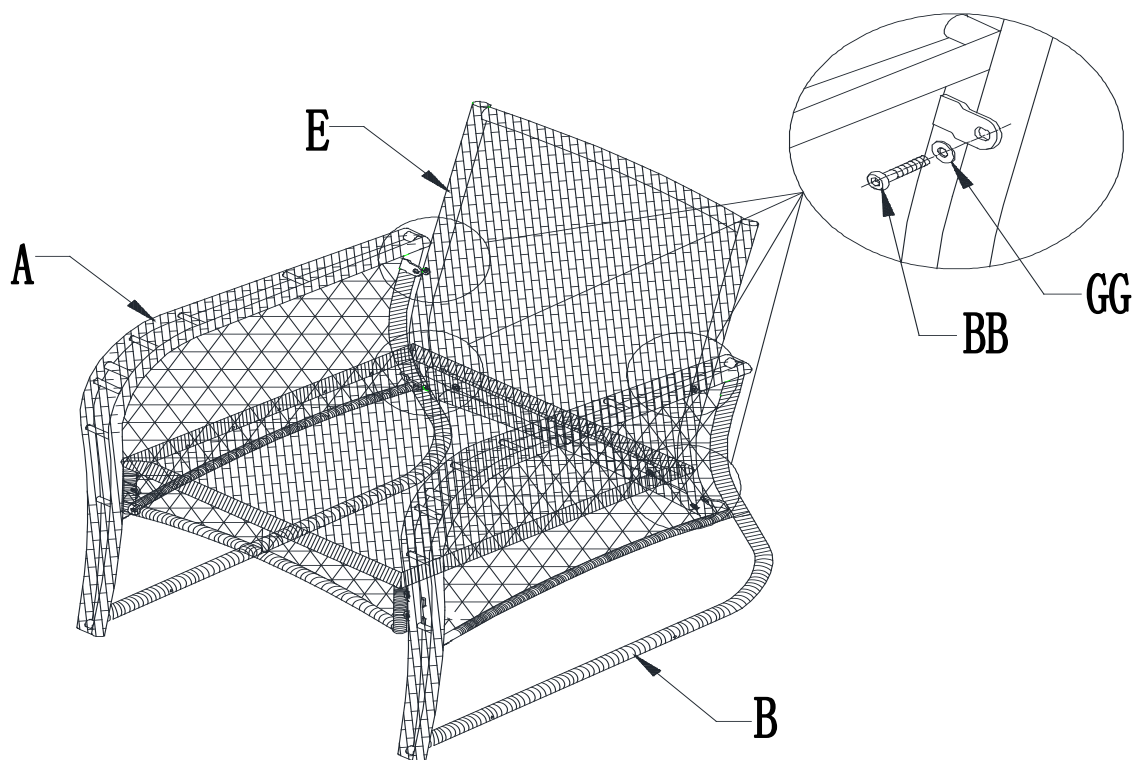
**Step 3:**

Connect one Chair Leg (C), Leg Connectors (G) and Seat Connector (F) with Nuts (HH), Washers (GG), Washers (AA), and Bolts (FF).

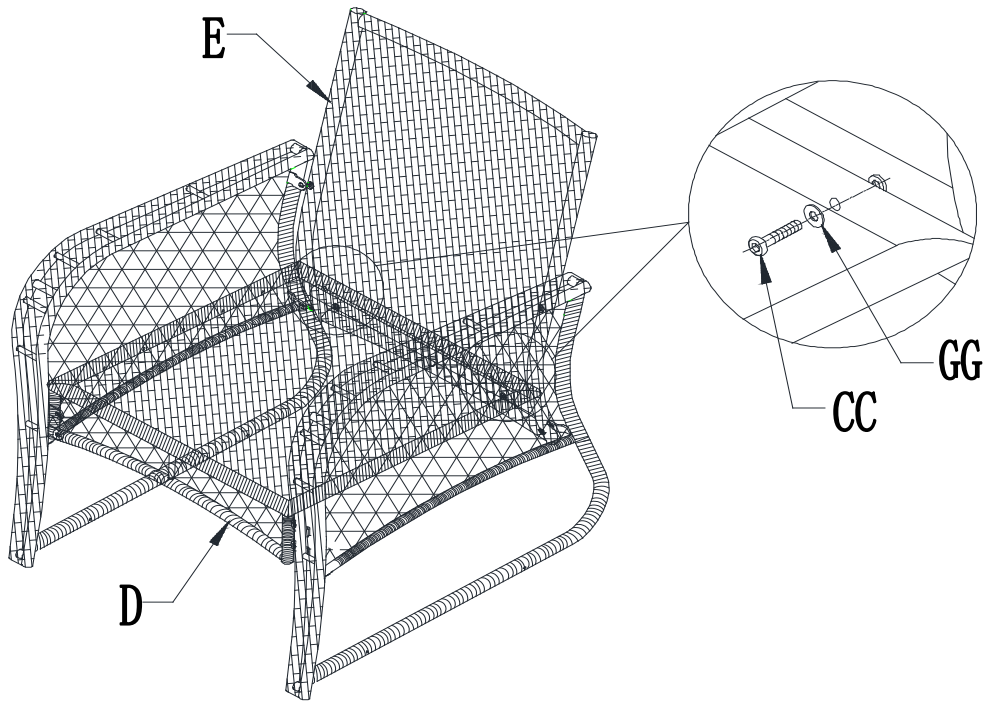
Connect the other side of Chair Leg (C) and Seat Connector (F) with Nuts (HH), Washers (GG), Washers (AA), and Bolts (EE).



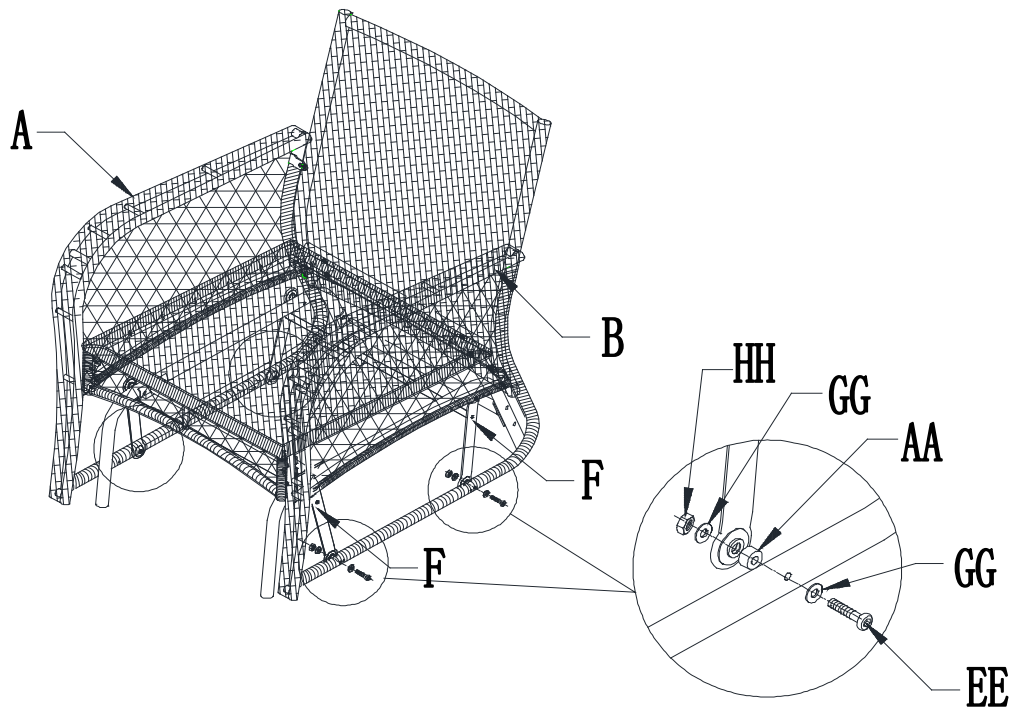
**Step 4:** Connect the Armrests (A/B) and Seat Base (D) with Washers (GG) and Bolts (BB).



**Step 5:** Connect the Armrests (A/B) and Chair Back (E) with Washers (GG) and Bolts (BB).

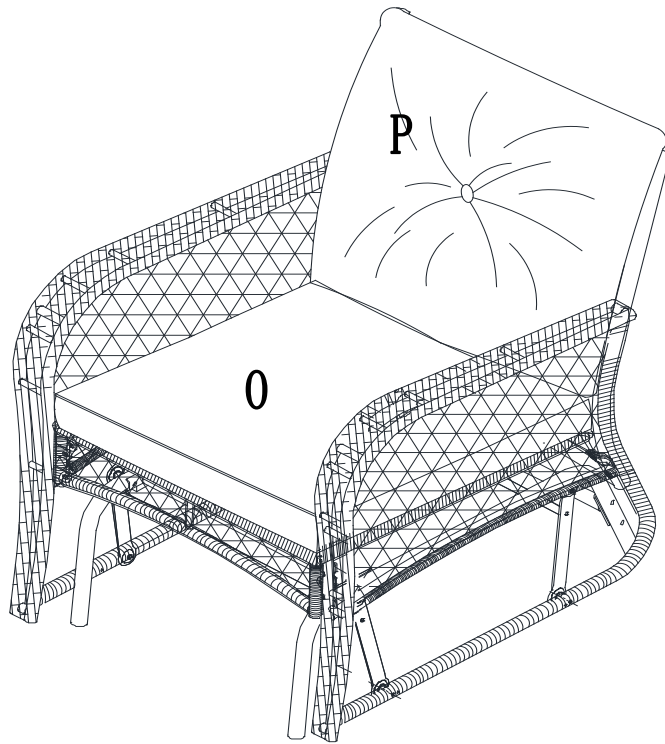


**Step 6:** Connect the Seat Base (D) and the Chair Back (E) with Washers (GG) and Bolts (CC).



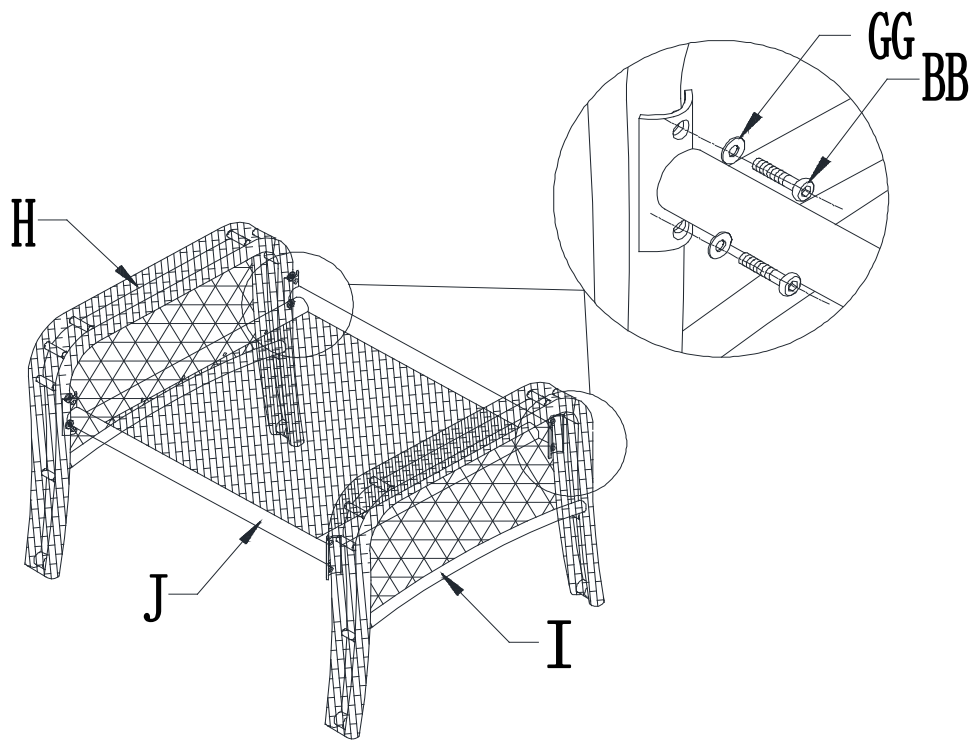
**Step 7:** Connect the Armrests (A/B) and Seat Connectors (F) with Nuts (HH), Washers (GG), Washers (AA) and Bolts (EE).





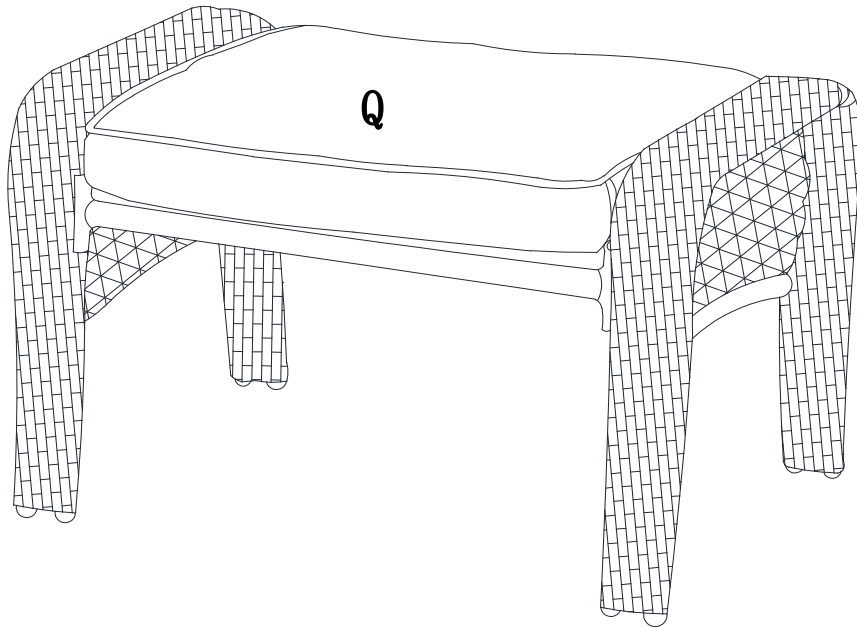
**Step 8:** Put the Seat Cushion (O) and the Back Cushion on the assembled chair. Now your chair is ready for use.

**ASSEMBLY STEPS-Footrests**



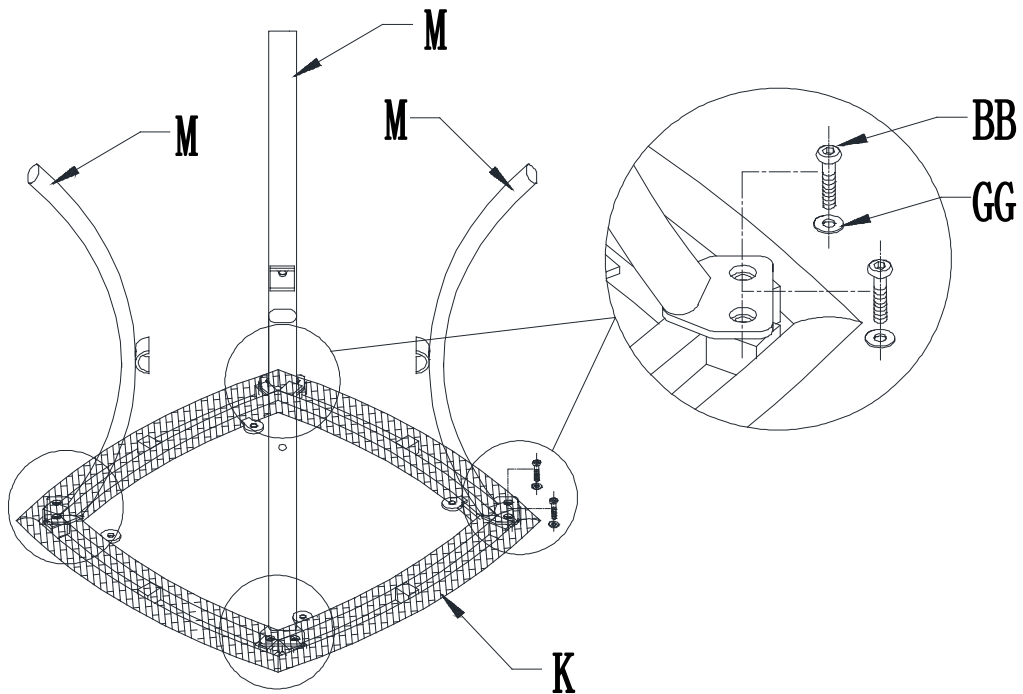
**Step 1:** Connect the Footrests (H/I) and the Seat Board (J) with Washers (GG) and Bolts (BB).



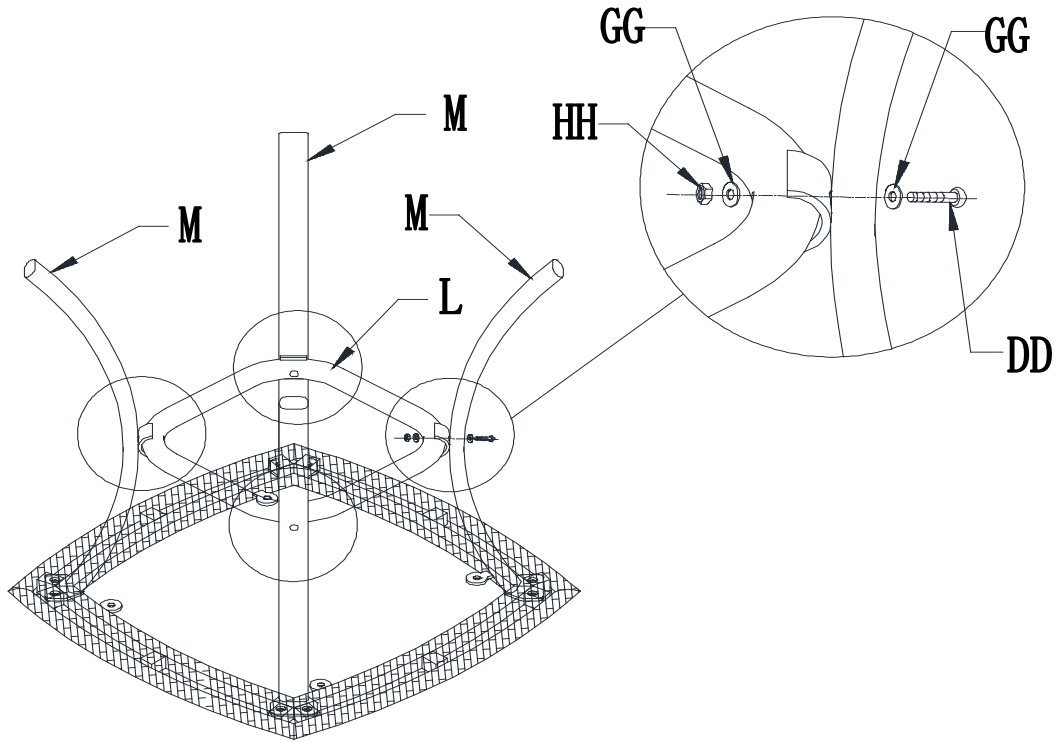


**Step 2:** Put the Footrest Cushion (Q) on the assembled Footrest.

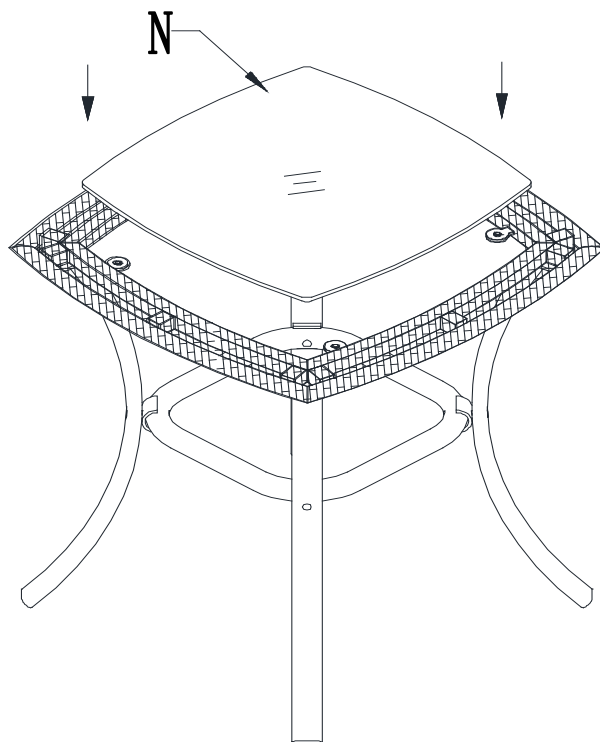
**ASSEMBLY STEPS-Table**



**Step 1:** Turn the Tabletop (K) over , connect the Table Legs (M) and the Tabletop (K) with Bolts (BB) and Washers (GG).



**Step 2:** Connect the Fixed Frame (L) and Table Legs (M) with Nuts (HH) , Washers (GG) and Bolts (DD).



**Step 3:** Turn the assembled table over, and put the Glass (N) on it.

**Care & Maintenance:**

- Before using, clean the product completely with a soft dry towel.
- When not in use, wipe free of any dirt or loose objects, wash with a mild solution of soap and water; rinse thoroughly and dry completely. Do not use strong detergent or abrasive cleaners.
- Steel components of garden accessories and furniture are treated with rust inhibiting paint. However, due to the nature of steel, surface oxidation (rusting) will occur if this protective coating is scratched.
- To minimize this condition, it is recommended that care be taken when assembling and handling the product, in order to prevent the paint from being scratched.

**Limited Warranty:**

The item is warranted to be free from defects in material or workmanship for a period of twelve (12) months. However, we do not reimburse for transportation or delivery costs, nor compensate the individual or any outside party for assembling or disassembling the product. This limited warranty is extended to the original purchaser and applies to defects in materials and workmanship of your item, provided the item is maintained with care and used only for personal residential purposes.

**Exclusions**

Items used for commercial, contract, or other non-residential purposes, or items damaged due to acts of nature, vandalism, misuse, or improper assembly are not covered. Corrosion or rusting of hardware is not covered. Proof of purchase (dated register receipt) is required for warranty claims. Warranty is to the original purchaser and is non-transferable. Any replacement of warranted items will be in the original style and color or a similar style and color if the original is unavailable or has been discontinued. As some states do not allow exclusions or limitations on an implied warranty, the above exclusions and limitations may not apply. This warranty gives you specific rights, and you may also have other rights, which vary from state to state.