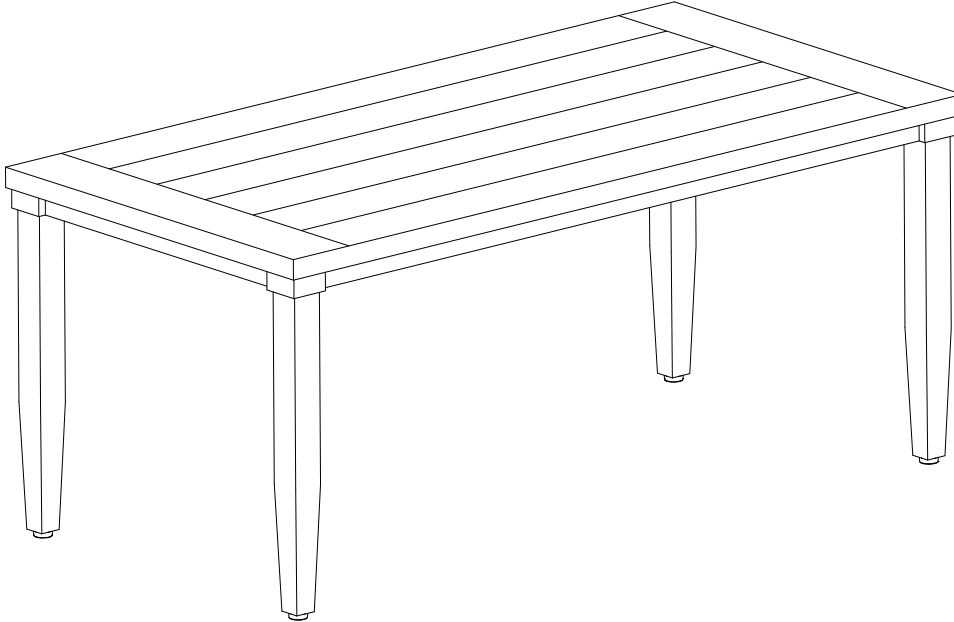


ASSEMBLY IINSTRUCTIONS

D-DN1528SAL-B Coffee table



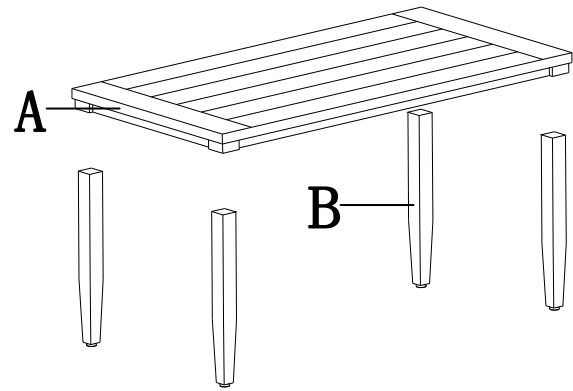
Warning

- Some parts may contain sharp edges. When assembling and using this product, basic safety precautions should always be followed to reduce the risk of personal injury and damage to the product. Please read all instructions before assembly and use.
- Check all bolts for tightness before use, and periodically check and tighten bolts as necessary.

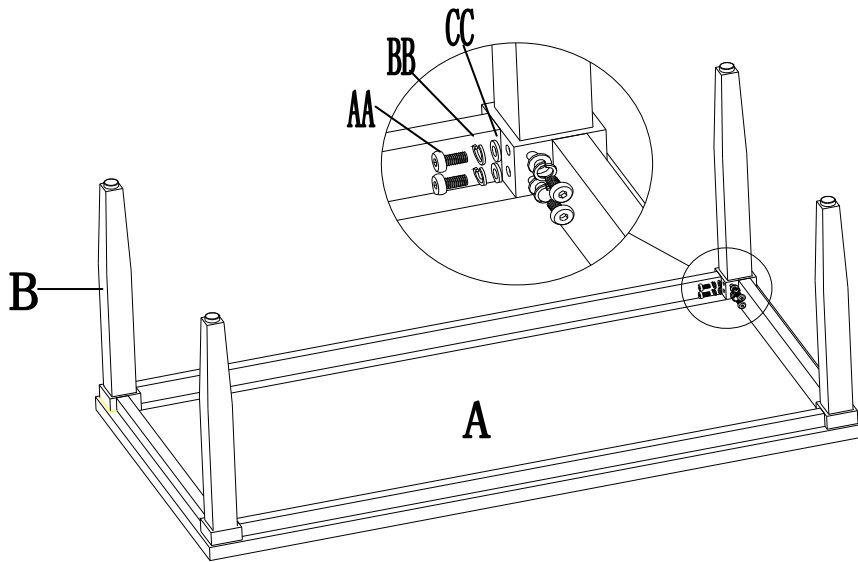
Important: For technical assistance on assembly or replacement parts, please call Sunjoy Industries at 1(866) 578-6569 from 8:00 AM EST to 8:00 PM PST or email to customer.care@sunjoygroup.com or visit www.sunjoyonline.com to place your order or fax your parts replacement order form together with your purchase receipt to 1-740-283-3549 for assistance.

Limited Warranty: The item is warranted to be free from defects in material or workmanship for a period of **12** Months. However, we don't reimburse for transportation or delivery costs, or compensate the individual or any outside party for assembling or disassembling the product. This limited warranty is extended to the original purchaser and applies to defects in materials and workmanship of your item, provided the item is maintained with care and used only for personal residential purposes.

Parts List		
Part#	Description	QTY
A	Table top	1
B	Table leg	4
AA	Bolt M6x20	16
BB	Spring Washer M6	16
CC	Flat Washer M6	16
DD	Wrench M6	1
EE	Foot pad (preassembled)	4



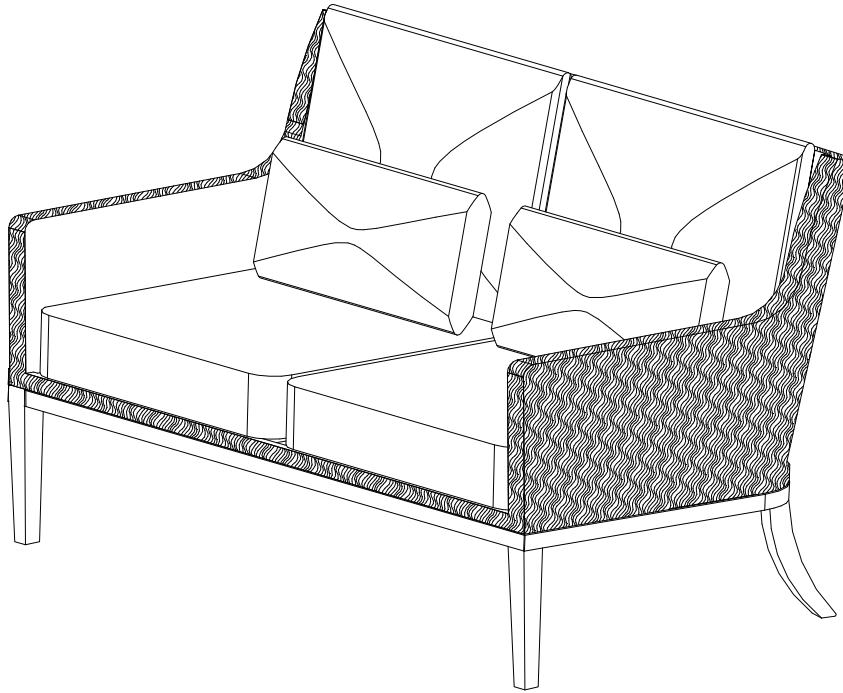
ASSEMBLY STEPS:



Attach Table leg (B) onto Table top (A) with Bolt (AA), Spring washer (BB) and Flat washer (CC).

ASSEMBLY IINSTRUCTIONS

D-DN1528SAL-B Loveseat



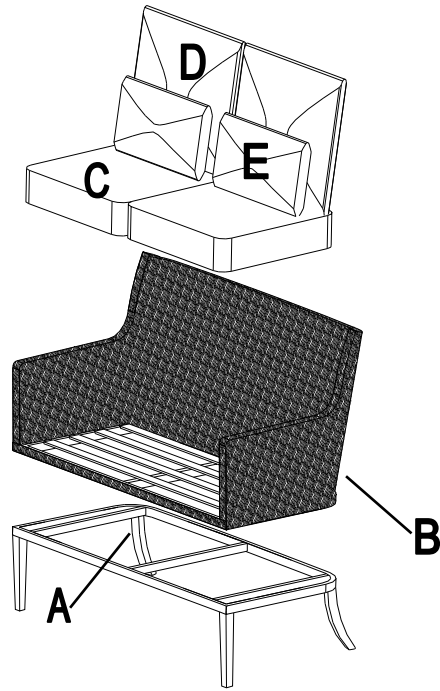
Warning

- Some parts may contain sharp edges. When assembling and using this product, basic safety precautions should always be followed to reduce the risk of personal injury and damage to the product. Please read all instructions before assembly and use.
- Check all bolts for tightness before use, and periodically check and tighten bolts as necessary.

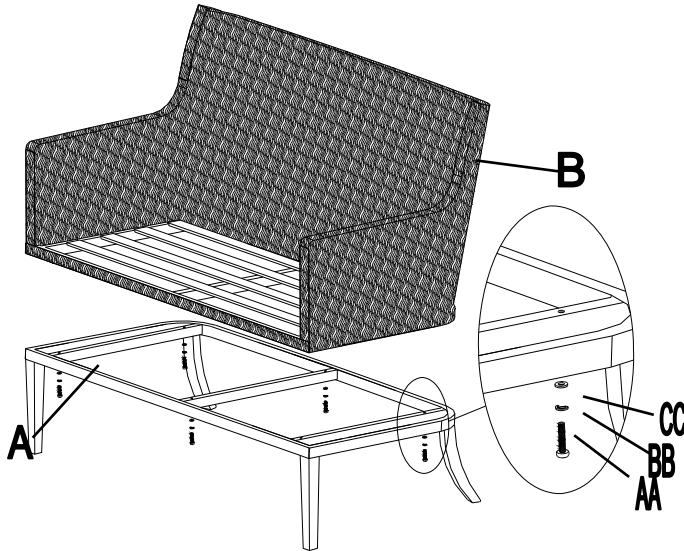
Important: For technical assistance on assembly or replacement parts, please call Sunjoy Industries at 1(866) 578-6569 from 8:00 AM EST to 8:00 PM PST or email to customer.care@sunjoygroup.com or visit www.sunjoyonline.com to place your order or fax your parts replacement order form together with your purchase receipt to 1-740-283-3549 for assistance.

Limited Warranty: The item is warranted to be free from defects in material or workmanship for a period of **12** Months. However, we don't reimburse for transportation or delivery costs, or compensate the individual or any outside party for assembling or disassembling the product. This limited warranty is extended to the original purchaser and applies to defects in materials and workmanship of your item, provided the item is maintained with care and used only for personal residential purposes.

Parts List		
Part#	Description	QTY
A	Chair base	1
B	Chair seat	1
C	Seat cushion	2
D	Back cushion	2
E	Throw pillow	2
AA	Bolt M6x45	6
BB	Spring Washer M6	6
CC	Flat Washer M6	6
DD	Wrench M6	1
EE	Foot pad (preassembled)	4

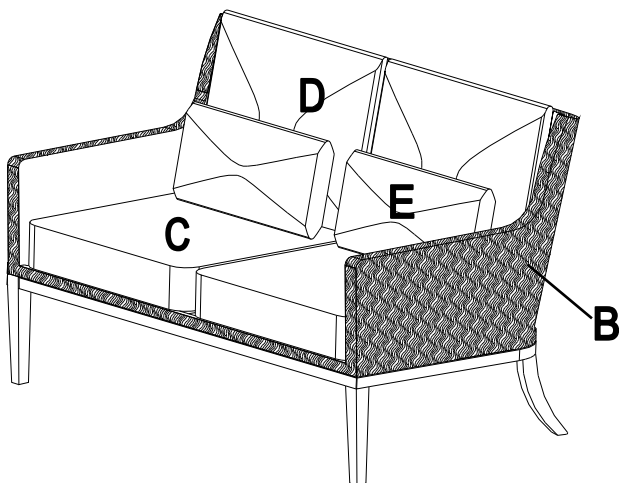


ASSEMBLY STEPS:



Step 1.

Secure Chair base (A) and Chair seat (B) with Bolt (AA), Spring washer (BB) and Flat washer (CC).

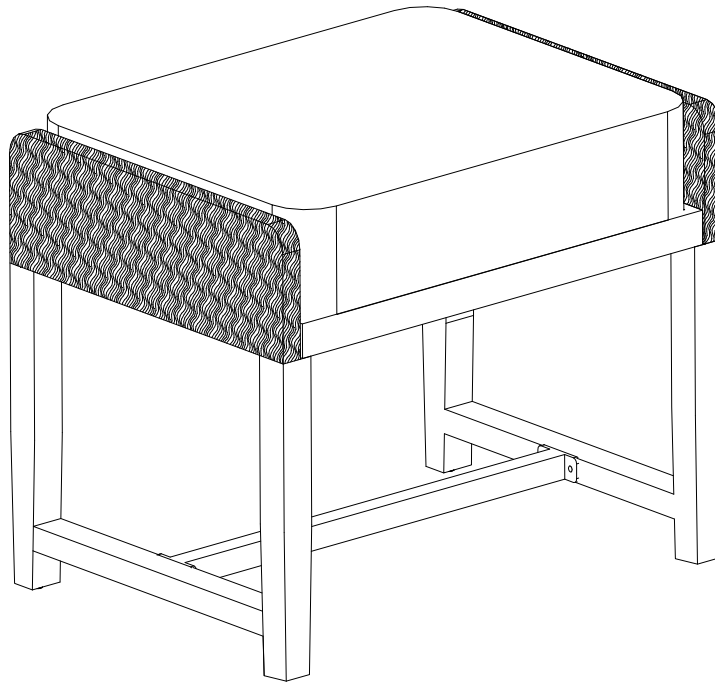


Step 2:

Place Seat cushion (C), Back cushion (D) and Lumbar (E) on the assembled chair respectively.

ASSEMBLY IINSTRUCTIONS

L-DN1527SAL/D-DN1528SAL-B Ottoman



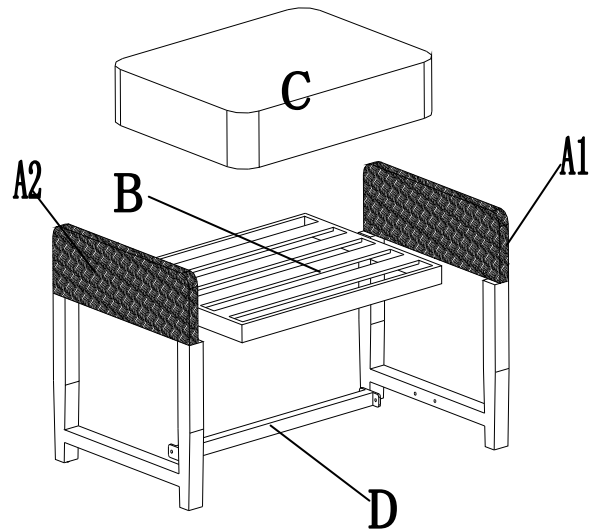
Warning

- Some parts may contain sharp edges. When assembling and using this product, basic safety precautions should always be followed to reduce the risk of personal injury and damage to the product. Please read all instructions before assembly and use.
- Check all bolts for tightness before use, and periodically check and tighten bolts as necessary.

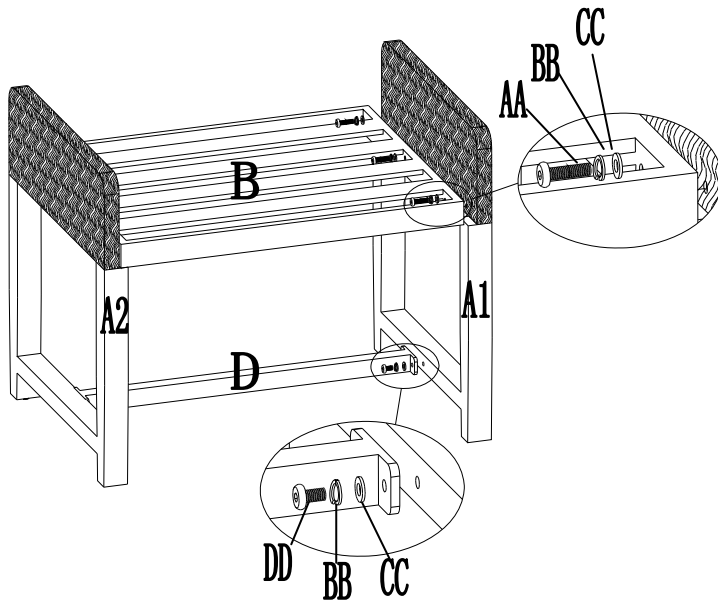
Important: For technical assistance on assembly or replacement parts, please call Sunjoy Industries at 1(866) 578-6569 from 8:00 AM EST to 8:00 PM PST or email to customer.care@sunjoygroup.com or visit www.sunjoyonline.com to place your order or fax your parts replacement order form together with your purchase receipt to 1-740-283-3549 for assistance.

Limited Warranty: The item is warranted to be free from defects in material or workmanship for a period of **12** Months. However, we don't reimburse for transportation or delivery costs, or compensate the individual or any outside party for assembling or disassembling the product. This limited warranty is extended to the original purchaser and applies to defects in materials and workmanship of your item, provided the item is maintained with care and used only for personal residential purposes.

Parts List		
Part#	Description	QTY
A1	Leg 1	1
A2	Leg 2	1
B	Slat panel	1
C	Cushion	1
D	Support tube	1
AA	Bolt M6x37	6
BB	Spring washer M6	10
CC	Flat Washer M6	10
DD	Bolt M6x20	4
EE	Wrench M6	1

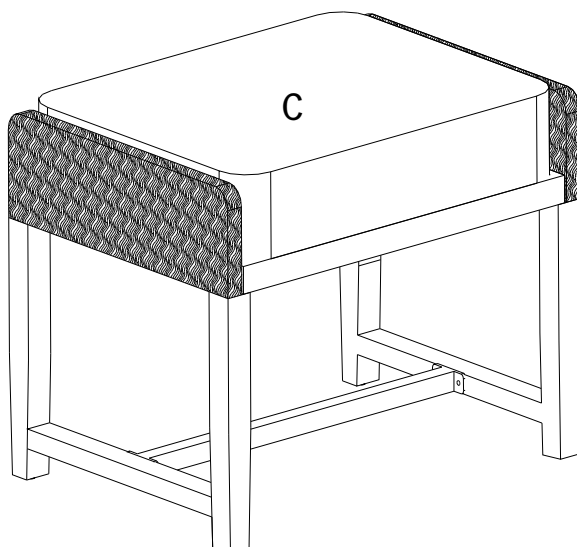


ASSEMBLY STEPS:



Step 1.

Secure Leg 1 (A1) / Leg 2 (A2) and Slat panel (B) with Bolt (AA), Spring washer (BB) and Flat washer (CC), then attach Support tube (D) to Leg 1 (A1) / Leg 2 (A2) with Bolt (DD), Spring washer (BB) and Flat washer (CC) .

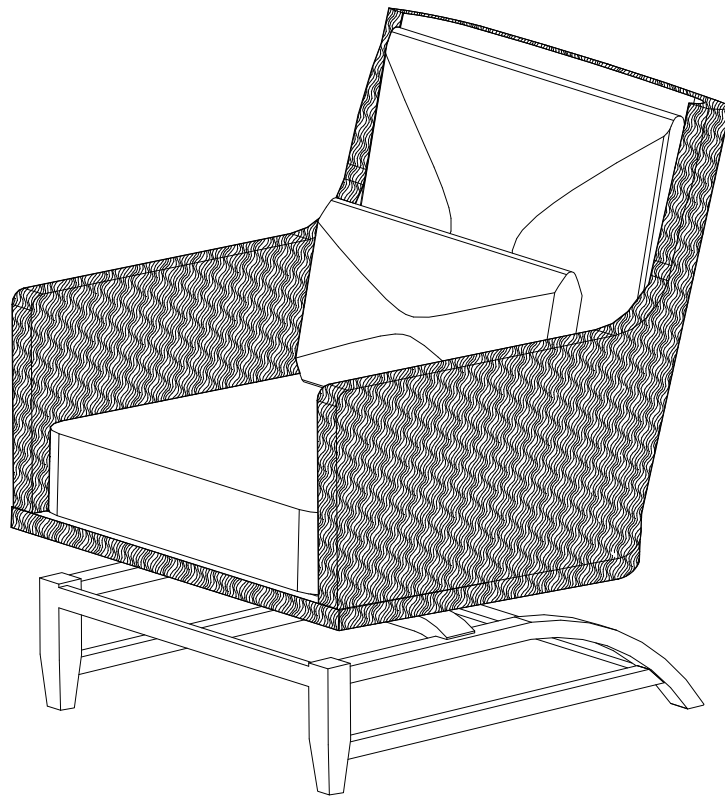


Step 2:

Place Cushion (C) on the assembled table and lock the loop and hook on Slat panel (B).

ASSEMBLY IINSTRUCTIONS

L-DN1527SAL/D-DN1528SAL-B Rocker



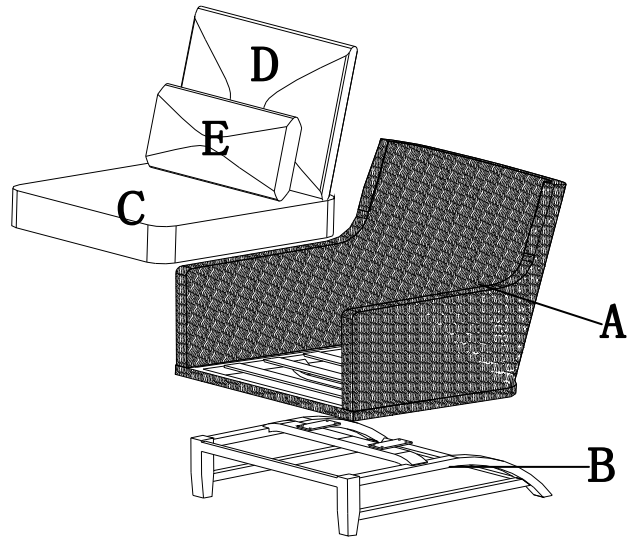
Warning

- Some parts may contain sharp edges. When assembling and using this product, basic safety precautions should always be followed to reduce the risk of personal injury and damage to the product. Please read all instructions before assembly and use.
- Check all bolts for tightness before use, and periodically check and tighten bolts as necessary.

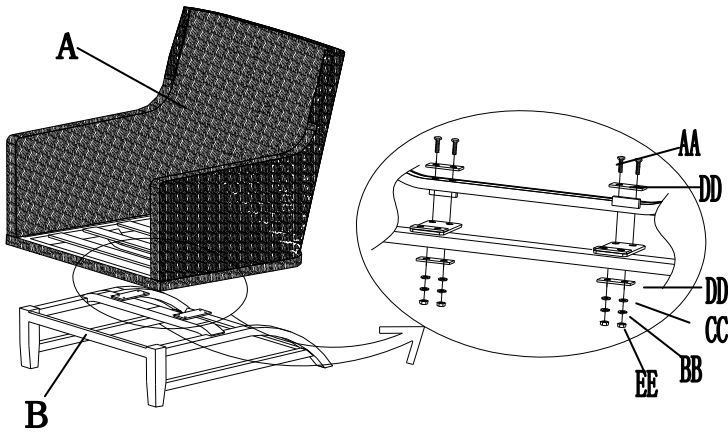
Important: For technical assistance on assembly or replacement parts, please call Sunjoy Industries at 1(866) 578-6569 from 8:00 AM EST to 8:00 PM PST or email to customer.care@sunjoygroup.com or visit www.sunjoyonline.com to place your order or fax your parts replacement order form together with your purchase receipt to 1-740-283-3549 for assistance.

Limited Warranty: The item is warranted to be free from defects in material or workmanship for a period of **12** Months. However, we don't reimburse for transportation or delivery costs, or compensate the individual or any outside party for assembling or disassembling the product. This limited warranty is extended to the original purchaser and applies to defects in materials and workmanship of your item, provided the item is maintained with care and used only for personal residential purposes.

Parts List		
Part#	Description	QTY
A	Chair seat	1
B	Chair base	1
C	Seat cushion	1
D	Back cushion	1
E	Lumbar	1
AA	Bolt M8x40	4
BB	Spring Washer M8	4
CC	Flat Washer M8	8
DD	Big washer	4
EE	Nut M8	4
FF	Wrench M6	2

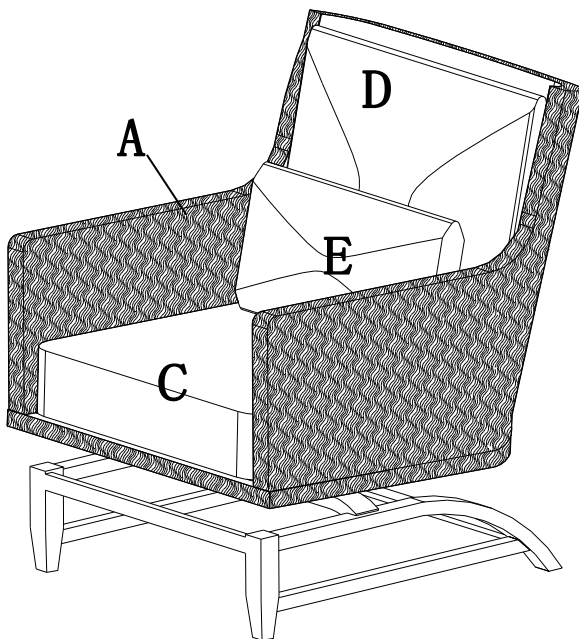


ASSEMBLY STEPS:



Step 1.

Secure Chair seat (A) and Support (B) with Bolt (AA), Spring washer (BB) Flat Washer (CC), Big washer (DD) and Nut (EE). Tighten all bolts.



Step 2:

Place Seat cushion (C), Back cushion (D) and Lumbar (E) on the assembled chair respectively.