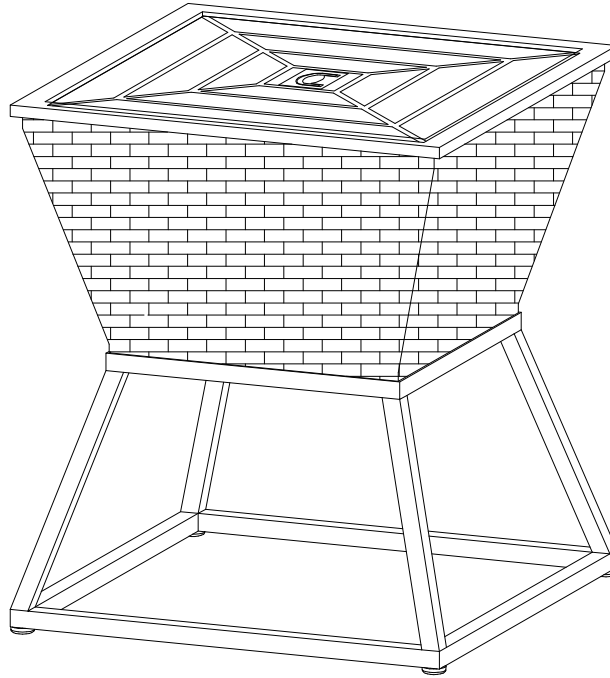


ASSEMBLY IINSTRUCTIONS

L-DN1527SAL Cooler table



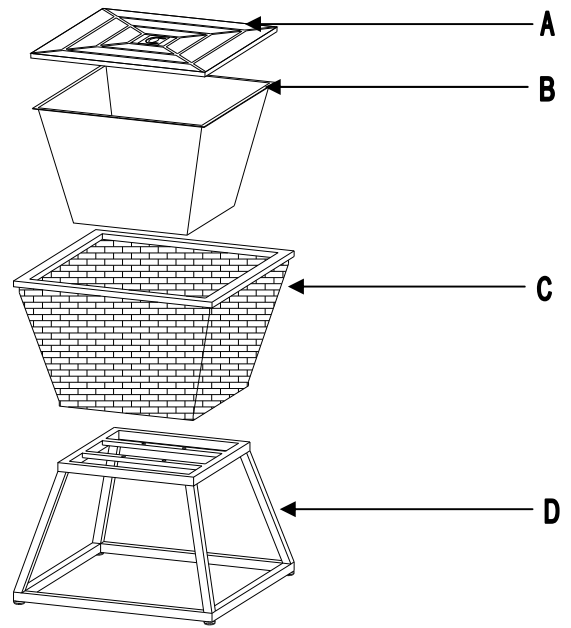
Warning

- Some parts may contain sharp edges. When assembling and using this product, basic safety precautions should always be followed to reduce the risk of personal injury and damage to the product. Please read all instructions before assembly and use.
- Check all bolts for tightness before use, and periodically check and tighten bolts as necessary.

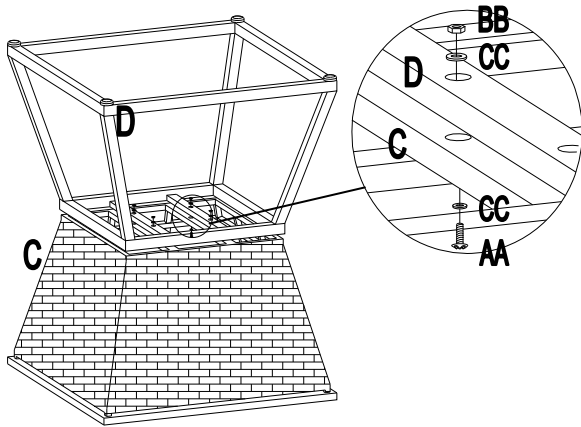
Important: For technical assistance on assembly or replacement parts, please call Sunjoy Industries at 1(866) 578-6569 from 8:00 AM EST to 8:00 PM PST or email to customer.care@sunjoygroup.com or visit www.sunjoyonline.com to place your order or fax your parts replacement order form together with your purchase receipt to 1-740-283-3549 for assistance.

Limited Warranty: The item is warranted to be free from defects in material or workmanship for a period of **12** Months. However, we don't reimburse for transportation or delivery costs, or compensate the individual or any outside party for assembling or disassembling the product. This limited warranty is extended to the original purchaser and applies to defects in materials and workmanship of your item, provided the item is maintained with care and used only for personal residential purposes.

Parts List		
Part#	Description	QTY
A	Lid	1
B	Tub	1
C	Tub exterior	1
D	Stand	1
AA	Screw M6x35	4
BB	Nut M6	4
CC	Washer M6	8
DD	Wrench M6	1
EE	Wrench M6	1

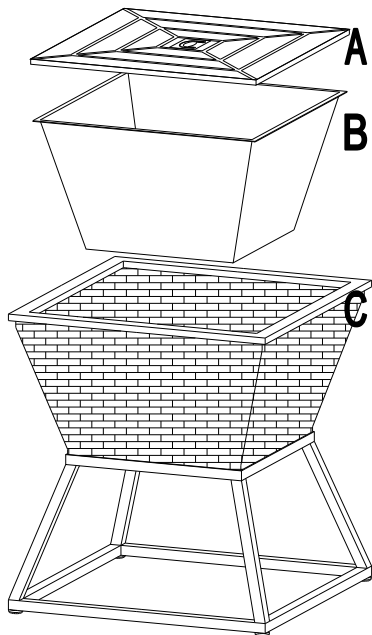


ASSEMBLY STEPS:



Step 1.

Attach Stand (D) and Tub exterior (C) together with Screw (AA), Nut (BB) and Washer (CC).



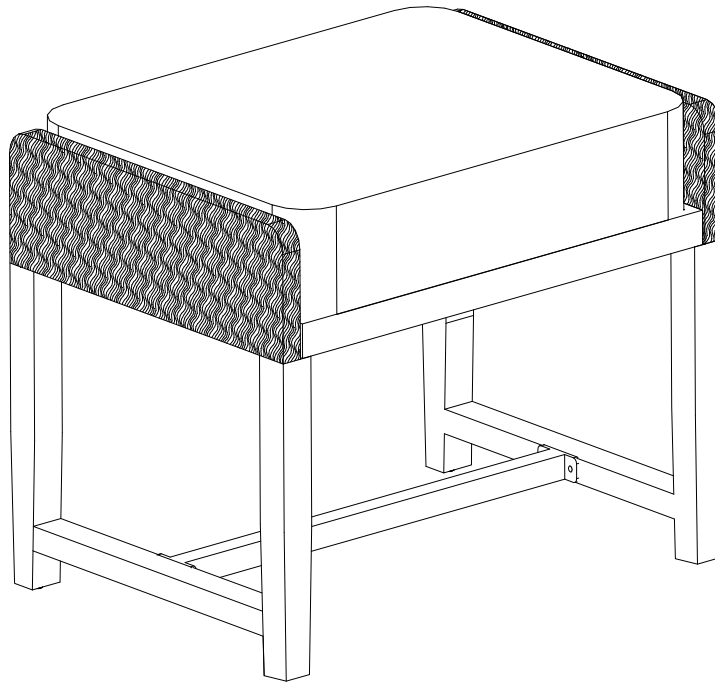
Step 2:

Turn upside the assembled table and place Tub (B) and Lid (A) respectively on.

Now your cooler table is ready.

ASSEMBLY IINSTRUCTIONS

L-DN1527SAL/D-DN1528SAL-B Ottoman



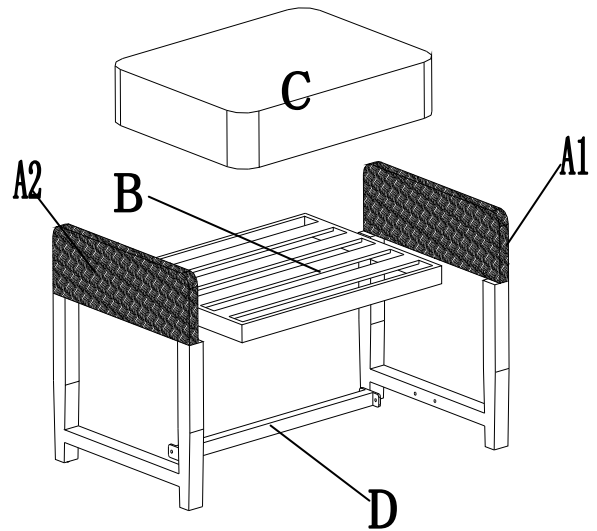
Warning

- Some parts may contain sharp edges. When assembling and using this product, basic safety precautions should always be followed to reduce the risk of personal injury and damage to the product. Please read all instructions before assembly and use.
- Check all bolts for tightness before use, and periodically check and tighten bolts as necessary.

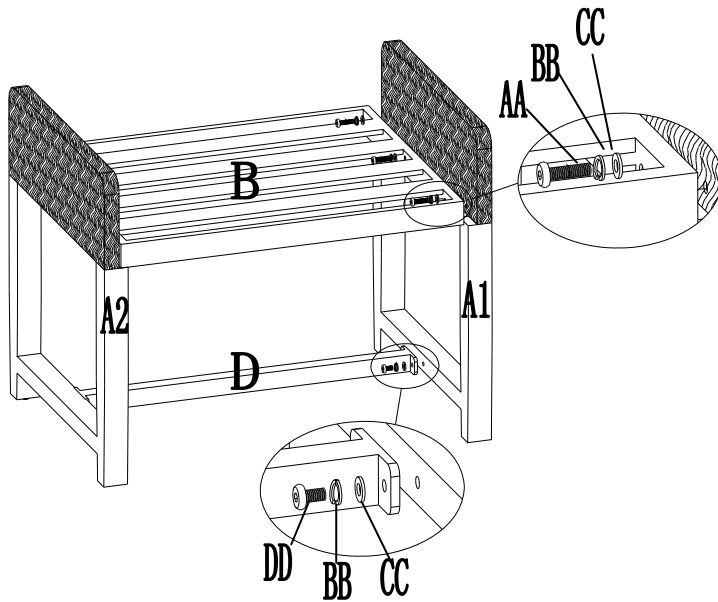
Important: For technical assistance on assembly or replacement parts, please call Sunjoy Industries at 1(866) 578-6569 from 8:00 AM EST to 8:00 PM PST or email to customer.care@sunjoygroup.com or visit www.sunjoyonline.com to place your order or fax your parts replacement order form together with your purchase receipt to 1-740-283-3549 for assistance.

Limited Warranty: The item is warranted to be free from defects in material or workmanship for a period of **12** Months. However, we don't reimburse for transportation or delivery costs, or compensate the individual or any outside party for assembling or disassembling the product. This limited warranty is extended to the original purchaser and applies to defects in materials and workmanship of your item, provided the item is maintained with care and used only for personal residential purposes.

Parts List		
Part#	Description	QTY
A1	Leg 1	1
A2	Leg 2	1
B	Slat panel	1
C	Cushion	1
D	Support tube	1
AA	Bolt M6x37	6
BB	Spring washer M6	10
CC	Flat Washer M6	10
DD	Bolt M6x20	4
EE	Wrench M6	1

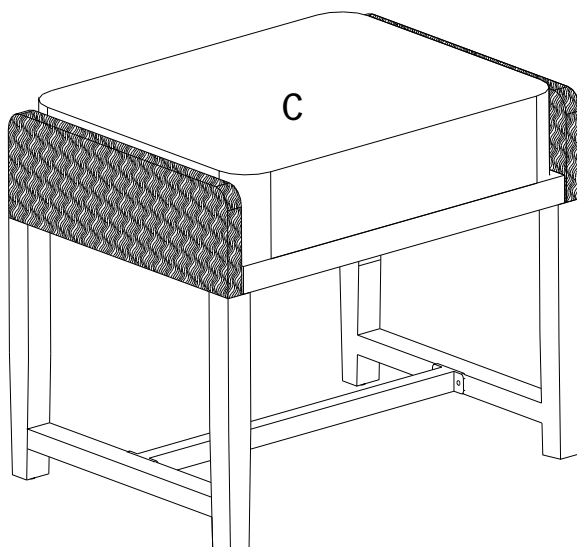


ASSEMBLY STEPS:



Step 1.

Secure Leg 1 (A1) / Leg 2 (A2) and Slat panel (B) with Bolt (AA), Spring washer (BB) and Flat washer (CC), then attach Support tube (D) to Leg 1 (A1) / Leg 2 (A2) with Bolt (DD), Spring washer (BB) and Flat washer (CC) .

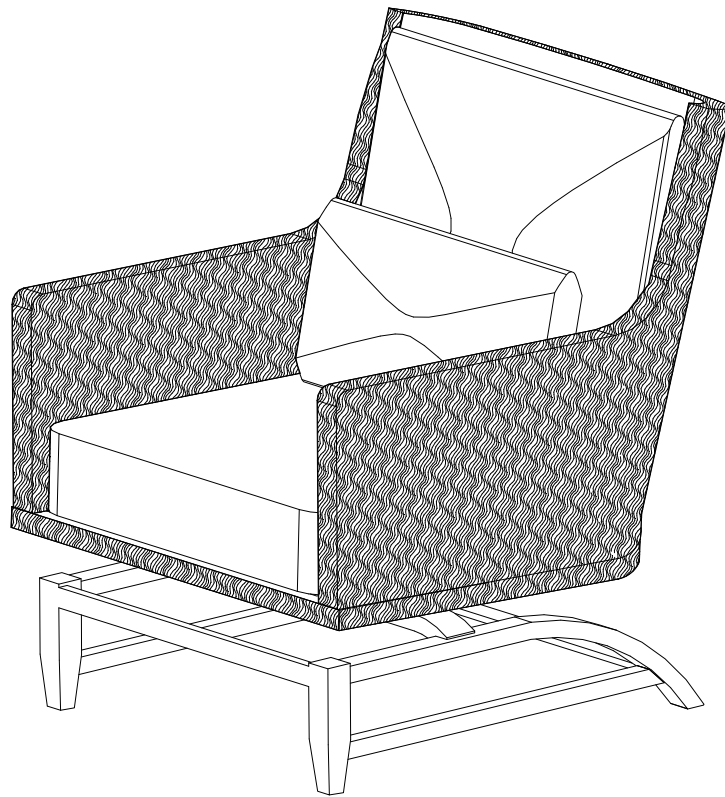


Step 2:

Place Cushion (C) on the assembled table and lock the loop and hook on Slat panel (B).

ASSEMBLY IINSTRUCTIONS

L-DN1527SAL/D-DN1528SAL-B Rocker



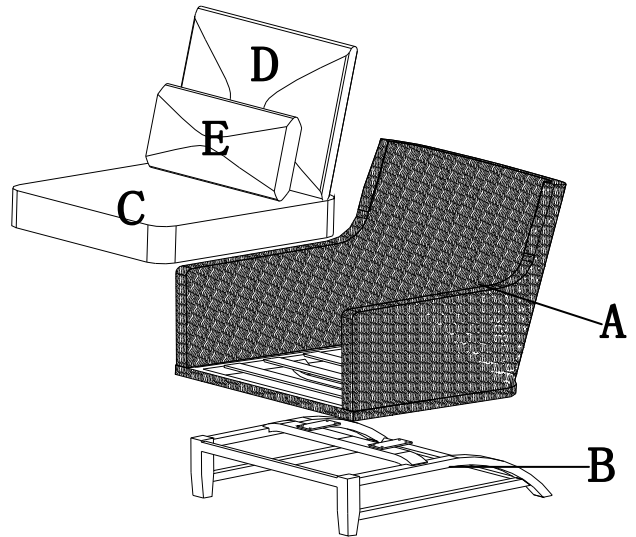
Warning

- Some parts may contain sharp edges. When assembling and using this product, basic safety precautions should always be followed to reduce the risk of personal injury and damage to the product. Please read all instructions before assembly and use.
- Check all bolts for tightness before use, and periodically check and tighten bolts as necessary.

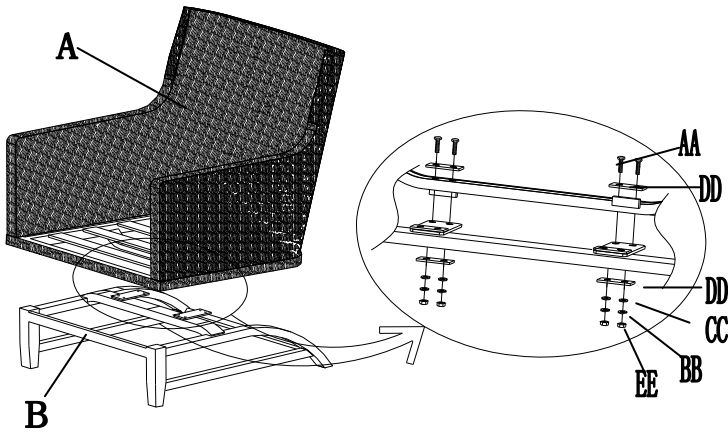
Important: For technical assistance on assembly or replacement parts, please call Sunjoy Industries at 1(866) 578-6569 from 8:00 AM EST to 8:00 PM PST or email to customer.care@sunjoygroup.com or visit www.sunjoyonline.com to place your order or fax your parts replacement order form together with your purchase receipt to 1-740-283-3549 for assistance.

Limited Warranty: The item is warranted to be free from defects in material or workmanship for a period of **12** Months. However, we don't reimburse for transportation or delivery costs, or compensate the individual or any outside party for assembling or disassembling the product. This limited warranty is extended to the original purchaser and applies to defects in materials and workmanship of your item, provided the item is maintained with care and used only for personal residential purposes.

Parts List		
Part#	Description	QTY
A	Chair seat	1
B	Chair base	1
C	Seat cushion	1
D	Back cushion	1
E	Lumbar	1
AA	Bolt M8x40	4
BB	Spring Washer M8	4
CC	Flat Washer M8	8
DD	Big washer	4
EE	Nut M8	4
FF	Wrench M6	2

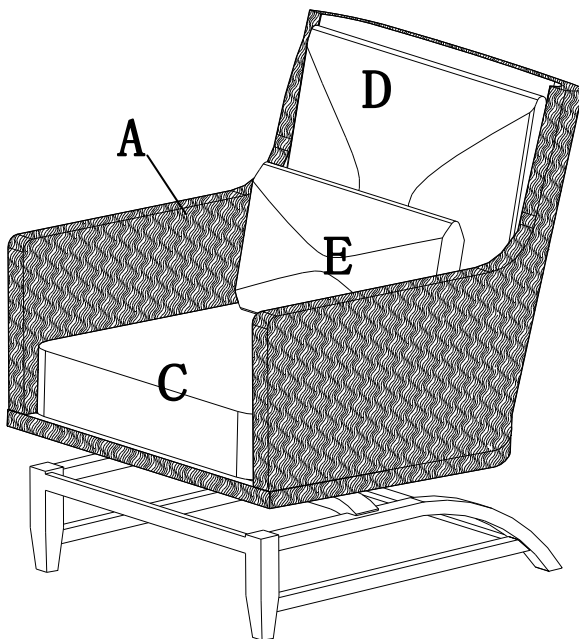


ASSEMBLY STEPS:



Step 1.

Secure Chair seat (A) and Support (B) with Bolt (AA), Spring washer (BB) Flat Washer (CC), Big washer (DD) and Nut (EE). Tighten all bolts.



Step 2:

Place Seat cushion (C), Back cushion (D) and Lumbar (E) on the assembled chair respectively.