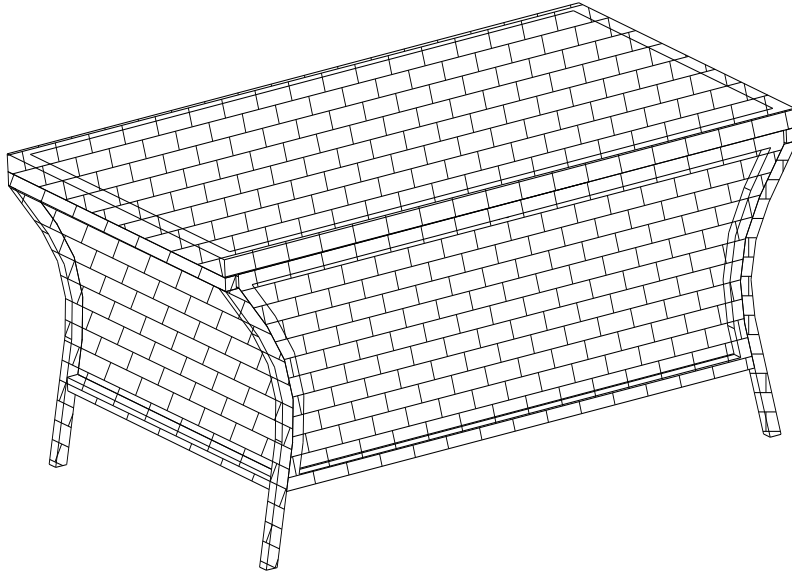


ASSEMBLY INSTRUCTION

ITEM#: S-DN1630SST Coffee Table



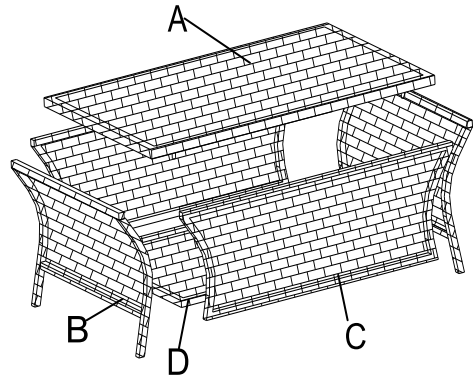
Warning

- Some parts may contain sharp edges. When assembling and using this product, basic safety precautions should always be followed to reduce the risk of personal injury and damage to the product. Please read all instructions before assembly and use.
- Check all bolts for tightness before use, and periodically check and tighten bolts as necessary.

Important: For technical assistance on assembly or replacement parts, please call Sunjoy Industries at 1(866) 578-6569 from 8:00 AM EST to 8:00 PM PST. You may email to customer.care@sunjoygroup.com or visit www.sunjoyonline.com to place your order or fax your parts replacement order form (which is included in the packaging) together with your purchase receipt to 1 (740) 283-3549 for assistance.

PARTS LIST			
Label	Part Number	Description	QTY
A	DN1630XXX07	Table top	1
B	DN1630XXX08	Side panel	2
C	DN1630XXX09	Long panel	2
D	DN1630XXX10	Bottom panel	1

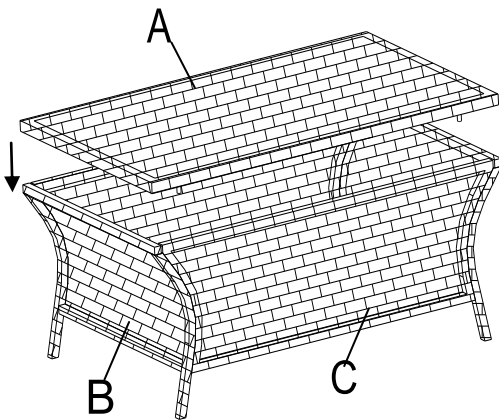
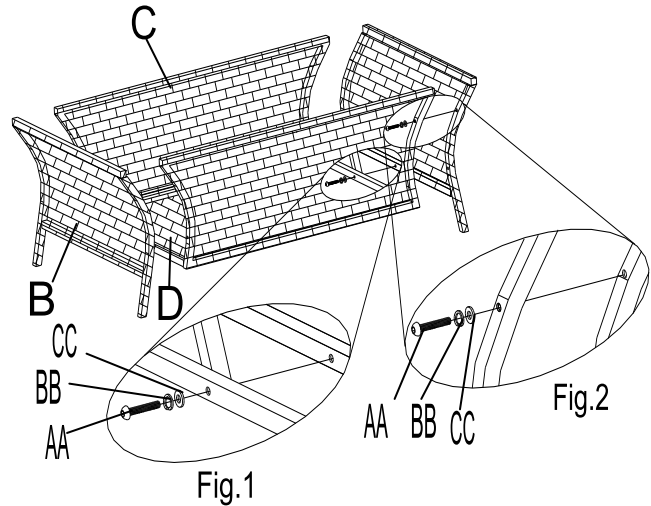
HARDWARE PACK			
Label	Part Number	Description	QTY
AA	YM06030C	Bolt M6x35	12
BB	TD06C	Spring Washer M6	12
CC	VD06C	Flat Washer M6	12
DD	A04D	Wrench M6	1



ASSEMBLY STEPS

Step 1:

Attach Side panel (B), Long panel (C) and Bottom panel (D) together with Bolt (AA), Spring washer (BB) and Flat washer (CC).
DO NOT tighten bolts at this step.



Step 2:

Place Top (A) on the assembled table.

Now your coffee table is ready for use. ENJOY IT!

Care & Maintenance:

- Before using, clean the product completely with a soft dry towel.
- When not in use, wipe free of any dirt or loose objects, wash with a mild solution of soap and water; rinse thoroughly and dry completely. Do not use strong detergent or abrasive cleaners.
- Steel components of garden accessories and furniture are treated with rust inhibiting paint. However, due to the nature of steel, surface oxidation (rusting) will occur if this protective coating is scratched.
- To minimize this condition, it is recommended that care be taken when assembling and handling the product, in order to prevent the paint from being scratched.

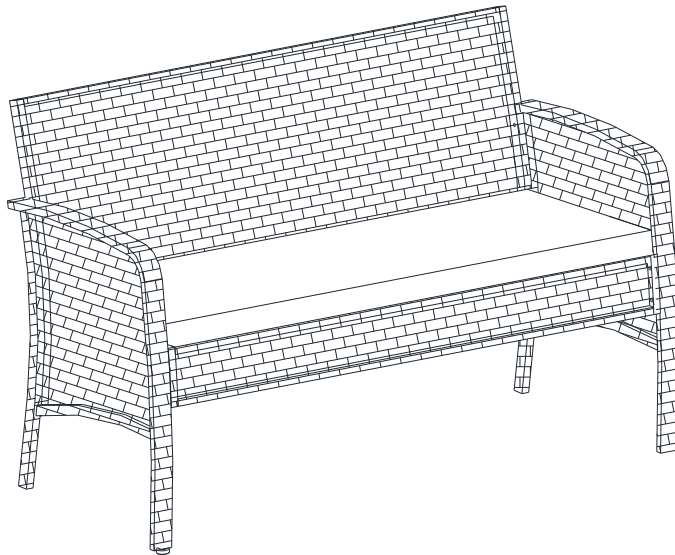
Limited Warranty: The item is warranted to be free from defects in material or workmanship for a period of twelve (12) months. However, we do not reimburse for transportation or delivery costs, nor compensate the individual or any outside party for assembling or disassembling the product. This limited warranty is extended to the original purchaser and applies to defects in materials and workmanship of your item, provided the item is maintained with care and used only for personal residential purposes.

Exclusions

Items used for commercial, contract, or other non-residential purposes, or items damaged due to acts of nature, vandalism, misuse, or improper assembly are not covered. Corrosion or rusting of hardware is not covered. Proof of purchase (dated register receipt) is required for warranty claims. Warranty is to the original purchaser and is non-transferable. Any replacement of warranted items will be in the original style and color or a similar style and color if the original is unavailable or has been discontinued. As some states do not allow exclusions or limitations on an implied warranty, the above exclusions and limitations may not apply. This warranty gives you specific rights, and you may also have other rights, which vary from state to state.

ASSEMBLY INTRUCTION

ITEM#: S-DN1630SST Loveseat



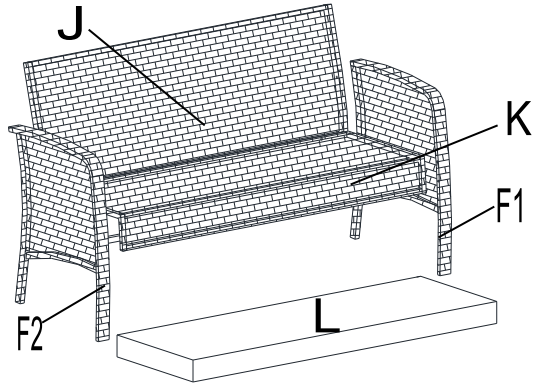
Warning

- Some parts may contain sharp edges. When assembling and using this product, basic safety precautions should always be followed to reduce the risk of personal injury and damage to the product. Please read all instructions before assembly and use.
- Check all bolts for tightness before use, and periodically check and tighten bolts as necessary.

Important: For technical assistance on assembly or replacement parts, please call Sunjoy Industries at 1(866) 578-6569 from 8:00 AM EST to 8:00 PM PST. You may email to customer.care@sunjoygroup.com or visit www.sunjoyonline.com to place your order or fax your parts replacement order form (which is included in the packaging) together with your purchase receipt to 1 (740) 283-3549 for assistance.

PARTS LIST			
Label	Part Number	Description	QTY
J	DN1630XXX11	Back	1
F1	DN1630XXX02	Right Chair Arm	1
F2	DN1630XXX03	Left Chair Arm	1
K	DN1630XXX12	Seat	1
L	DN1630XXX13	Cushion	1

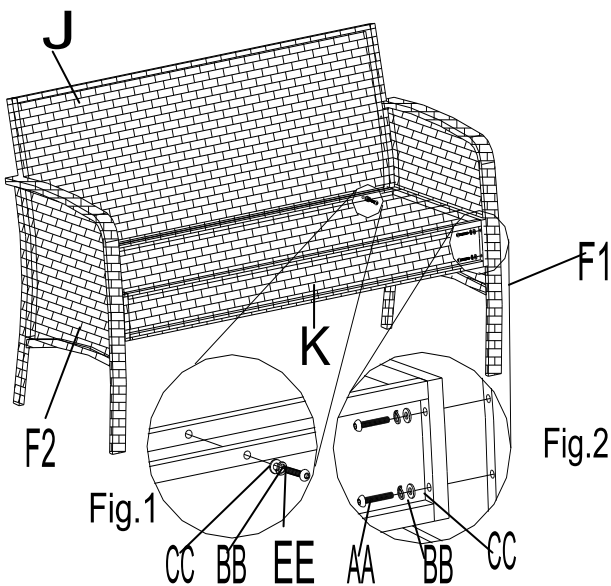
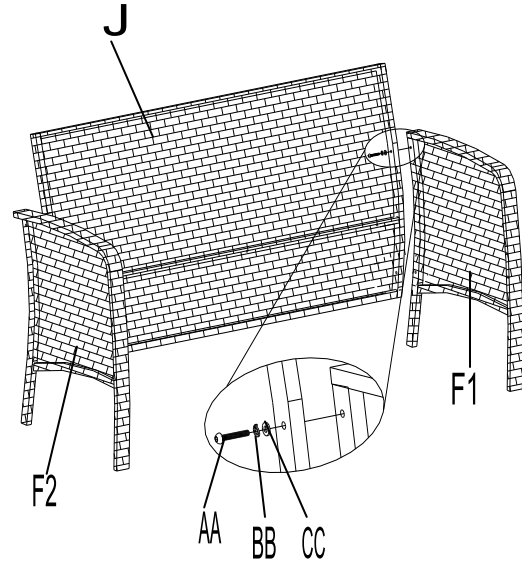
HARDWARE PACK			
Label	Part Number	Description	QTY
AA	YM06035C	Bolt M6x35	8
BB	TD06C	Spring Washer M6	11
CC	VD06C	Flat Washer M6	11
DD	A04D	Wrench M6	1
EE	YM06040C	Bolt M6x40	3



ASSEMBLY STEPS

Step 1:

Connect Back (J) to Chair Arm (F1/F2) using Bolt (AA), Spring washer (BB) and Flat washer (CC). DO NOT tighten bolts at this step.

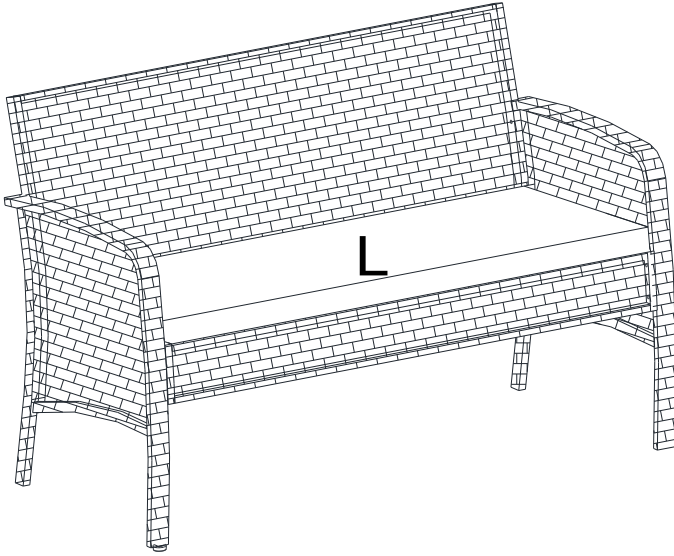


Step 2:

Attach Back (J) and Seat (K) together with Bolt (EE), Spring washer (BB) and Flat washer (CC). (Fig.1). DO NOT tighten bolts here.

Attach Chair Arm (F1/F2) and Seat (K) together with Bolt (AA), Spring washer (BB) and Flat washer (CC). (Fig.2).

Tighten all bolts with Wrench (DD) now.



Step 3:

Put Cushion (L) on the assembled chair.

Care & Maintenance:

- Before using, clean the product completely with a soft dry towel.
- When not in use, wipe free of any dirt or loose objects, wash with a mild solution of soap and water; rinse thoroughly and dry completely. Do not use strong detergent or abrasive cleaners.
- Steel components of garden accessories and furniture are treated with rust inhibiting paint. However, due to the nature of steel, surface oxidation (rusting) will occur if this protective coating is scratched.
- To minimize this condition, it is recommended that care be taken when assembling and handling the product, in order to prevent the paint from being scratched.

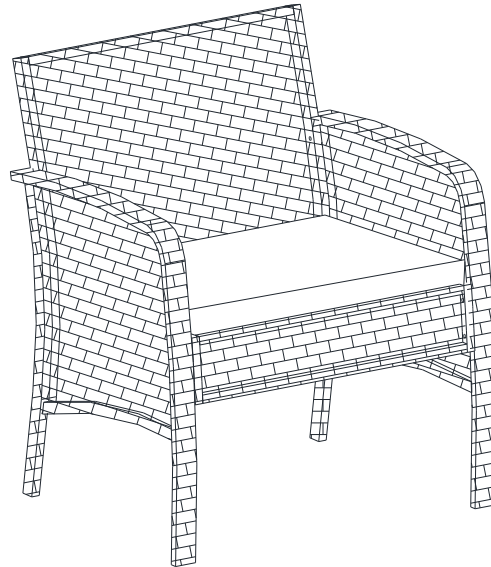
Limited Warranty: The item is warranted to be free from defects in material or workmanship for a period of twelve (12) months. However, we do not reimburse for transportation or delivery costs, nor compensate the individual or any outside party for assembling or disassembling the product. This limited warranty is extended to the original purchaser and applies to defects in materials and workmanship of your item, provided the item is maintained with care and used only for personal residential purposes.

Exclusions

Items used for commercial, contract, or other non-residential purposes, or items damaged due to acts of nature, vandalism, misuse, or improper assembly are not covered. Corrosion or rusting of hardware is not covered. Proof of purchase (dated register receipt) is required for warranty claims. Warranty is to the original purchaser and is non-transferable. Any replacement of warranted items will be in the original style and color or a similar style and color if the original is unavailable or has been discontinued. As some states do not allow exclusions or limitations on an implied warranty, the above exclusions and limitations may not apply. This warranty gives you specific rights, and you may also have other rights, which vary from state to state.

ASSEMBLY INTRUCTION

ITEM#: S-DN1630SST Club Chair



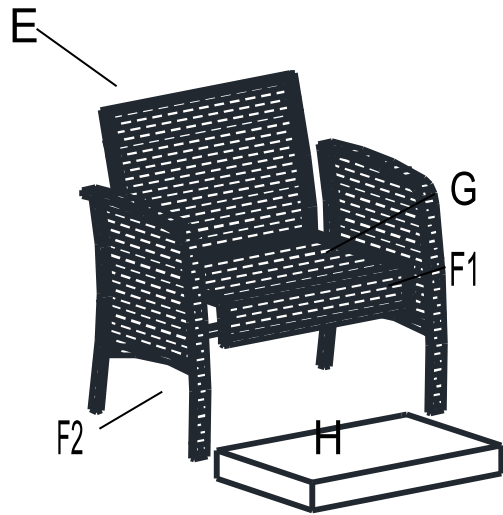
Warning

- Some parts may contain sharp edges. When assembling and using this product, basic safety precautions should always be followed to reduce the risk of personal injury and damage to the product. Please read all instructions before assembly and use.
- Check all bolts for tightness before use, and periodically check and tighten bolts as necessary.

Important: For technical assistance on assembly or replacement parts, please call Sunjoy Industries at 1(866) 578-6569 from 8:00 AM EST to 8:00 PM PST. You may email to customer.care@sunjoygroup.com or visit www.sunjoyonline.com to place your order or fax your parts replacement order form (which is included in the packaging) together with your purchase receipt to 1 (740) 283-3549 for assistance.

PARTS LIST			
Label	Part Number	Description	QTY
E	DN1630XXX01	Back	1
F1	DN1630XXX02	Right Chair Arm	1
F2	DN1630XXX03	Left Chair Arm	1
G	DN1630XXX04	Seat	1
H	DN1630XXX05	Cushion	1

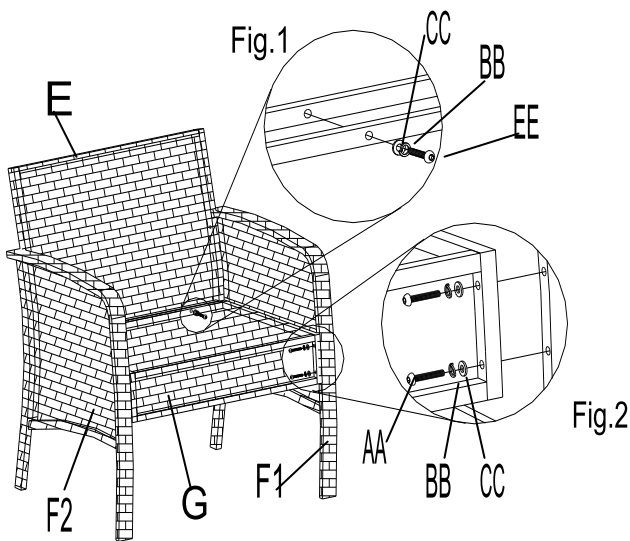
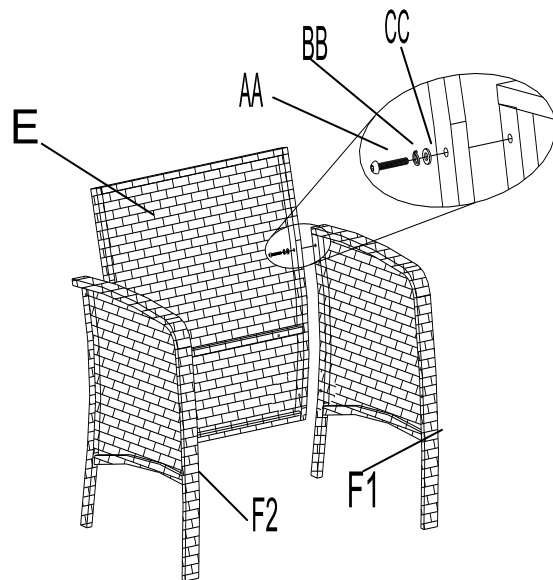
HARDWARE PACK			
Label	Part Number	Description	QTY
AA	YM06035C	Bolt M6x35	8
BB	TD06C	Spring Washer M6	10
CC	VD06C	Flat Washer M6	10
DD	A04D	Wrench M6	1
EE	YM06040C	Bolt M6x40	2



ASSEMBLY STEPS

Step 1:

Attach Chair back (E) and Chair arm (F1/F2) together with Bolt (AA), Spring washer (BB) and Flat washer (CC). DO NOT tighten them at this step.

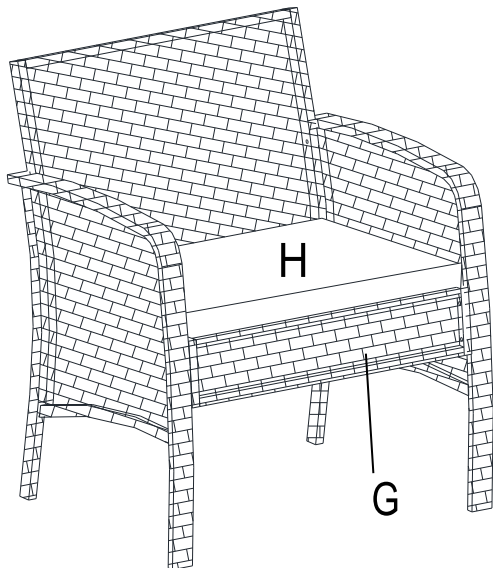


Step 2:

Attach Back (E) and Seat (G) together with Bolt (EE), Spring washer (BB) and Flat washer (CC). (Fig.1). DO NOT tighten bolts here.

Attach Chair Arm (F1/F2) and Seat (G) together with Bolt (AA), Spring washer (BB) and Flat washer (CC). (Fig.2).

Tighten all bolts with Wrench (DD) now.



Step 3:

Put Cushion (H) on the assembled chair.

Care & Maintenance:

- Before using, clean the product completely with a soft dry towel.
- When not in use, wipe free of any dirt or loose objects, wash with a mild solution of soap and water; rinse thoroughly and dry completely. Do not use strong detergent or abrasive cleaners.
- Steel components of garden accessories and furniture are treated with rust inhibiting paint. However, due to the nature of steel, surface oxidation (rusting) will occur if this protective coating is scratched.
- To minimize this condition, it is recommended that care be taken when assembling and handling the product, in order to prevent the paint from being scratched.

Limited Warranty: The item is warranted to be free from defects in material or workmanship for a period of twelve (12) months. However, we do not reimburse for transportation or delivery costs, nor compensate the individual or any outside party for assembling or disassembling the product. This limited warranty is extended to the original purchaser and applies to defects in materials and workmanship of your item, provided the item is maintained with care and used only for personal residential purposes.

Exclusions

Items used for commercial, contract, or other non-residential purposes, or items damaged due to acts of nature, vandalism, misuse, or improper assembly are not covered. Corrosion or rusting of hardware is not covered. Proof of purchase (dated register receipt) is required for warranty claims. Warranty is to the original purchaser and is non-transferable. Any replacement of warranted items will be in the original style and color or a similar style and color if the original is unavailable or has been discontinued. As some states do not allow exclusions or limitations on an implied warranty, the above exclusions and limitations may not apply. This warranty gives you specific rights, and you may also have other rights, which vary from state to state.