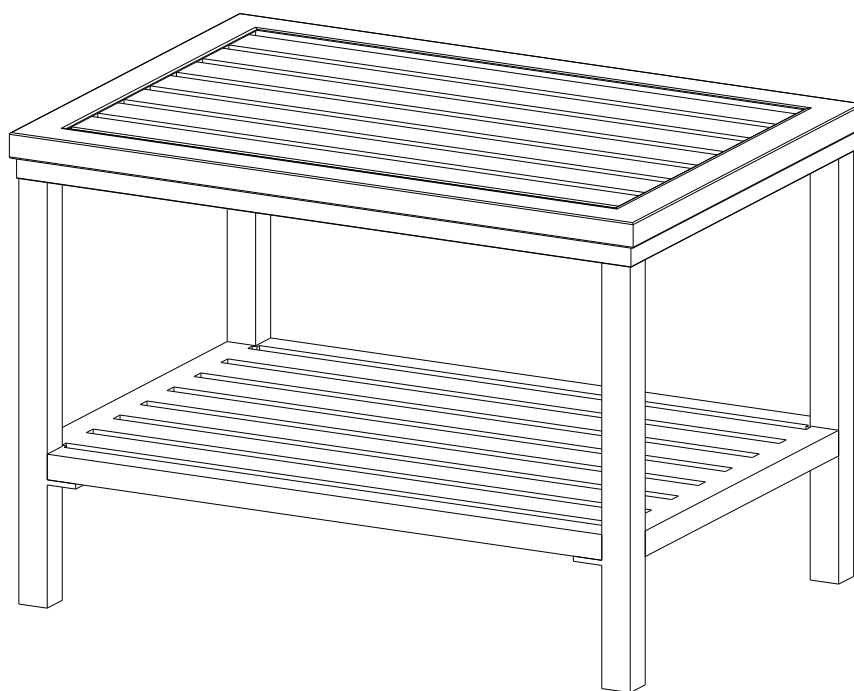


# ASSEMBLY INTRUCTION

## ITEM#: L-DN522SAL-CT Coffee Table

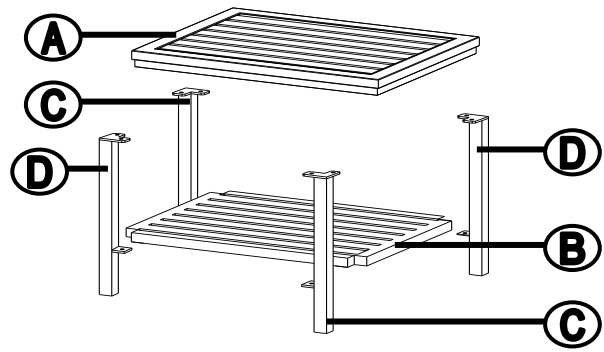


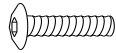




### **Warning**

- Some parts may contain sharp edges. When assembling and using this product, basic safety precautions should always be followed to reduce the risk of personal injury and damage to the product. Please read all instructions before assembly and use.
- Check all bolts for tightness before use, and periodically check and tighten bolts as necessary.

**Important:** For technical assistance on assembly or replacement parts, please call Sunjoy Industries at 1(866) 578-6569 from 8:00 AM EST to 8:00 PM PST. You may email to [customer.care@sunjoygroup.com](mailto:customer.care@sunjoygroup.com) or visit [www.sunjoyonline.com](http://www.sunjoyonline.com) to place your order or fax your parts replacement order form (which is included in the packaging) together with your purchase receipt to 1 (740) 283-3549 for assistance.

PARTS LIST			
Label	Part Number	DESCRIPTION	QTY
A	DN0522XCT01	Table top	1
B	DN0522XCT02	Shelf	1
C	DN0522XCT03	Leg 1	2
D	DN0522XCT04	Leg 2	2



HARDWARE PACK				
Label	Part Number	Description	QTY	Image of Part
H1	YM06015C	M6 x 15 bolt	12	
H2	TD06C	M6 spring washer	12	
H3	VD06C	M6 washer	12	
H4	JM06010WJ2	Foot pad (preassembled)	4	
H5	A04D	M6 wrench	1	

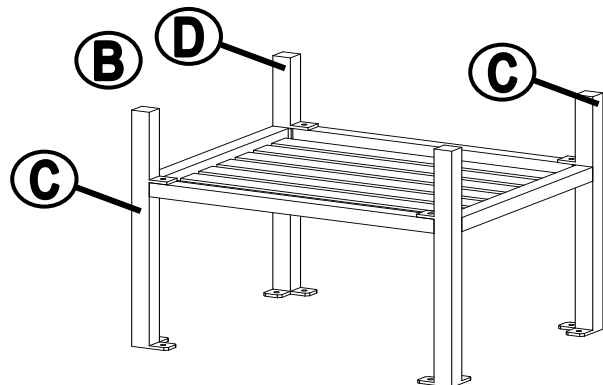
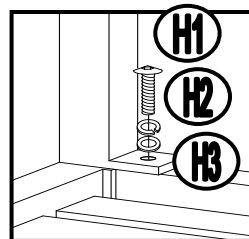
## ASSEMBLY STEPS

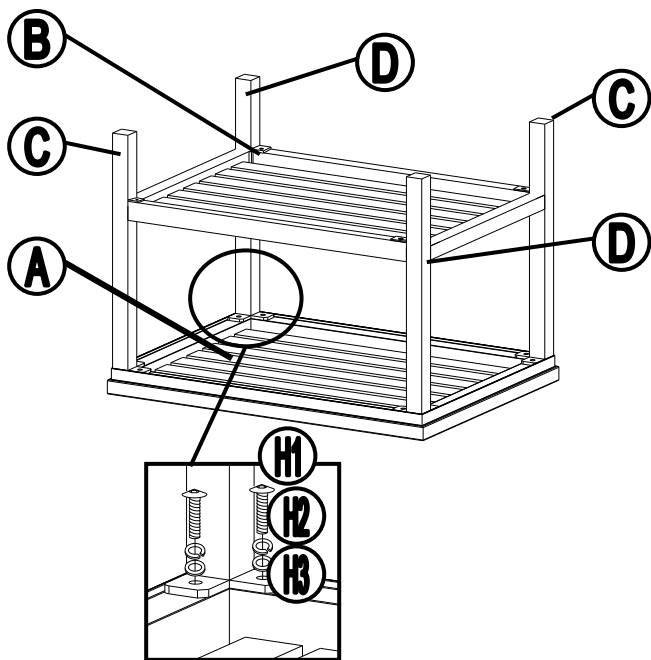
### Step 1:

Attach Shelf (B) and Leg (C) with Bolt (H1), Spring washer (H2) and Flat washer (H3).

Repeat the same step to Shelf (B) and Leg (D)

Do not tighten them at this step.





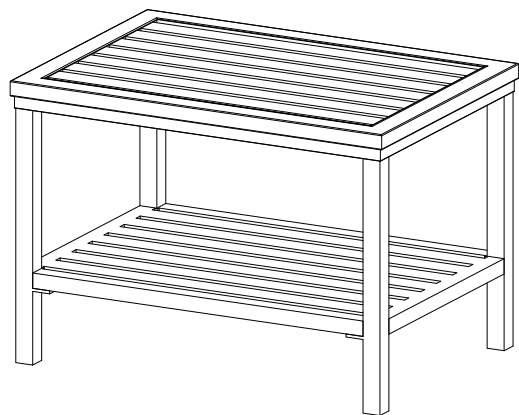
### Step 2

Put Table top (A) on the ground with the face facing down. Attach it and the above assembled legs with Bolt (H1), Spring washer (H2) and Flat washer (H3). Tighten all bolts here.

### Step3:

Turn over the table.

Now your coffee table is ready for use.



### Care & Maintenance:

- Before using, clean the product completely with a soft dry towel.
- When not in use, wipe free of any dirt or loose objects, wash with a mild solution of soap and water; rinse thoroughly and dry completely. Do not use strong detergent or abrasive cleaners.
- Steel components of garden accessories and furniture are treated with rust inhibiting paint. However, due to the nature of steel, surface oxidation (rusting) will occur if this protective coating is scratched.
- To minimize this condition, it is recommended that care be taken when assembling and handling the product, in order to prevent the paint from being scratched.

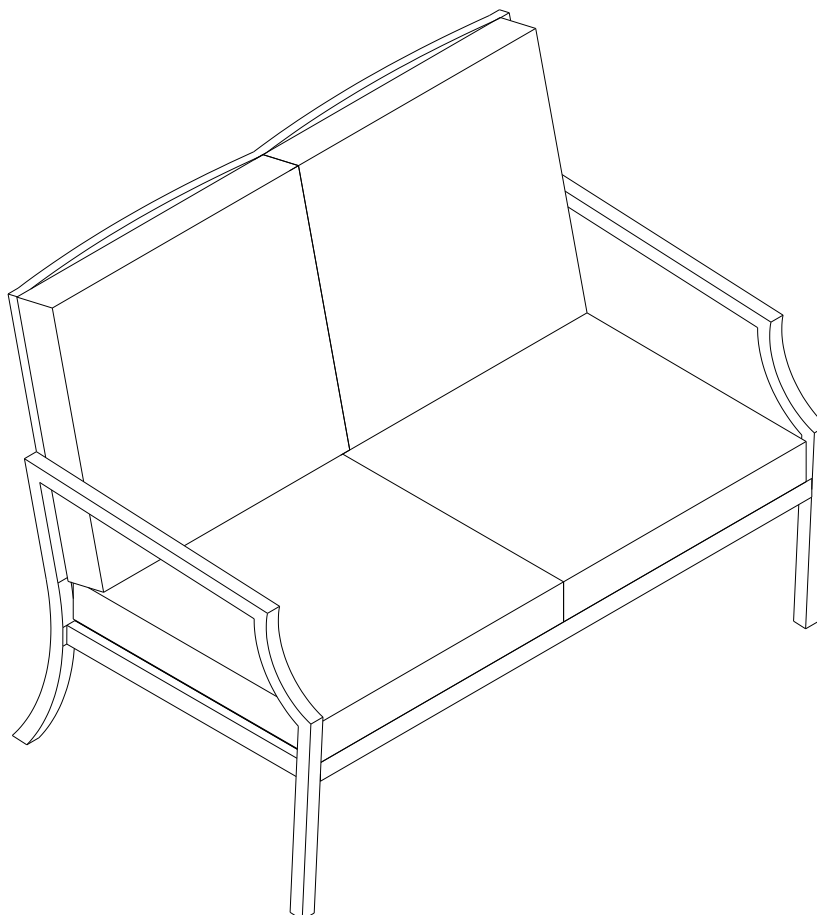
**Limited Warranty:** The item is warranted to be free from defects in material or workmanship for a period of twelve (12) months. However, we do not reimburse for transportation or delivery costs, nor compensate the individual or any outside party for assembling or disassembling the product. This limited warranty is extended to the original purchaser and applies to defects in materials and workmanship of your item, provided the item is maintained with care and used only for personal residential purposes.

### Exclusions

Items used for commercial, contract, or other non-residential purposes, or items damaged due to acts of nature, vandalism, misuse, or improper assembly are not covered. Corrosion or rusting of hardware is not covered. Proof of purchase (dated register receipt) is required for warranty claims. Warranty is to the original purchaser and is non-transferable. Any replacement of warranted items will be in the original style and color or a similar style and color if the original is unavailable or has been discontinued. As some states do not allow exclusions or limitations on an implied warranty, the above exclusions and limitations may not apply. This warranty gives you specific rights, and you may also have other rights, which vary from state to state.

# ASSEMBLY INSTRUCTION

## ITEM#: L-DN522SAL-A Loveseat

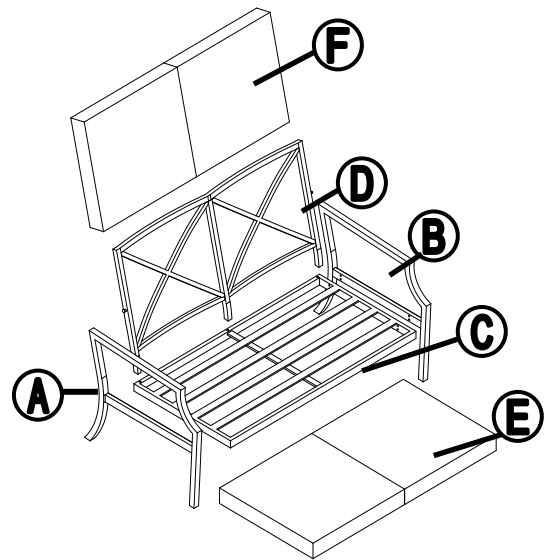


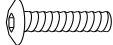
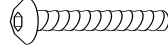




### **Warning**

- Some parts may contain sharp edges. When assembling and using this product, basic safety precautions should always be followed to reduce the risk of personal injury and damage to the product. Please read all instructions before assembly and use.
- Check all bolts for tightness before use, and periodically check and tighten bolts as necessary.

**Important:** For technical assistance on assembly or replacement parts, please call Sunjoy Industries at 1(866) 578-6569 from 8:00 AM EST to 8:00 PM PST. You may email to [customer.care@sunjoygroup.com](mailto:customer.care@sunjoygroup.com) or visit [www.sunjoyonline.com](http://www.sunjoyonline.com) to place your order or fax your parts replacement order form (which is included in the packaging) together with your purchase receipt to 1 (740) 283-3549 for assistance.

PARTS LIST			
Label	Part Number	DESCRIPTION	QTY
A	DN0522XXA01	Left armrest	1
B	DN0522XXA02	Right armrest	1
C	DN0522XXA03	Seat panel	1
D	DN0522XXA04	Chair back	1
E	DN0522XXA05	Seat cushion	2
F	DN0522XXA06	Back cushion	2

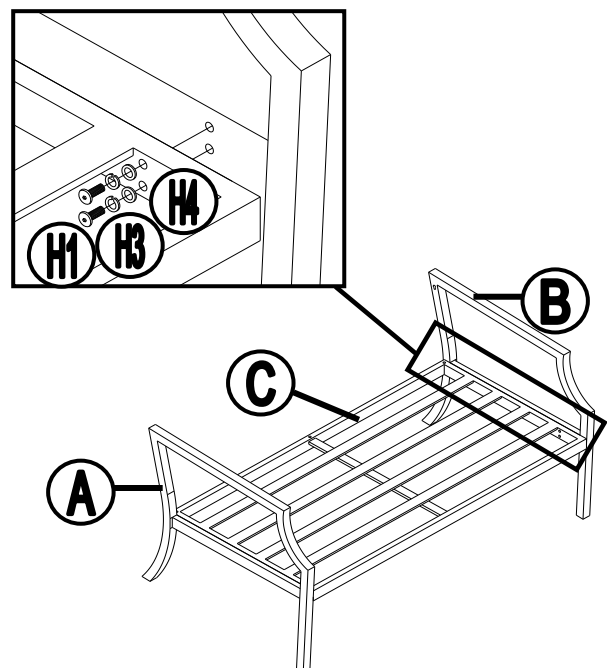


HARDWARE PACK				
Label	Part Number	Description	QTY	Image of Part
H1	YM06035C	Bolt M6x35	10	
H2	YM06060C	Bolt M6x60	3	
H3	TD06C	Sprint washer M6	13	
H4	VD06C	Washer M6	13	
H5	A04D	Wrench M6	1	
H6	QJ15W	Foot pad (preassembled)	4	

## ASSEMBLY STEPS

### Step 1:

Attach Left armrest (A), Right armrest (B) to Seat panel (C) by using Bolt (H1), Spring washer (H3) and Flat washer (H4). Do not fully tighten at this step.

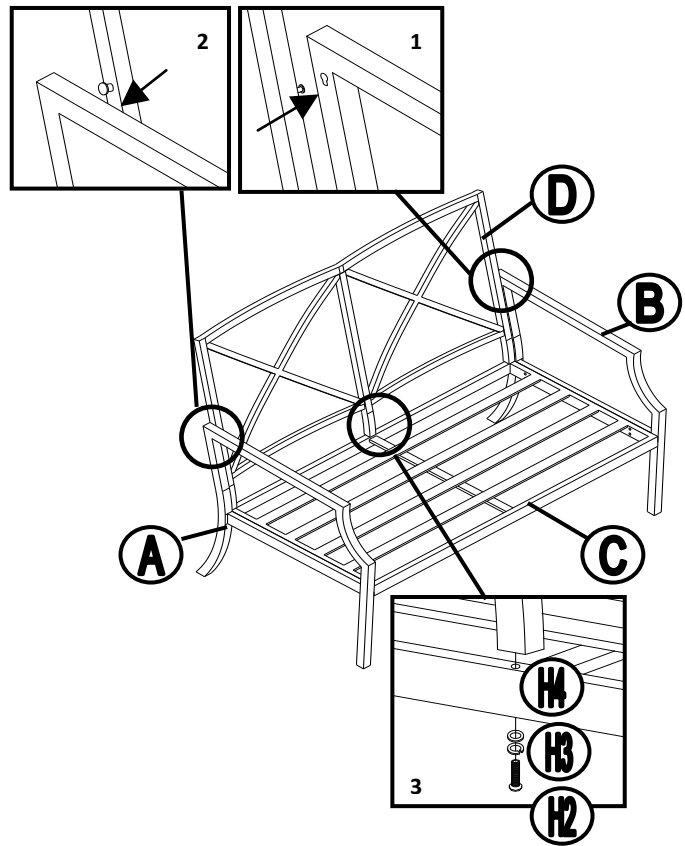


**Step 2:**

Insert the right pin on Chair back (D) into the hole at Right armrest (B). (Fig.1);

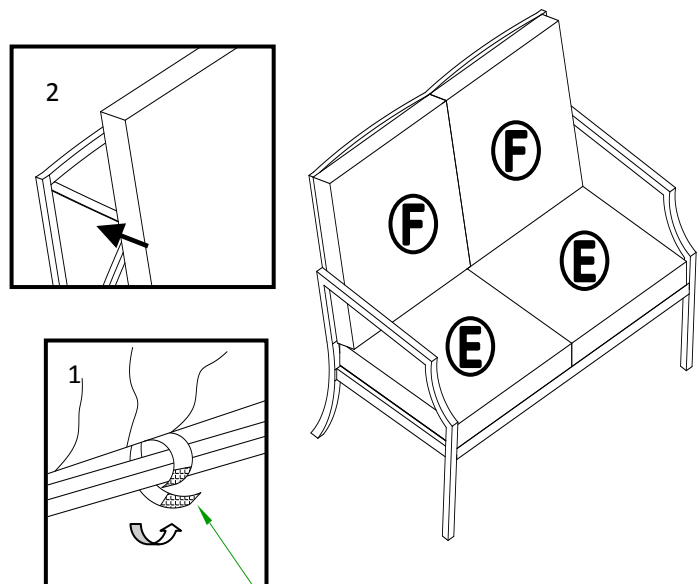
Do the same step for Left armrest (A). (Fig.2).

Attach Chair back (D) and Seat panel (C) together with Bolt (H2), Sprint washer (H3 and Flat washer (H4). Tighten all bolts here.



**Step 3:**

Place Seat cushion (E), Back cushion (F) on the assembled chair. Secure them to Chair with Velcro at the cushions (Fig.1).



## **Care & Maintenance:**

- Before using, clean the product completely with a soft dry towel.
- When not in use, wipe free of any dirt or loose objects, wash with a mild solution of soap and water; rinse thoroughly and dry completely. Do not use strong detergent or abrasive cleaners.
- Steel components of garden accessories and furniture are treated with rust inhibiting paint. However, due to the nature of steel, surface oxidation (rusting) will occur if this protective coating is scratched.
- To minimize this condition, it is recommended that care be taken when assembling and handling the product, in order to prevent the paint from being scratched.

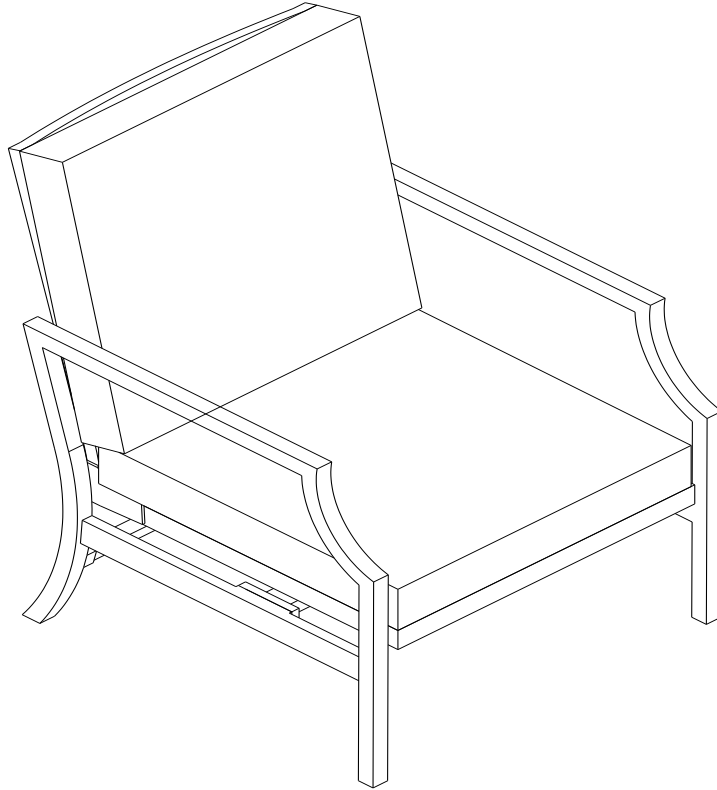
**Limited Warranty:** The item is warranted to be free from defects in material or workmanship for a period of twelve (12) months. However, we do not reimburse for transportation or delivery costs, nor compensate the individual or any outside party for assembling or disassembling the product. This limited warranty is extended to the original purchaser and applies to defects in materials and workmanship of your item, provided the item is maintained with care and used only for personal residential purposes.

## **Exclusions**

Items used for commercial, contract, or other non-residential purposes, or items damaged due to acts of nature, vandalism, misuse, or improper assembly are not covered. Corrosion or rusting of hardware is not covered. Proof of purchase (dated register receipt) is required for warranty claims. Warranty is to the original purchaser and is non-transferable. Any replacement of warranted items will be in the original style and color or a similar style and color if the original is unavailable or has been discontinued. As some states do not allow exclusions or limitations on an implied warranty, the above exclusions and limitations may not apply. This warranty gives you specific rights, and you may also have other rights, which vary from state to state.

# ASSEMBLY INTRUCTION

## ITEM#: L-DN552SAL-A Motion chair



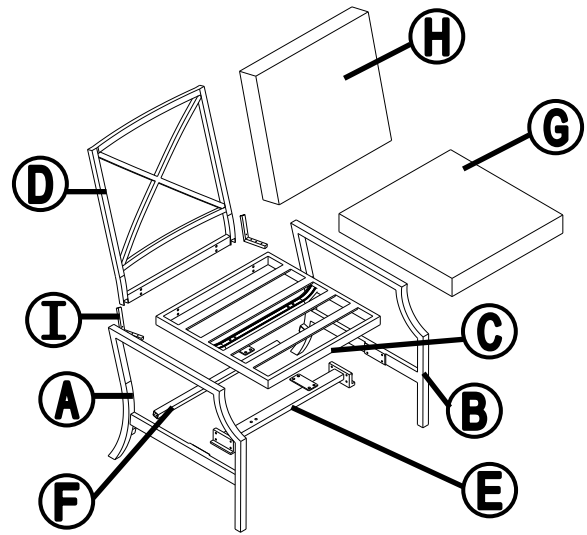
### **Warning**

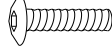








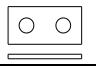


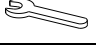
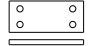
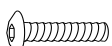
- Some parts may contain sharp edges. When assembling and using this product, basic safety precautions should always be followed to reduce the risk of personal injury and damage to the product. Please read all instructions before assembly and use.
- Check all bolts for tightness before use, and periodically check and tighten bolts as necessary.

**Important:** For technical assistance on assembly or replacement parts, please call Sunjoy Industries at 1(866) 578-6569 from 8:00 AM EST to 8:00 PM PST. You may email to [customer.care@sunjoygroup.com](mailto:customer.care@sunjoygroup.com) or visit [www.sunjoyonline.com](http://www.sunjoyonline.com) to place your order or fax your parts replacement order form (which is included in the packaging) together with your purchase receipt to 1 (740) 283-3549 for assistance.



PARTS LIST			
Label	Part Number	DESCRIPTION	QTY
A	DN0522XXA07	Left armrest	1
B	DN0522XXA08	Right armrest	1
C	DN0522XXA09	Seat panel	1
D	DN0522XXA10	Back frame	1
E	DN0522XXA11	Middle bar	1
F	DN0522XXA12	Rear bar	1
G	DN0522XXA13	Seat cushion	1
H	DN0522XXA14	Back cushion	1
I	DN0522XXA15	Connector	2

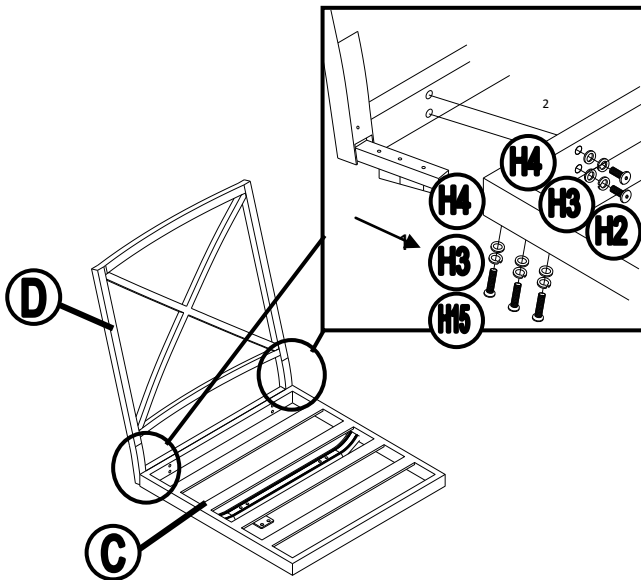
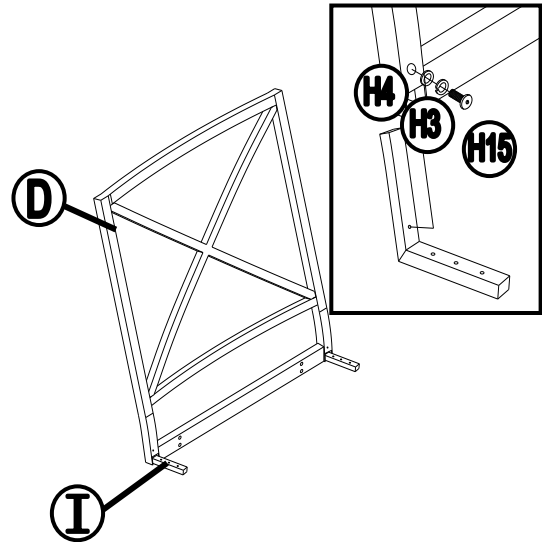


HARDWARE PACK				
Label	Part Number	Description	QTY	Image of Part
H1	YM06020C	Bolt M6x20	8	
H2	YM06030C	Bolt M6x30	4	
H3	TD06C	Spring washer M6	22	
H4	VD06C	Washer M6	22	
H5	BM08035C	Bolt M8x35 (2 preassembled)	4	
H6	BM08040C	Bolt M8x40 (2 preassembled)	4	
H7	VD08C	Flat washer M8(4 preassembled)	8	
H8	TD08C	Spring washer M8 (4 preassembled)	8	
H9	LM08C	Nut M8 (4pcs preassembled)	8	
H10	DP5025C	Iron piece M8 (4 preassembled)	8	
H11	QJ15W	Food pad (preassembled)	4	
H12	A04D	Allen Key M6	1	
H13	W13D	Wrench M8	2	
H14	TH12050C	Fiber board (preassembled)	2	
H15	YM06015C	Bolt M6x15	10	

## ASSEMBLY STEPS

### Step 1:

Inset Connector (I) into Back panel (D) and secure them with Bolt (H15), Spring washer (H3) and Flat washer (H4), do not tighten them at this step. Repeat the same step to the other side.



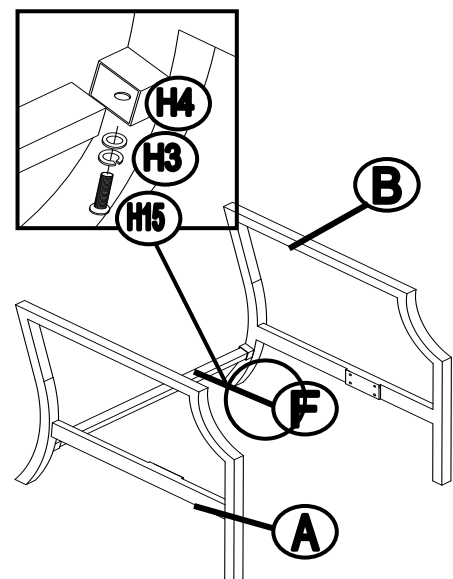
### Step 2:

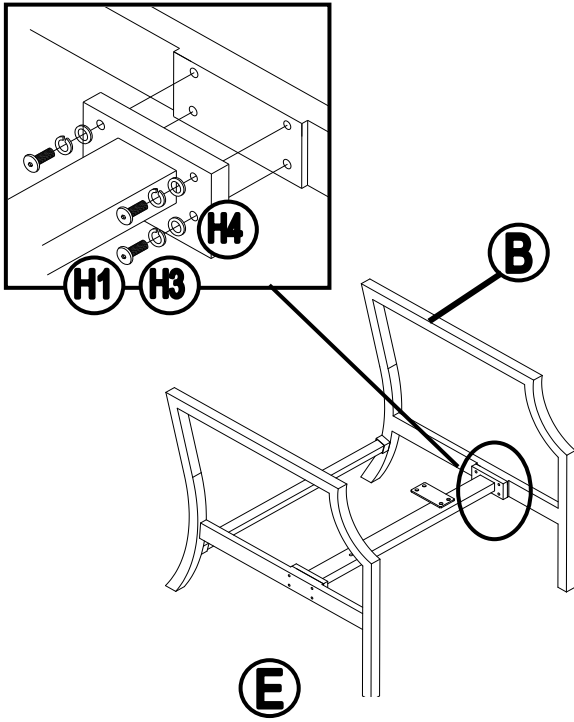
Inset the other end of Connector (I) into Seat panel (C) and secure them with Bolt (H15), Spring washer (H3) and Flat washer (H4), do not tighten them at this step.

Secure Chair back (D) and Seat panel (C) with Bolt (H2), Spring washer (H3) and Flat washer (H4). Tighten all bolts here.

### Step 3:

Attach Rear bar (F) to Left armrest (B) with Bolt (H15), Spring washer (H3) and Flat washer (H4), do not over tighten. Repeat the same step to Rear bar (F) and Right armrest (A), do not over tighten.





**Step 4:**

Attach Middle bar (E) to Left armrest (A) with Bolt (H1), Spring washer (H3) and Flat washer (H4).

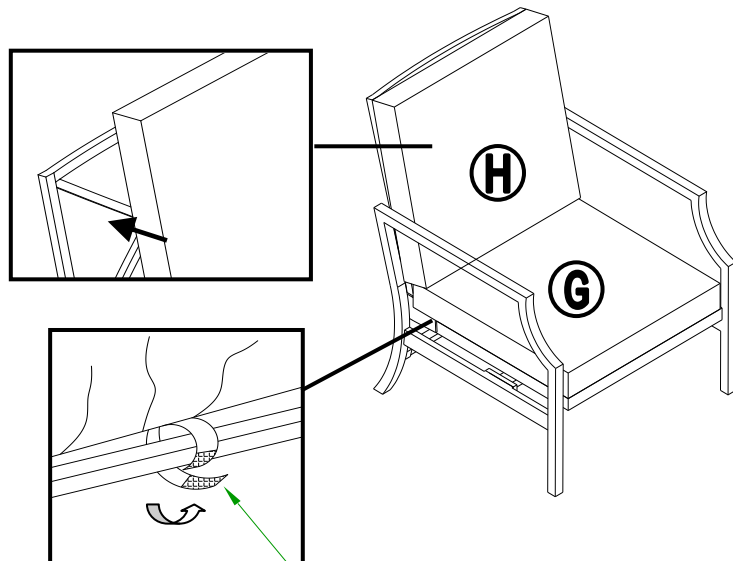
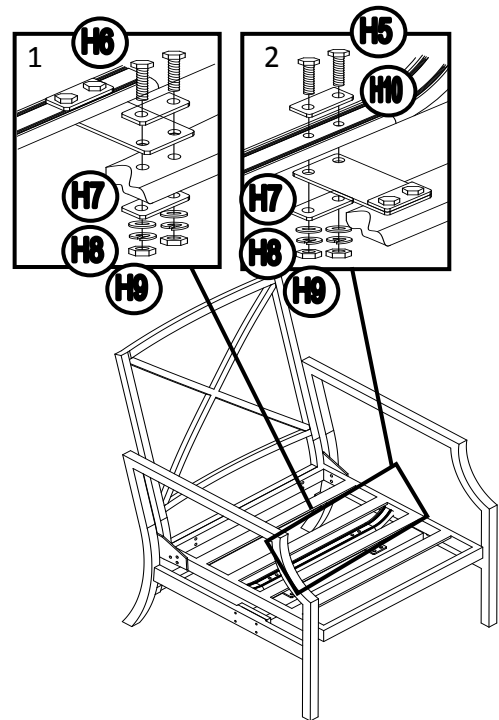
Repeat the same step to Middle bar (E).

Tighten all bolts here.

**Step 5:**

Place the assembled chair seat/back on the assembled chair base and secure them with Bolt (H6), Flat washer (H7), Spring washer (H8), Nut (H9) and Iron piece (H10). See Fig.1). Repeat the same step to the other location with Bolt (H5), Flat washer (H7), Spring washer (H8), Nut (H9) and Iron piece (H10). See Fig.2).

Tighten all bolts here.



**Step 6:**

Place Seat cushion (G), Back cushion (H) on the assembled chair. Secure them to Chair with Velcro at the cushions.

## **Care & Maintenance:**

- Before using, clean the product completely with a soft dry towel.
- When not in use, wipe free of any dirt or loose objects, wash with a mild solution of soap and water; rinse thoroughly and dry completely. Do not use strong detergent or abrasive cleaners.
- Steel components of garden accessories and furniture are treated with rust inhibiting paint. However, due to the nature of steel, surface oxidation (rusting) will occur if this protective coating is scratched.
- To minimize this condition, it is recommended that care be taken when assembling and handling the product, in order to prevent the paint from being scratched.

**Limited Warranty:** The item is warranted to be free from defects in material or workmanship for a period of twelve (12) months. However, we do not reimburse for transportation or delivery costs, nor compensate the individual or any outside party for assembling or disassembling the product. This limited warranty is extended to the original purchaser and applies to defects in materials and workmanship of your item, provided the item is maintained with care and used only for personal residential purposes.

## **Exclusions**

Items used for commercial, contract, or other non-residential purposes, or items damaged due to acts of nature, vandalism, misuse, or improper assembly are not covered. Corrosion or rusting of hardware is not covered. Proof of purchase (dated register receipt) is required for warranty claims. Warranty is to the original purchaser and is non-transferable. Any replacement of warranted items will be in the original style and color or a similar style and color if the original is unavailable or has been discontinued. As some states do not allow exclusions or limitations on an implied warranty, the above exclusions and limitations may not apply. This warranty gives you specific rights, and you may also have other rights, which vary from state to state.