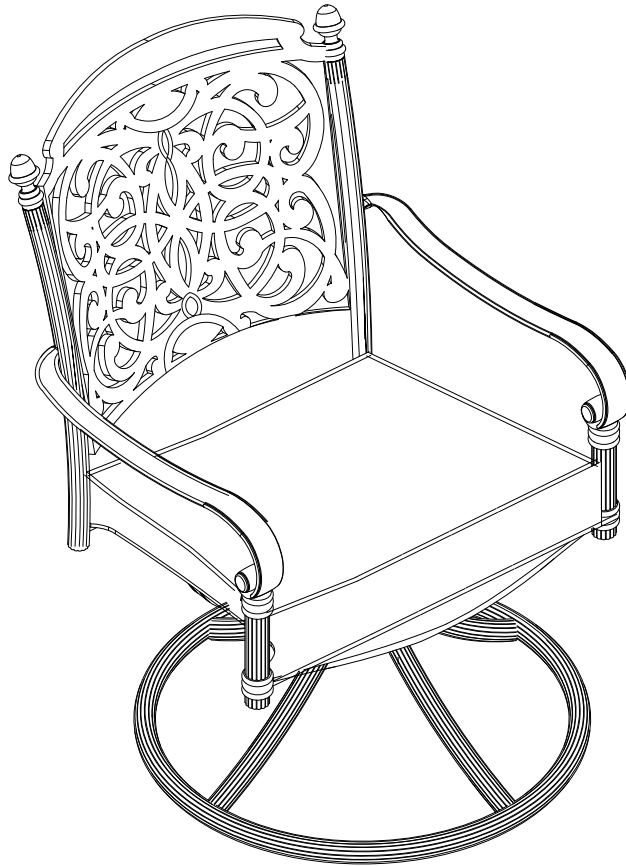


ASSEMBLY IINSTRUCTIONS

D-BS692SAL/ D-DN366SAL-3/ D-DN366SAL-3A



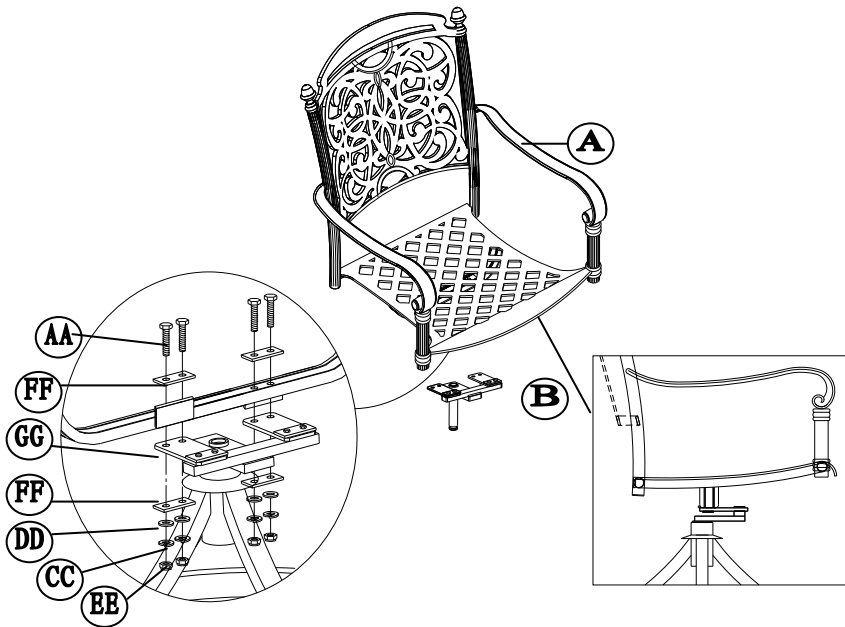
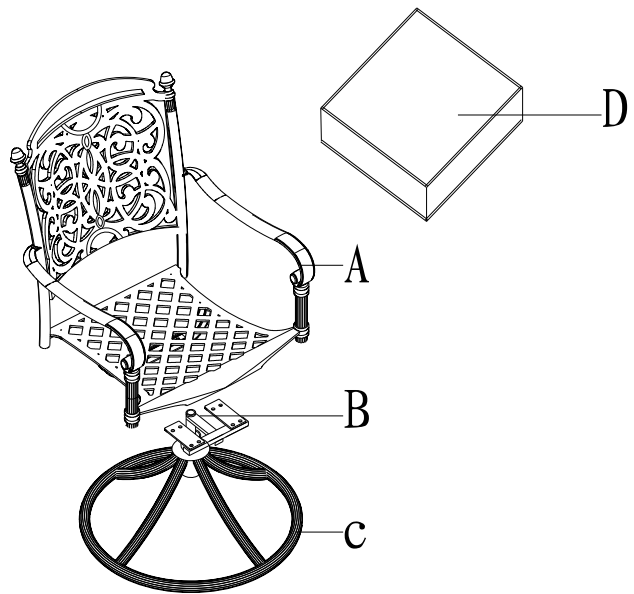
Warning

- Some parts may contain sharp edges. When assembling and using this product, basic safety precautions should always be followed to reduce the risk of personal injury and damage to the product. Please read all instructions before assembly and use.
- Check all bolts for tightness before use, and periodically check and tighten bolts as necessary.

Important: For technical assistance on assembly or replacement parts, please call Sunjoy Industries at 1(866) 578-6569 from 8:00 AM EST to 8:00 PM PST or email to customer.care@sunjoygroup.com or visit www.sunjoyonline.com to place your order or fax your parts replacement order form together with your purchase receipt to 1-740-283-3549 for assistance.

Limited Warranty: The item is warranted to be free from defects in material or workmanship for a period of **12** Months. However, we don't reimburse for transportation or delivery costs, or compensate the individual or any outside party for assembling or disassembling the product. This limited warranty is extended to the original purchaser and applies to defects in materials and workmanship of your item, provided the item is maintained with care and used only for personal residential purposes.

Parts List		
Part#	Description	Qty
A	Chair seat	1
B	Support	1
C	Chair base	1
D	Cushion	1
AA	Bolt M8x40	4
BB	Bolt M8*35(preassembled)	4
CC	Spring Washer M8 (4 preassembled)	8
DD	Flat Washer M8(4 preassembled)	8
EE	Nut M8(4 preassembled)	8
FF	Iron piece (2 preassembled)	6
GG	Spring plate (preassembled)	2
HH	Wrench M8	2

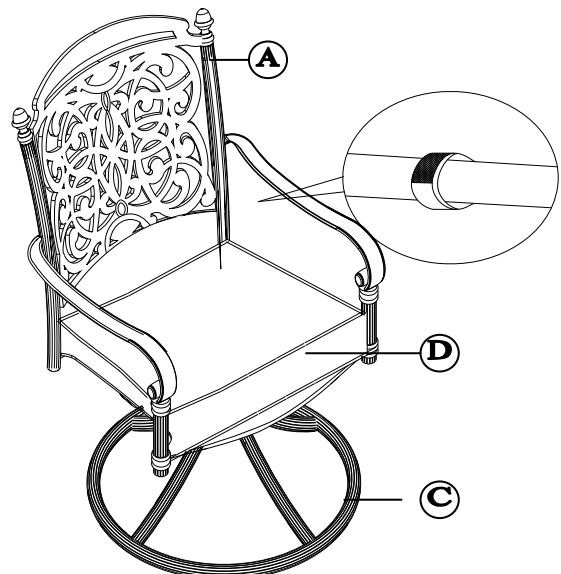


Step 1.

Assemble Chair seat (A) and Support (B) with Bolt (AA), Iron Washer (FF), Spring plate (GG), Flat washer (DD), Spring washer (CC) and Nut (EE).

Step 2.

Place Cushion (D) on the chair and fasten the loop and hook at the back.



ASSEMBLY INSTRUCTIONS

D-BS692SAL



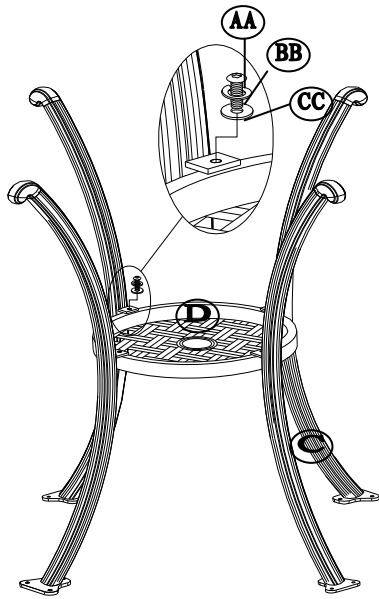
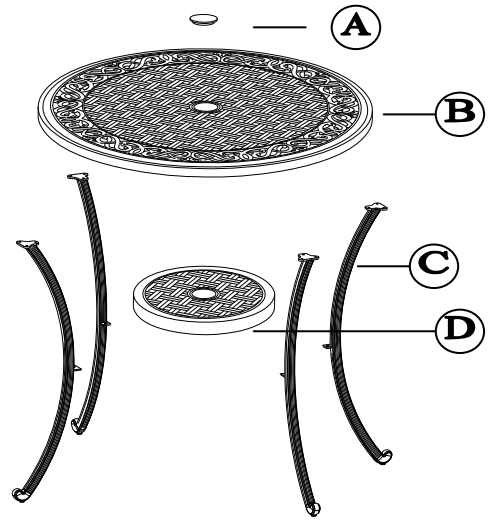
Warning

- Some parts may contain sharp edges. When assembling and using this product, basic safety precautions should always be followed to reduce the risk of personal injury and damage to the product. Please read all instructions before assembly and use.
- Check all bolts for tightness before use, and periodically check and tighten bolts as necessary.

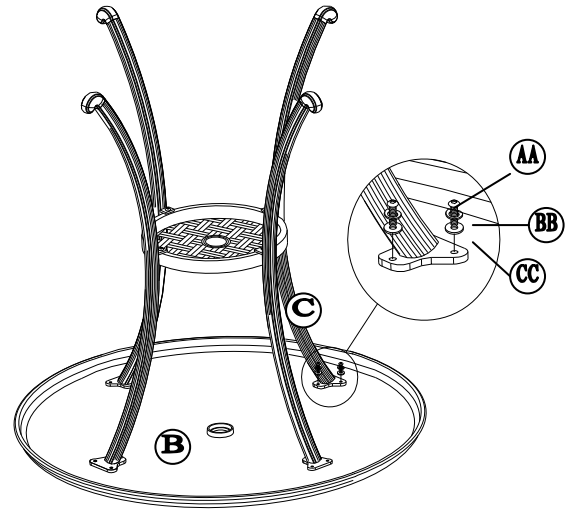
Important: For technical assistance on assembly or replacement parts, please call Sunjoy Industries at 1(866) 578-6569 from 8:00 AM EST to 8:00 PM PST or email to customer.care@sunjoygroup.com or visit www.sunjoyonline.com to place your order or fax your parts replacement order form together with your purchase receipt to 1-740-283-3549 for assistance.

Limited Warranty: The item is warranted to be free from defects in material or workmanship for a period of **12** Months. However, we don't reimburse for transportation or delivery costs, or compensate the individual or any outside party for assembling or disassembling the product. This limited warranty is extended to the original purchaser and applies to defects in materials and workmanship of your item, provided the item is maintained with care and used only for personal residential purposes.

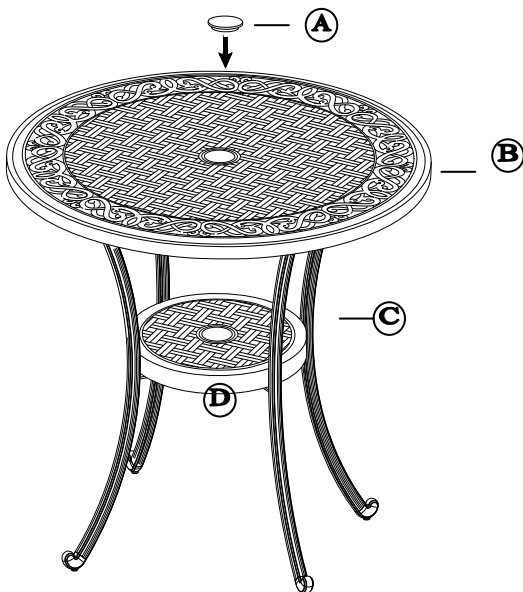
Parts List		
Part#	Description	Qty
A	Umbrella cap	1
B	Table top	1
C	Leg	4
D	Shelf	1
AA	Bolt M6×20	16
BB	Spring washer M6	16
CC	Flat washer M6	16
DD	Wrench M6	1
EE	Foot pad (preassembled)	4



Step 1. Assemble Shelf (D) and Leg (C) with Bolt (AA), Spring washer (BB) and Flat washer (CC). Do not fasten them at this step.



Step 2. Attach the assembled legs and shelf onto Table top (B) with Bolt (AA), Spring washer (BB) and Flat washer (CC). Do not fasten them at this step.



Step 3. Turn upside the table and fasten all bolts and washers. Place Umbrella cap (A) on the umbrella hole of the table top. Now your table is ready for use.