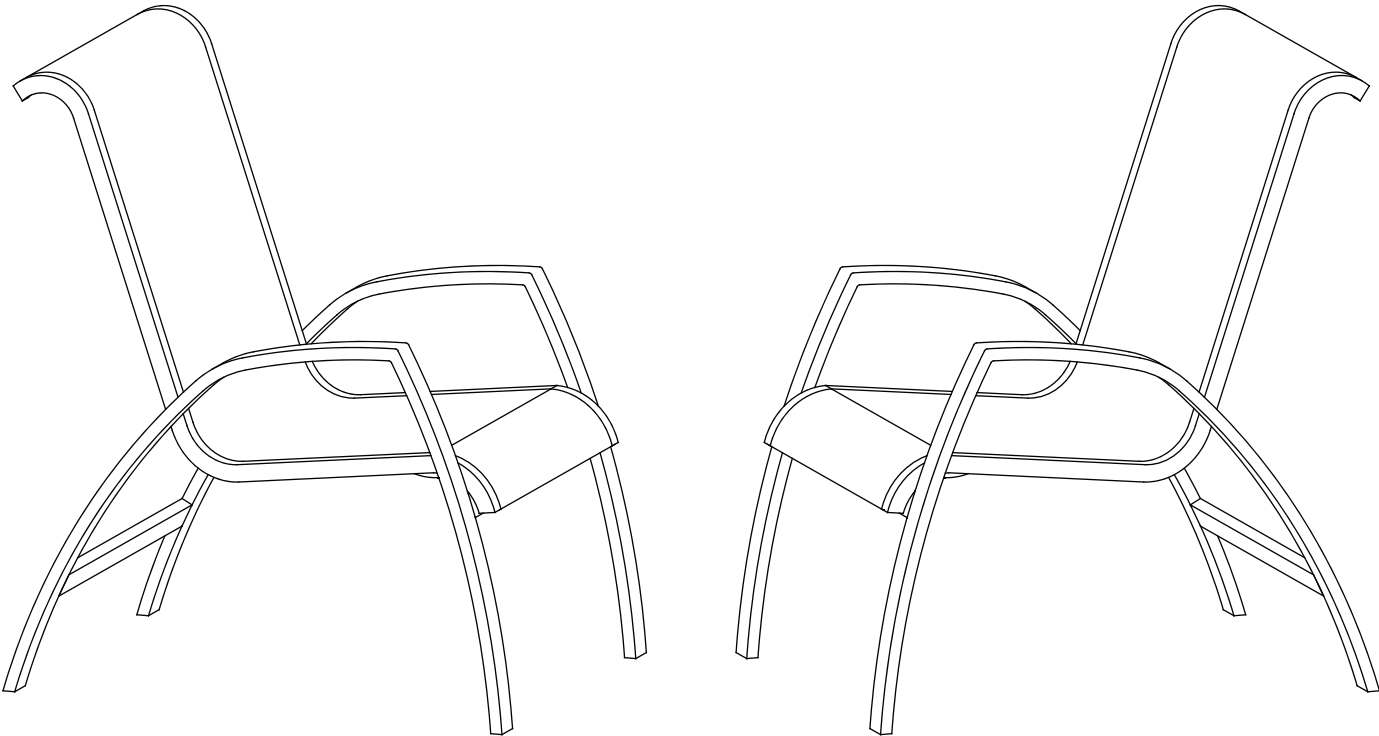


Assembly Instructions  
Shelton set - Chair  
Item: L-DN792SAL-1-A





## **SAFETY INFORMATION**

---

### **WARNINGS**

Paint on this product might peel off if it is mishandled. Use and carry it with care, and apply touch-up paint whenever necessary.

Some parts may contain sharp edges. Wear protective gloves as necessary.

### **CAUTIONS**

**Chair Weight Capacity: 225 lbs.**

### **CARE AND MAINTENANCE**

---

Before using, clean the product completely with a soft, dry towel.

When not in use, wipe free of any dirt or loose objects and wash with a mild solution of soap and water; rinse thoroughly and dry completely. Do not use strong detergent or abrasive cleaners.

Store the product in a cool, dry location away from sunlight.

### **WARRANTY**

---

This limited warranty is extended to the original purchaser and applies to defects in materials and workmanship of your item provided the item is maintained with care and used only for personal, residential purposes. The item is warranted to be free from defects in material or workmanship for a period of 1 years. We don't reimburse for transportation or delivery costs, or compensate.

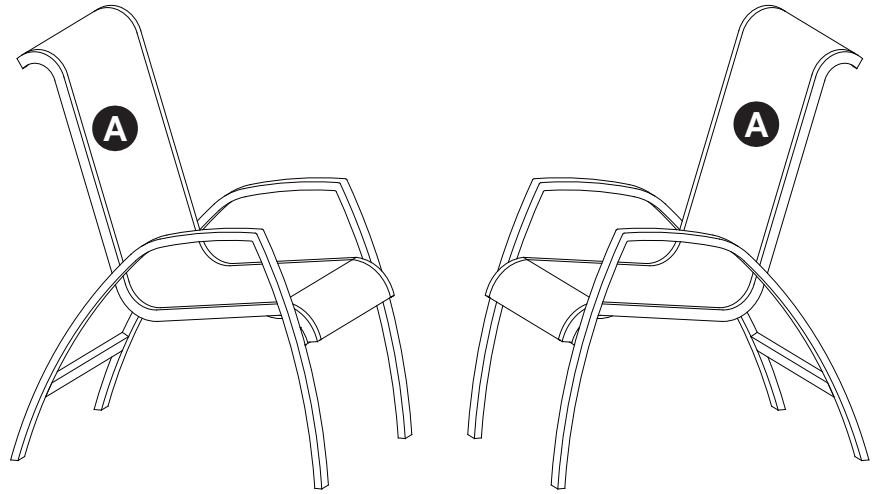
Exclusions: Items used for commercial, contract, or other non-residential purposes, or items damaged due to acts of nature, vandalism, misuse, or improper assembly are not covered. Corrosion or rusting of hardware is not covered. Proof of purchase (dated register receipt) is required for warranty claims. Warranty is to the original purchaser and is non-transferable. Any replacement of warranted items will be in the original style and color, or a similar style and color if the original is unavailable or has been discontinued. As some states do not allow exclusions or limitations on an implied warranty, the above exclusions and limitations may not apply. This warranty gives you specific rights, and you may also have other rights, which vary from state to state.

## REPLACEMENT PARTS LIST

---

For replacement parts, call our customer service department at 1-800-643-0067, 8 a.m. - 8 p.m., EST, Monday - Friday.

PART	DESCRIPTION
A	Chair

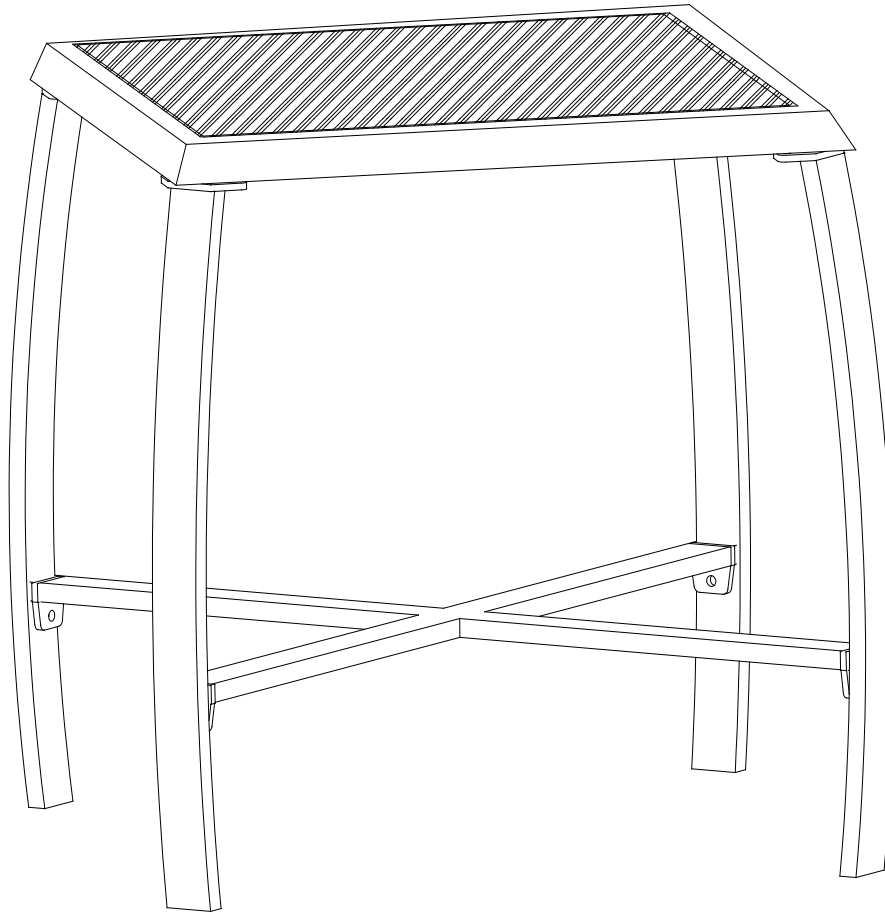


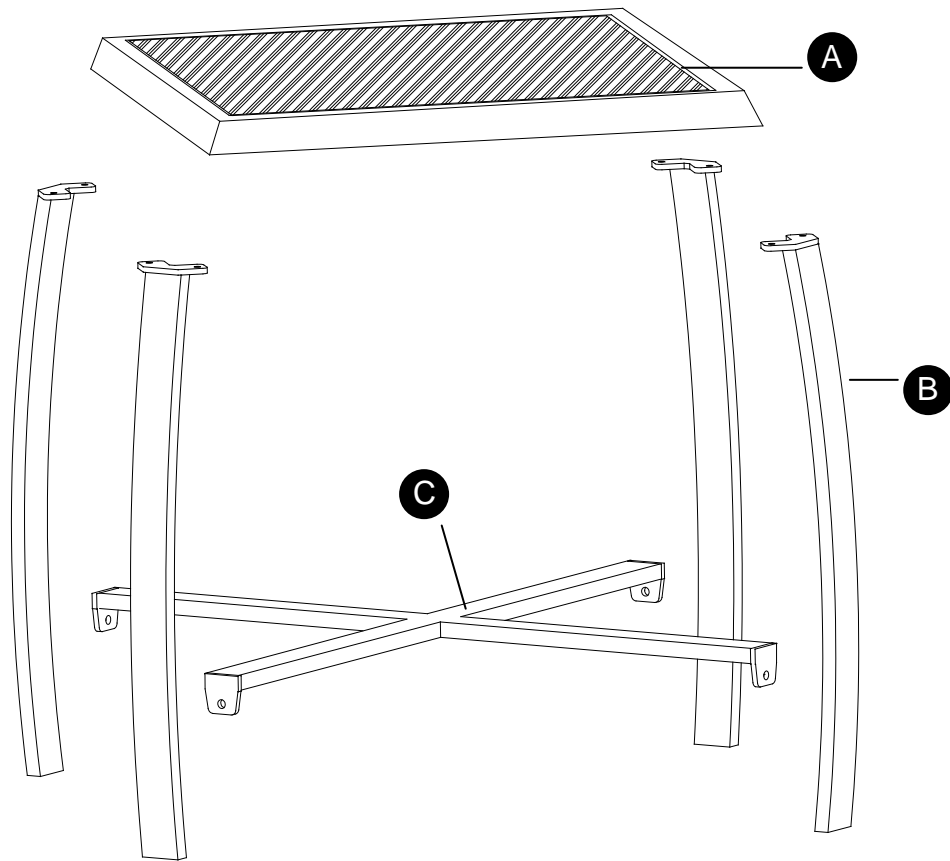
Printed in China

# Assembly Instructions

## Shelton set – Table

Item: L-DN792SAL-1-A








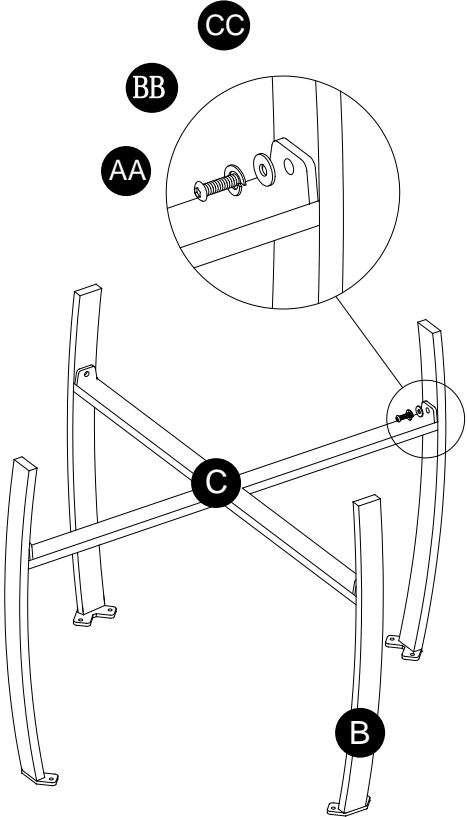
**Parts List**



Number	Description	Qty
A	Table Top	1
B	Leg	4
C	Support	1

**Hardware List**

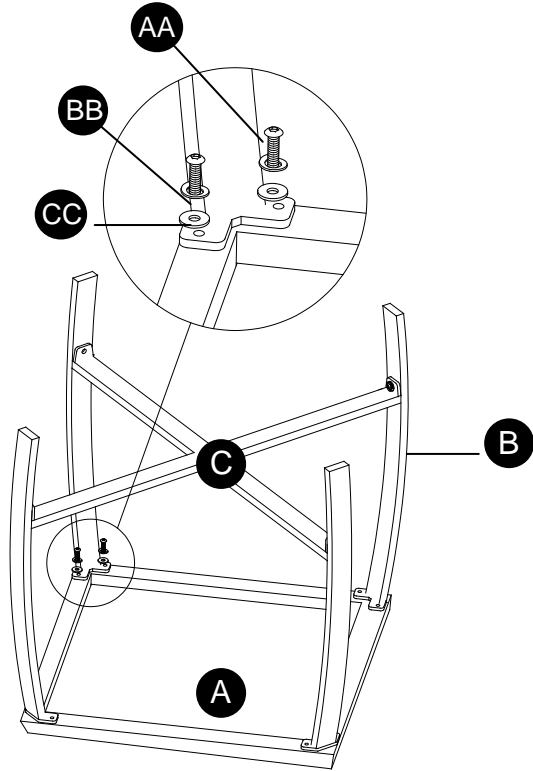
Number	Description	Qty	Image
AA	Bolt M6X20	12	
BB	Spring Washer M6	12	
CC	Flat Washer M6	12	
DD	Wrench M6	1	

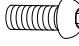

Step 1: Attach leg (B) onto support (C), then connect with bolt (AA), spring washer (BB) and flat washer (CC).



Number	Description	Qty	Image
AA	Bolt M6X20	4	
BB	Spring Washer M6	4	
CC	Flat Washer M6	4	

Step 2: Attach table top (A) onto leg (B), connect with bolt (AA), spring washer (BB) and flat washer (CC), then tighten all the bolts with wrench (DD).



Number	Description	Qty	Image
AA	Bolt M6X20	8	
BB	Spring Washer M6	8	
CC	Flat Washer M6	8	