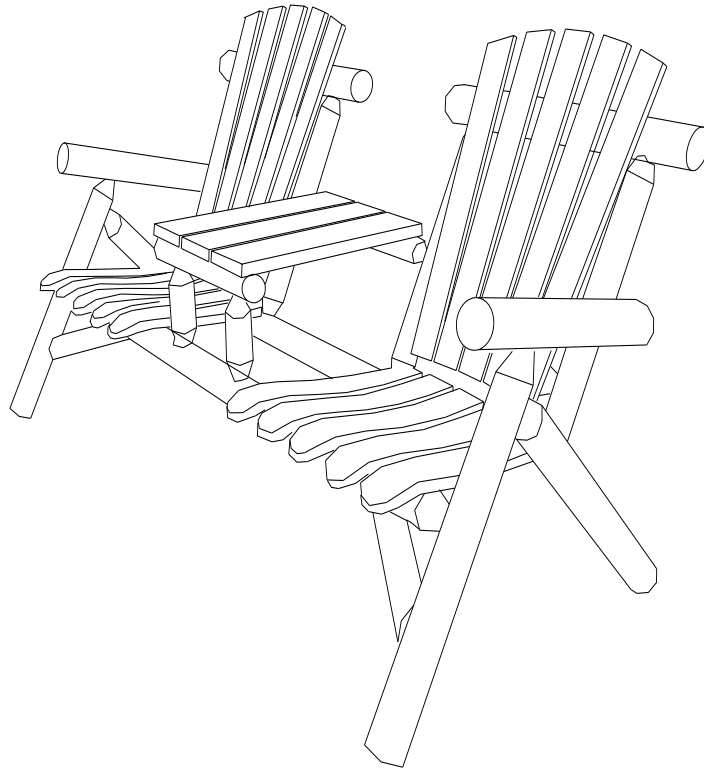


# ASSEMBLY INTRUCTION

## ITEM#: D-DNC485PWD



### **WARNING:**

Repeated assembly can weaken the locking ability of the screw/bolt/nut. Periodically check all bolted connections on your product to make sure they are tight and secure. Keep these instructions for future reference.

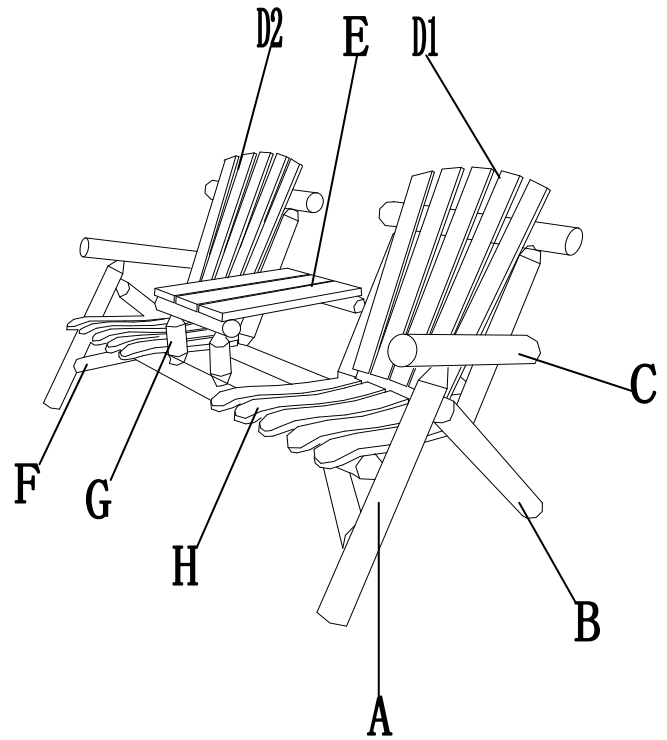
Some parts may contain sharp edges. Wear protective gloves as necessary.

Set it up on the level ground.

**Attention: Please notice there are split lines in the wood logs. These are NOT defects. These are factory created to allow expansion and contracting as the weather changes throughout the year.**

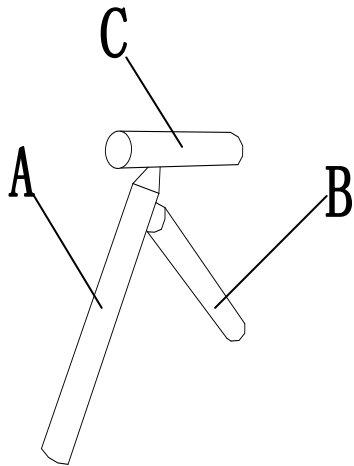
**Important:** For technical assistance on assembly or replacement parts, please call Sunjoy Industries at 1(866) 578-6569 from 8:00 AM EST to 8:00 PM PST. You may email to [customer.care@sunjoygroup.com](mailto:customer.care@sunjoygroup.com) or visit [www.sunjoyonline.com](http://www.sunjoyonline.com) to place your order or fax your parts replacement order form (which is included in the packaging) together with your purchase receipt to 1 (740) 283-3549 for assistance.

PARTS LIST		
PART#	DESCRIPTION	QTY
A	Front Leg DNC0485XXX01	2
B	Back Leg DNC0485XXX02	2
C	Armrest DNC0485XXX03	2
D1	Back 1 DNC0485XXX04	1
D2	Back 2 DNC0485XXX05	1
E	Table Plate DNC0485XXX06	1
F	Chair Support bar DNC0485XXX07	2
G	Table Support bar DNC0485XXX08	2
H	Seat DNC0485XXX09	1



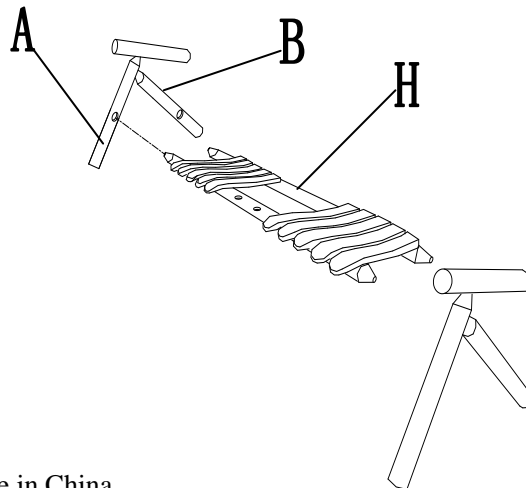
HARDWARE PACK		
PART#	DESCRIPTION	QTY
AA	Screw M4x40 ZS04040E	30
BB	Screw M8x100 SM08100C	2
CC	Washer M8 UD08C	2

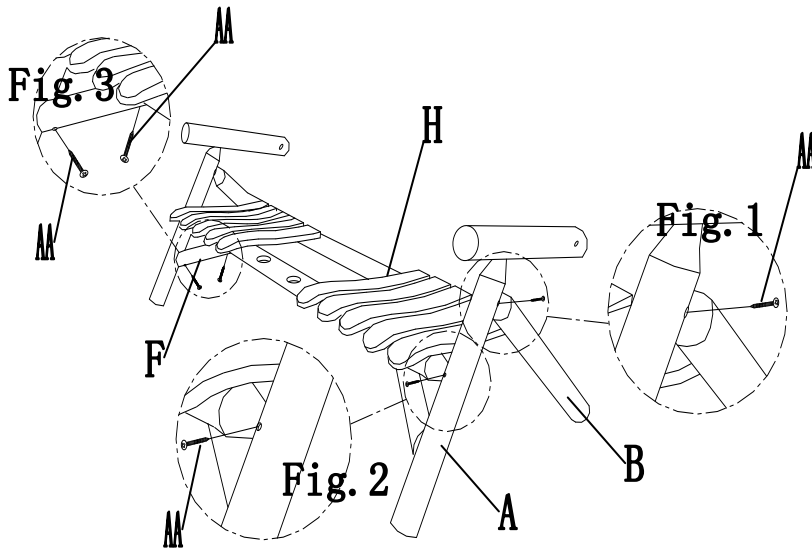
**ASSEMBLY STEPS**



Step 1: Insert Back Leg (B) into Front Leg (A), insert Front Leg (A) into Armrest(C).  
Do not use screw at this step.

Step 2: Insert Seat (H) into Front Leg and Back Leg (B). Don't use screw now.



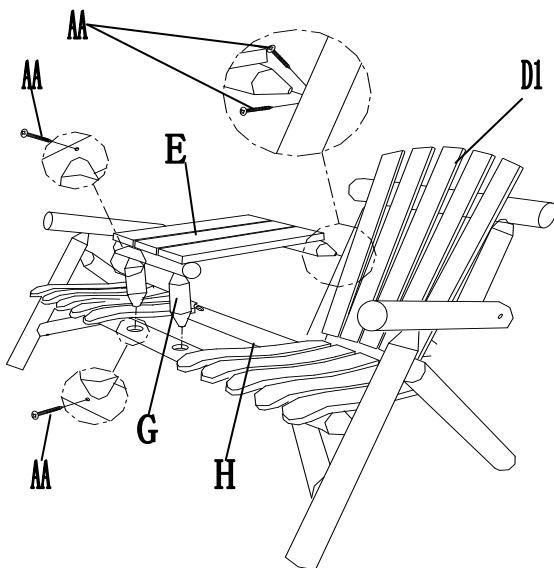
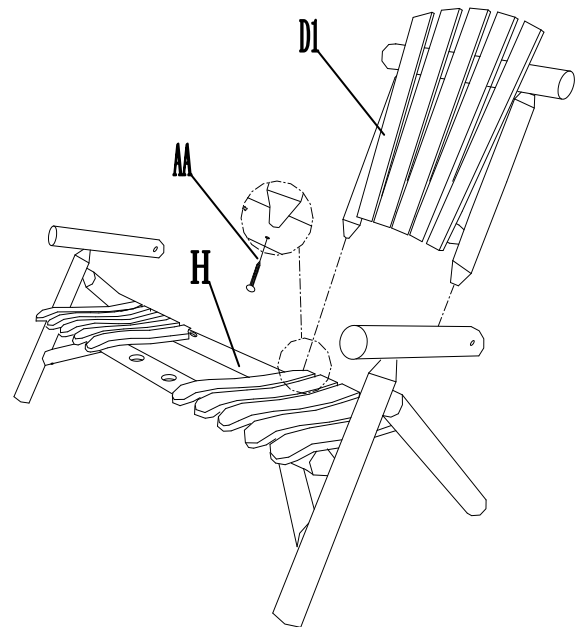


Step 3: Fasten Back Leg (B) and Front Leg (A) with Screw AA (see Fig1).

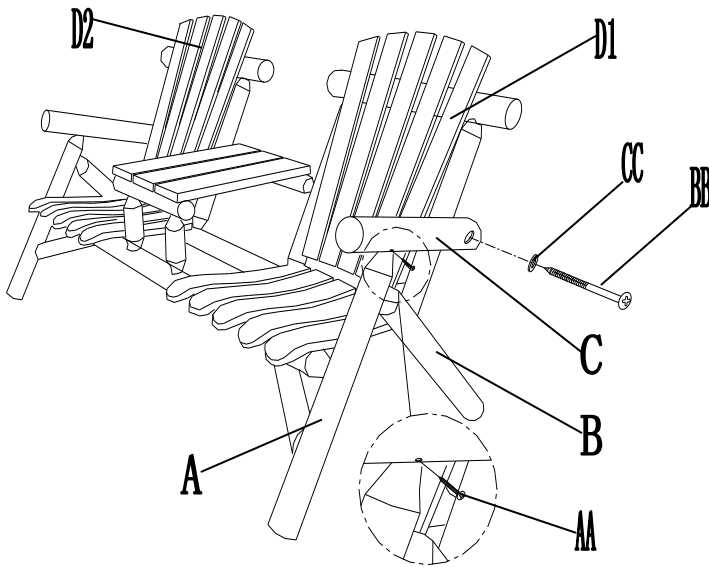
Fasten Seat (H) and Front Leg (A) and Back Leg (B) with Screw AA (see Fig2).

Attach Chair Support bar (F) to Front Leg (A) and Seat (H) with Screw AA (see Fig3). Ensure all connections fit properly before tightening screws.

Step 4: Insert Back 1 (D1) into Seat (H), then fasten them with Screw AA.



Step 5: Insert Table Support bar (G) into Seat (H) with Screw AA, insert Table Plate (E) into Back 1 (D1) and Table Support bar (G) with Screw AA.



Step 6: Attach Back 2 (D2) to Seat (H) with Screw AA.

Attach Armrest (C) to Back (D1&D2) with Screw BB and Washer CC.

Attach Armrest (C) to Front Leg (A) with Screw AA.

Tighten all screws before use.

**Now, your Tete-a-Tete is ready to use and enjoy!**

**Limited Warranty:**

This limited warranty is extended to the original purchaser and applies to defects in materials and workmanship of your item provided the item is maintained with care and used only for personal, residential purposes. The item is warranted to be free from defects in material or workmanship for a period of six (6) months. We do not reimburse for transportation or delivery costs, nor compensate the individual or any outside party for assembling or disassembling the product.

**Exclusions:**

Items used for commercial, contract, or other non-residential purposes, or items damaged due to acts of nature, vandalism, misuse, or improper assembly are not covered. Corrosion or rusting of hardware is not covered. Proof of purchase (dated register receipt) is required for warranty claims. Warranty is to the original purchaser and is non-transferable. Any replacement of warranted items will be in the original style and color, or a similar style and color if the original is unavailable or has been discontinued. As some states do not allow exclusions or limitations on an implied warranty, the above exclusions and limitations may not apply. This warranty gives you specific rights, and you may also have other rights, which vary from state to state.