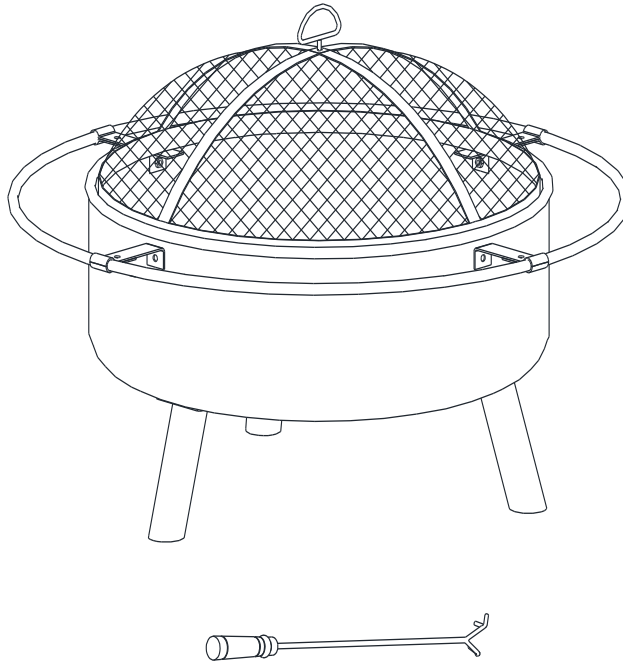


ASSEMBLY INTRUCTIONS

ITEM#: L-DN1351SST-A Fire Pit



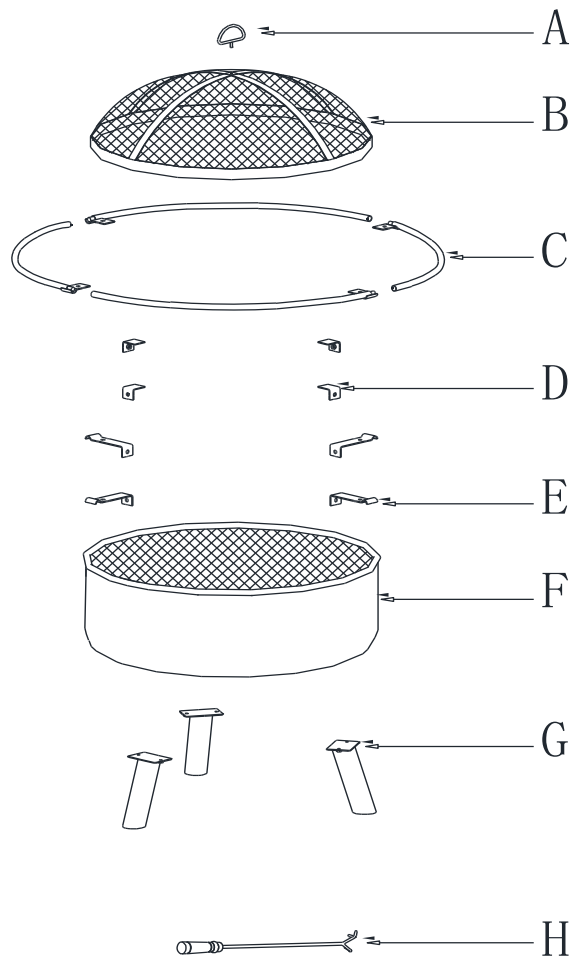
WARNINGS:

- This fire bowl is intended for outdoor use only. Do NOT use on wooden decks. DO NOT use in the vicinity of flammable objects.
- This fire bowl is intended to burn wood logs only. Do not burn leaves, or other combustible materials in the fire bowl.
- Not for use by children. Keep children and pets away from the fire bowl.
- The fire bowl is hot. Use with caution. Do not touch the hot fire bowl with bare hands.
- Never leave the burning fire bowl unattended, and always extinguish the fire completely before leaving the fire bowl.
- Do not use near flammable or combustible objects or materials.
- DO NOT use this Fire Pit as a cooking appliance. This Fire Pit is not designed to be used for grilling food. When the fire bowl is in use, the handle on the mesh screen can reach extreme temperatures that can cause serious injury to an unprotected hand. Use a poker or an appropriate heat resistant glove or pad when handling.
- Check local fire regulations and municipal by-laws for safe use.

Important: For technical assistance on assembly or replacement parts, please call Sunjoy Industries at 1(866) 578-6569 from 8:00 AM EST to 8:00 PM PST. You may email to customer.care@sunjoygroup.com or visit www.sunjoyonline.com to place your order or fax your parts replacement order form (which is included in the packaging) together with your purchase receipt to 1 (740) 283-3549 for assistance.

PARTS LIST		
Label	Description	QTY
A	Handle	1
B	Screen	1
C	Ring	4
D	Bracket	4
E	Connector	4
F	Body	1
G	Leg	3
H	Poker	1

HARDWARE PACK		
Label	Description	QTY
AA	Nut M6	1
BB	Screw M6x15	14
CC	Washer M6	14
DD	Wrench M6	1



ASSEMBLY STEPS

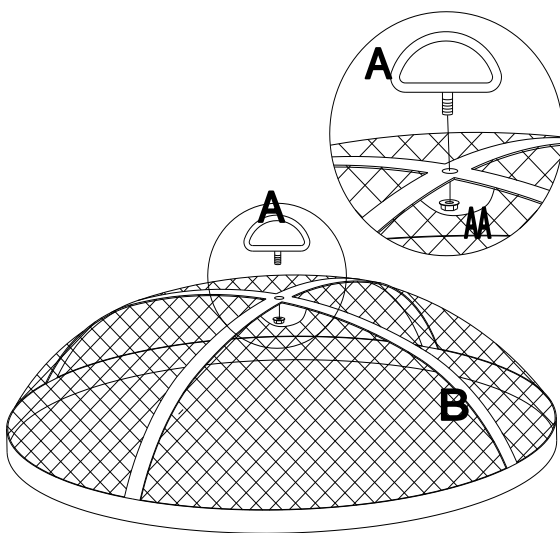


Fig.1

Step 1

Assemble Handle (Part A) and Screen (Part B) together with nuts AA.

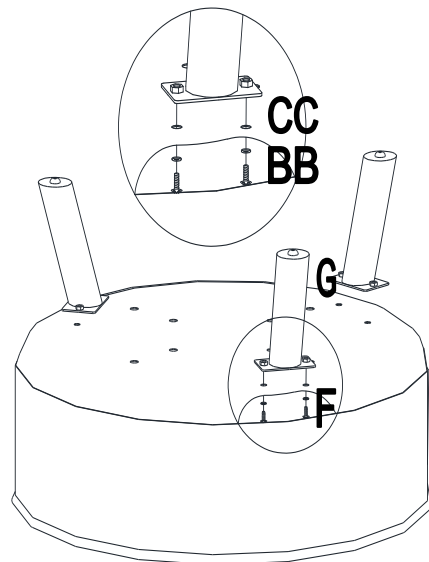


Fig.2

Step 2

Attach Leg (Part G) and Body (Part F) together with screws BB and washers CC.

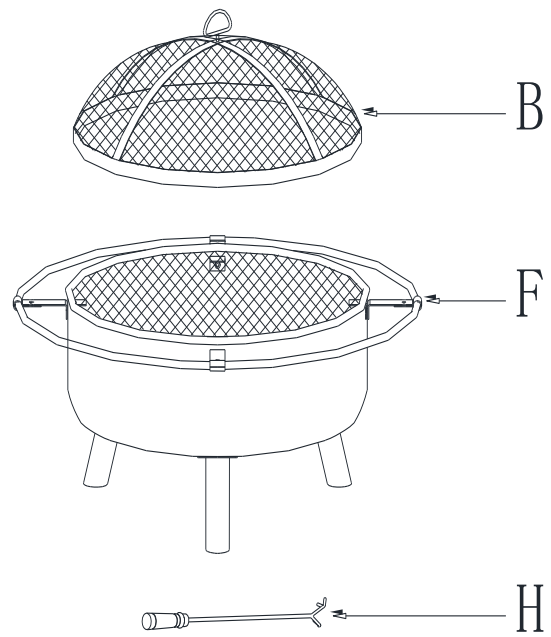
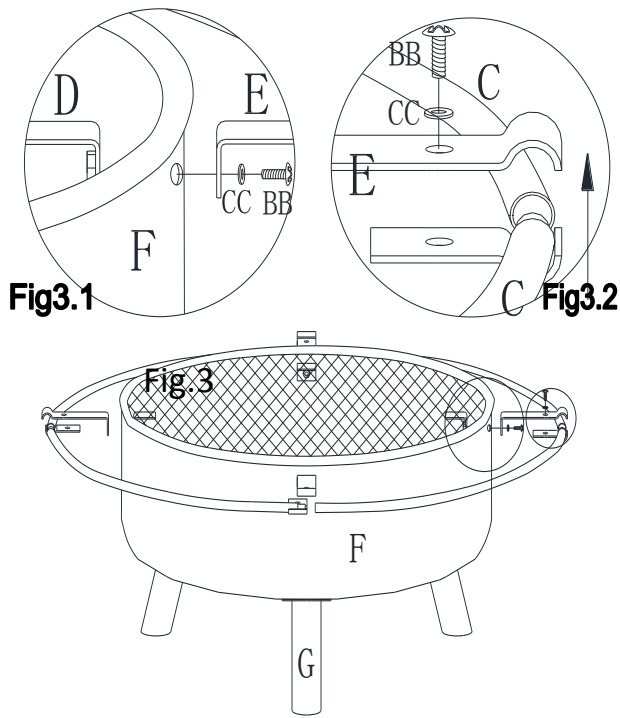


Fig.4

Step 3

Fig3.1 Attach Bracket (Part D) and Connector (Part E) onto the above assembled Body and Leg with screws BB and washers CC, do not tighten them at this step.

Fig3.2 Insert Ring (Part C) with one another and then secure them with screws BB and washers CC. Tighten all the screws and washers.

Step 4

Place Screen (Part B) on the assembled fire pit. Get the poker for use any time.

Care & Cleaning

Before using, clean the fire pit completely with a soft dry towel. When not in use, store in a cool, dry area.

Limited Warranty: The item is warranted to be free from defects in material or workmanship for a period of twelve (12) months. However, we do no reimburse for transportation or delivery costs, nor compensate the individual or any outside party for assembling or disassembling the product. This limited warranty is extended to the original purchaser and applies to defects in materials and workmanship of your item, provided the item is maintained with care and used only for personal residential purposes.

Exclusions: Items used for commercial, contract, or other non-residential purposes, or items damaged due to acts of nature, vandalism, misuse, or improper assembly are not covered. Corrosion or rusting of hardware is not covered. Proof of purchase (dated register receipt) is required for warranty claims. Warranty is to the original purchaser and is non-transferable. Any replacement of warranted items will be in the original style and color, or a similar style and color if the original is unavailable or has been discontinued. As some states do not allow exclusions or limitations on an implied warranty, the above exclusions and limitations may not apply. This warranty gives you specific rights, and you may also have other rights, which vary from state to state.

WARNING: Fuels used in wood or charcoal burning appliances, and the products of combustion of such fuels, contain chemicals known to cause cancer, birth defects or other reproductive harm.