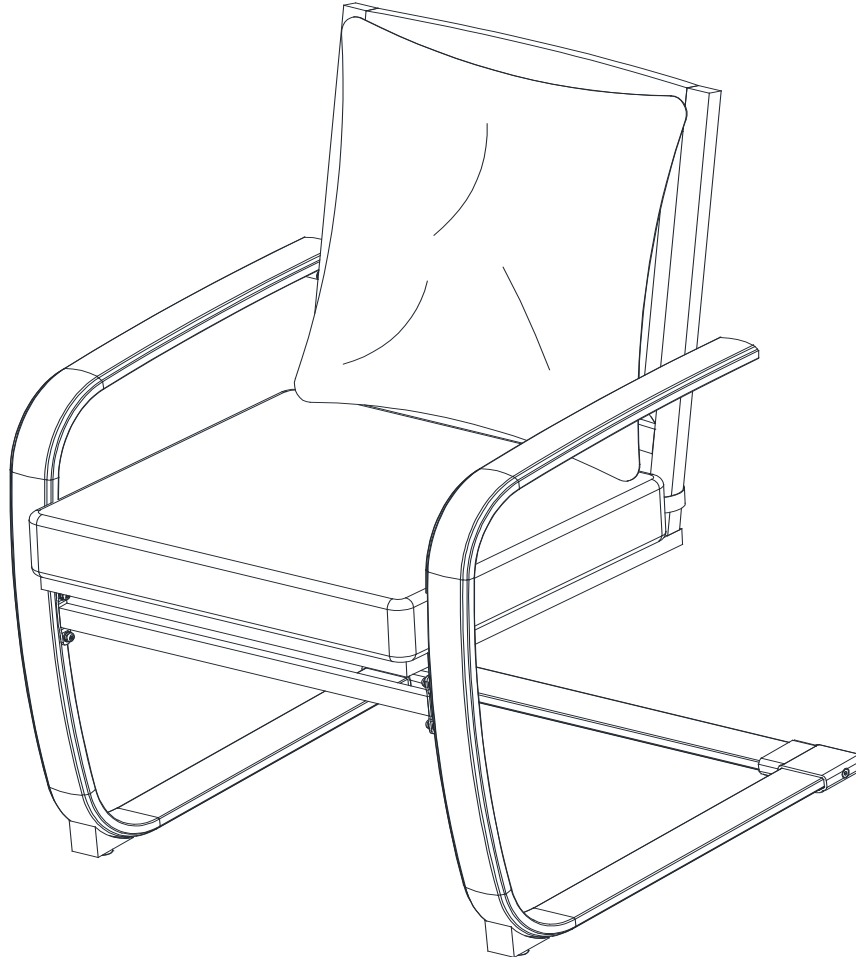


ASSEMBLY INTRUCTION

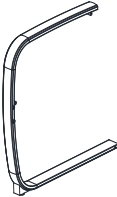
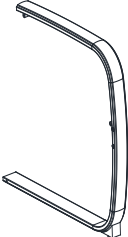
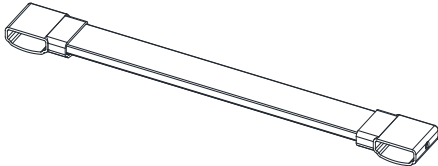
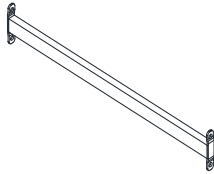
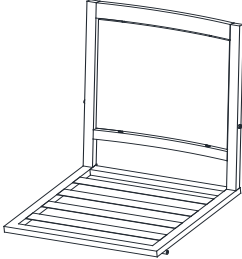
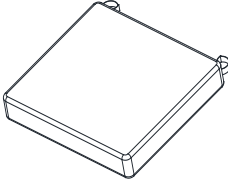
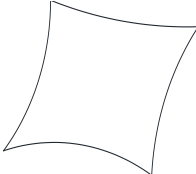
ITEM#: 110201066 - Chair



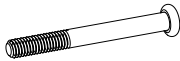
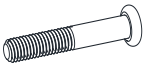
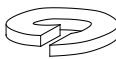






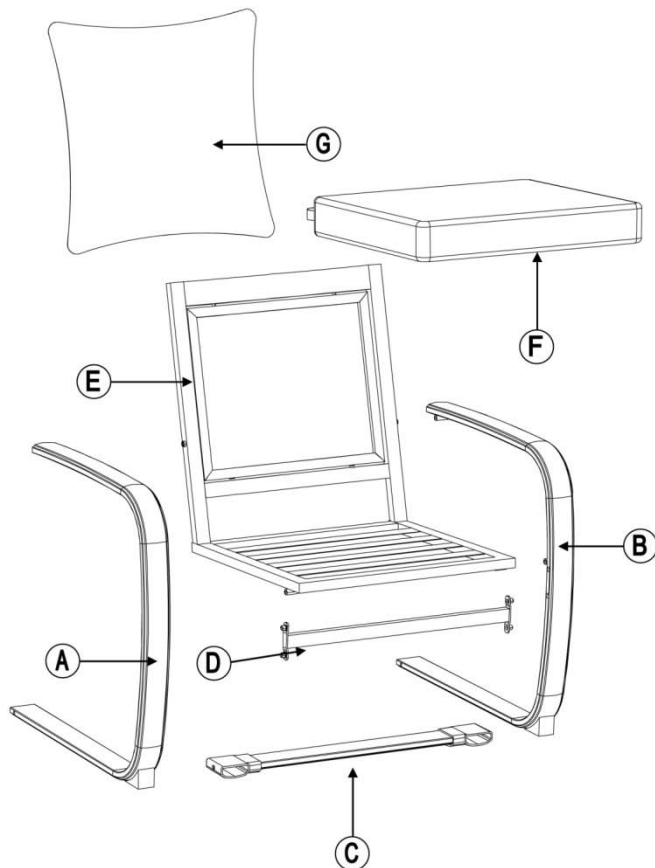
Warning

- Keep all children and pets away from assembly area. Children and pets should be supervised when they are in the area of the Chair construction.
- Some parts may contain sharp edges. When assembling and using this product, basic safety precautions should always be followed to reduce the risk of personal injury and damage to the product. Please read all instructions before assembly and use.
- Check all bolts for tightness before use, and periodically check and tighten bolts as necessary.
- Chair is for setting purpose only. Standing on or misuse of bench may result in damage or injury. Weight limit 225 LBS (100kg).For outdoor use only.

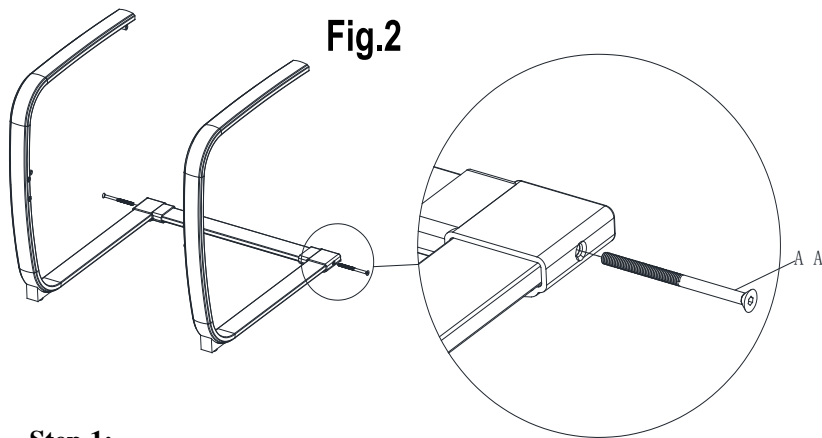
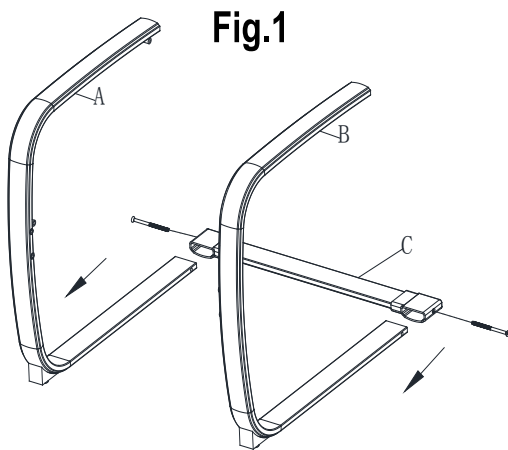
Important: For technical assistance on assembly, please call Sunjoy Industries at 1(866) 578-6569 anytime 24 hours / 7 days a week, or email to customer.care@sunjoygroup.com, or visit www.sunjoyonline.com.

PARTS LIST (For 1 chair, total 4 chairs)			
Label	Description	QTY	Image
A	Right Handrail	1	
B	Left Handrail	1	
C	Back Connecting Rod	1	
D	Front Connecting Rod	1	
E	Seat and Back	1	
F	Seat Cushion	1	
G	Back Cushion	1	

HARDWARE LIST			
Label	Description	QTY	Image
AA	Hexagon Bolt M6x80	2	
BB	Hexagon Bolt M6x20	4	
CC	Hexagon Bolt M6x65	2	
DD	Hexagon Bolt M6x40	2	
EE	Spring Washer M6	8	
FF	Flat Washer M6	10	
GG	Nut M6	2	
HH	Allen Wrench M6	1	
II	Open-end Wrench M6	1	



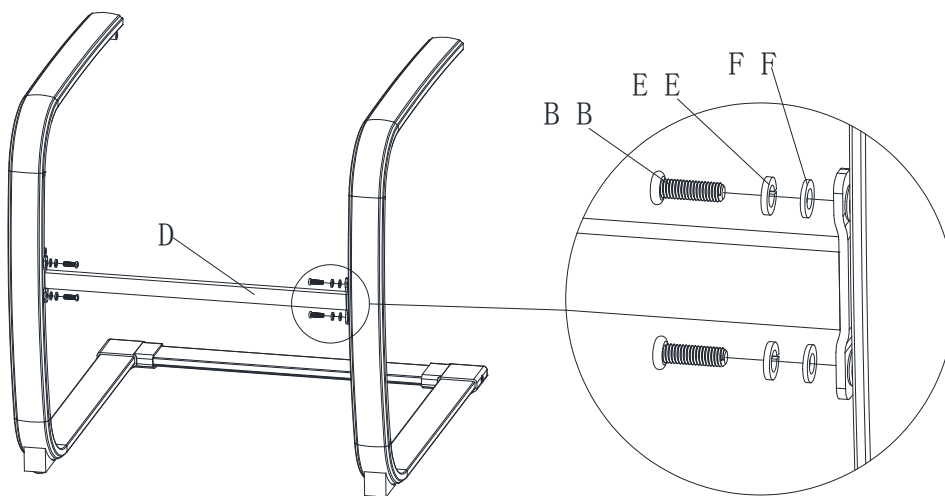
ASSEMBLY STEPS



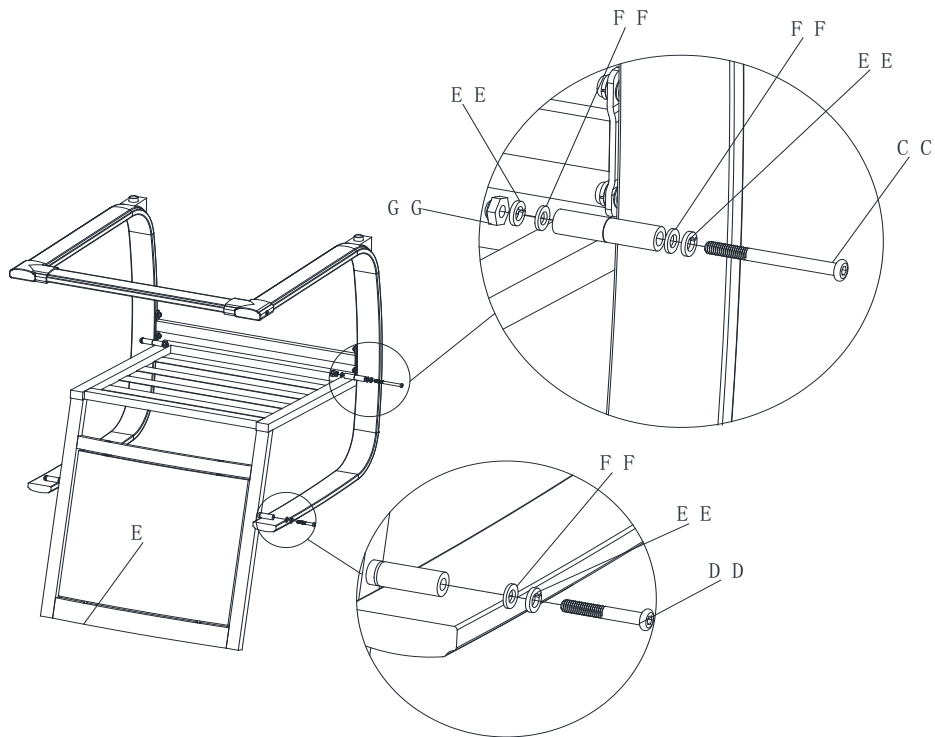
Step 1:

As shown in Fig. 1, insert Connecting Rod (C) into Handrails (A & B).

As shown in Fig. 2, connect Rod (C) and Handrail (A) with Bolts (AA), Wrench (HH), fasten the bolts. Same step with another Handrail (B).



Step 2: Connect Rod (D) and Handrails (A & B) with Bolts (BB), Washers (EE) and Washers (FF).

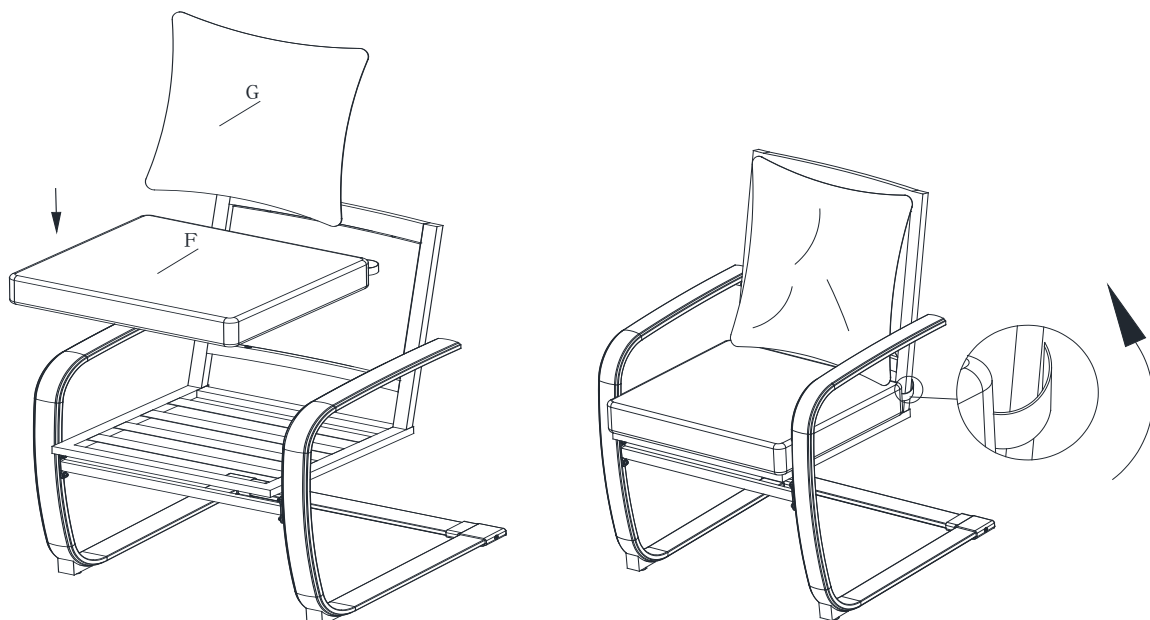


Step 3:

Connect Seat (E) and Handrails (A & B) with Bolts (CC), Bolts (EE), Bolts (FF), Nut (GG)

Connect Back (E) and Handrails (A & B) with Bolts (DD), Bolts (EE), Bolts (FF).

Use Wrench (HH) and Wrench (II) to fasten all of the bolts.



Step 4: Turn the chair over.

Put the Cushion (F) and Cushion (G) on the Seat & Back (E), tie the belts.

Care & Maintenance:

- Before using, clean the product completely with a soft dry towel.
- When not in use, wipe free of any dirt or loose objects, wash with a mild solution of soap and water; rinse thoroughly and dry completely. Do not use strong detergent or abrasive cleaners.
- Steel components of garden accessories and furniture are treated with rust inhibiting paint. However, due to the nature of steel, surface oxidation (rusting) will occur if this protective coating is scratched.
- To minimize this condition, it is recommended that care be taken when assembling and handling the product, in order to prevent the paint from being scratched.

Limited Warranty:

The item is warranted to be free from defects in material or workmanship for a period of twelve (12) months. However, we do not reimburse for transportation or delivery costs, nor compensate the individual or any outside party for assembling or disassembling the product. This limited warranty is extended to the original purchaser and applies to defects in materials and workmanship of your item, provided the item is maintained with care and used only for personal residential purposes.

Exclusions

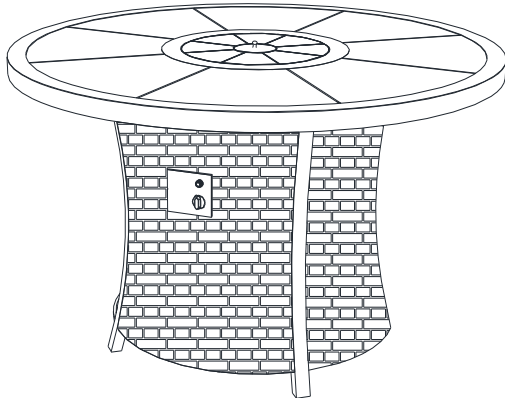
Items used for commercial, contract, or other non-residential purposes, or items damaged due to acts of nature, vandalism, misuse, or improper assembly are not covered. Corrosion or rusting of hardware is not covered. Proof of purchase (dated register receipt) is required for warranty claims. Warranty is to the original purchaser and is non-transferable. Any replacement of warranted items will be in the original style and color or a similar style and color if the original is unavailable or has been discontinued. As some states do not allow exclusions or limitations on an implied warranty, the above exclusions and limitations may not apply. This warranty gives you specific rights, and you may also have other rights, which vary from state to state.

ASSEMBLY INSTRUCTION

ITEM#: 110201066 – Firepit Table



WARNING: For Outdoor Use Only.



Propane tank not included
AA battery needed, not included



DANGER

If you smell gas:

1. Shut off gas to the appliance.
2. Extinguish any open flame.
3. If odor continues, keep away from the appliance and immediately call your gas supplier or fire department.



WARNING:

Improper installation, adjustment, alteration, service or maintenance can cause injury or property damage. Read the installation, operating and maintenance instructions thoroughly before installing or servicing this equipment.



WARNING

Do not store or use gasoline or other flammable vapors and liquids in the vicinity of this or any other appliance.

An LP-cylinder not connected for use should not be stored in the vicinity of this or any other appliance.



DANGER

CARBON MONOXIDE HAZARD

This appliance can produce carbon monoxide which has no odor.

Using it in an enclosed space can kill you.

Never use this appliance in an enclosed space such as a camper, tent, car or home.



This appliance complies with “ANSI Z21.97-2014/CSA 2.41-2014, Outdoor Decorative Gas Appliances.

TABLE OF CONTENTS

General information	2
Specification.....	3
Important safety information and precaution.....	3-4
Expanded view.....	5
Parts list.....	5
Installation.....	6
Location.....	7
Set up.....	7
Gas connection	7-8
Operation.....	8
Leak check.....	8
Ignite lighting.....	8-9
Storage and Maintenance.....	9
Trouble shooting	10
Limited warranty.....	10
Cleaning and maintenance.....	10-11

GENERAL INFORMATION

IMPORTANT

Please take time to read these instructions thoroughly and follow each step carefully for safe and easy operation. Keep this manual to consumer for installer and consumer future reference/use.

For technical assistance on assembly, please call Sunjoy Industries at 1(866) 578-6569 anytime 24 hours / 7 days a week, or email to customer.care@sunjoygroup.com, or visit www.sunjoyonline.com.

SPECIFICATION

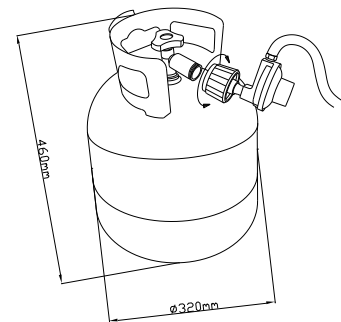
Product name	Gilford Fire Pit Table
Model NO.	L-DN2085SST
Rated Heat Output	35,000BTU/HR
Fuel	Propane-LP
Gas Supply	20 lb. LP-Gas cylinder
Manifold Pressure	11 Inches W.C.
Orifice Size (diameter)	1.9mm
Gas Supply Pressure	Max.250 PSI

IMPORTANT SAFETY INFORMATION AND PRECAUTION

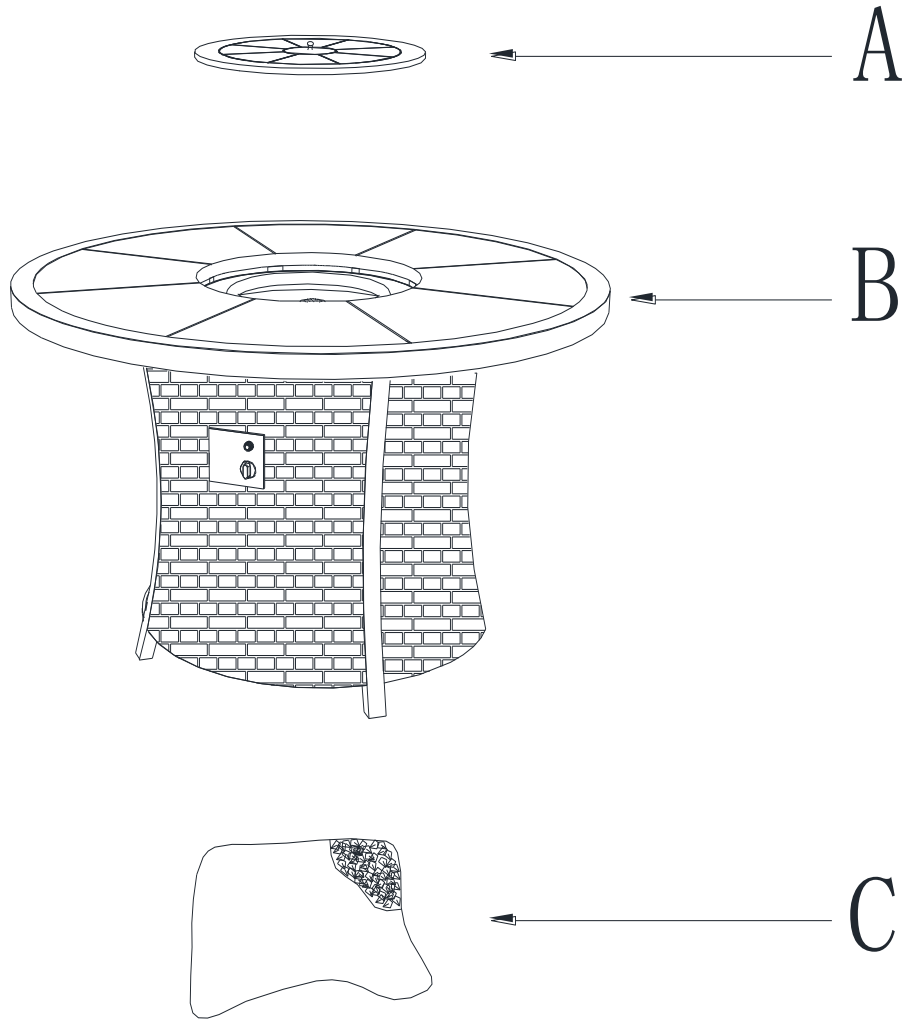
- When the appliance is for connection to a fixed piping system, the installation must conform with local codes, or in the absences of local codes with the *National Fuel Gas Code, ANSI Z223.1/NFPA54*; International Fuel Gas Code, Natural Gas and Propane Installation Code, CSA B149.1; or Propane Storage and Handling Code, B149.2, as applicable.
- The LP gas supply cylinder to be used must be:
 - 1- Constructed and marked in accordance with the U.S. Department of Transportation (D.O.T.) Specifications for LP-Gas Cylinders, or the Standard for Cylinders, Spheres and Tubes for transportation of Dangerous Goods and Commission, CAN/CSA-B339 as applicable;
 - 2- Provided with a listed overfilling prevention device;
 - 3- Provided with a cylinder connection device compatible with the connection for the appliance.
- Always place the appliance on a firm and level surface.
- Solid fuels shall not be burned in this gas appliance. When using decorative Lava Rocks, use only the lava rocks we provided (INCLUDED).
- The appliance shall be used only outdoors in a well-ventilated space and shall not be used in a building, garage or any other enclosed area.
- When in use, keep the appliance area clear and at least 40 inches / 101.6 cm side clearance from combustible materials, gasoline and other flammable liquid and vapors. Do not use the appliance under overhead combustible surfaces. Certain items or materials, when stored under the appliance or nearby, will be subjected to radiant heat and could be damaged.
- Open the door and inspect the hose assembly and burner prior to each use. If there is evidence of excessive abrasion or wear or if the hose or burner is damaged, it must be replaced by appropriate part from the manufacturer.
- Inspect the gas connections of the appliance prior to each use. Do not to operate the unit if there is a

gas leak. Have the appliance inspected annually by a qualified service person.

- The pressure regulator and hose assembly provided with the appliance must be used. The replacement part must be the same as the part specified by manufacturer.
- The assembly of LP-gas and leak checking please refer to the “Gas connection” on page 8 and “leak Test” on page 9.
- **Children and adults should be alerted to the hazards of high surface temperatures and should stay away to avoid burns or prevent clothing ignition.**
- **Young children and pets should be carefully supervised when they are in the area of the appliance.**
- **Any guard or other protective device removed for servicing the appliance must be replaced prior to operation.**
- **Clothing or other flammable materials should not be hung from the appliance or placed on or near the appliance.**
- Do not use the appliance if any part has been under water. Immediately call a qualified technician to inspect the appliance and to replace any part of the control system and any gas control which has been under water.
- LP-gas supply cylinder to be used must be constructed and marked in accordance with the specifications for LP-gas cylinders of the U.S. Department of Transportation (DOT).
- The cylinder supplies system must be arranged for vapor withdrawal and the cylinder must include a collar to protect the cylinder valve.
- Use only 20 lb / 9 kg LP-Gas cylinders.
- Do not burn wood or any other materials in this appliance.
- The appliance must be isolated from the gas supply piping system by closing its individual manual shutoff valve during any pressure testing of the gas supply piping system at test pressure equal to or less than 1/2psi (3.5kPa).
- That other cylinder may be acceptable for use with the appliance provided they are compatible with the appliance retention means and accompanied by illustration(s) depicting the cylinder mounted to the appliance utilizing the cylinder retention means and the point of contact between the cylinder and the retention means.
- Properly place the hose out of pathways where people may trip over it or in areas where there may be subject to accidental damage.
- The burner must be replaced prior to the appliance being put into operation if it is evident that the burner is damaged. The replacement burner must be the same as the part specified by manufacturer.
- The cleaning of the appliance including the burner, please refer to “Clean and Maintenance” on page 11.



EXPANDED VIEW

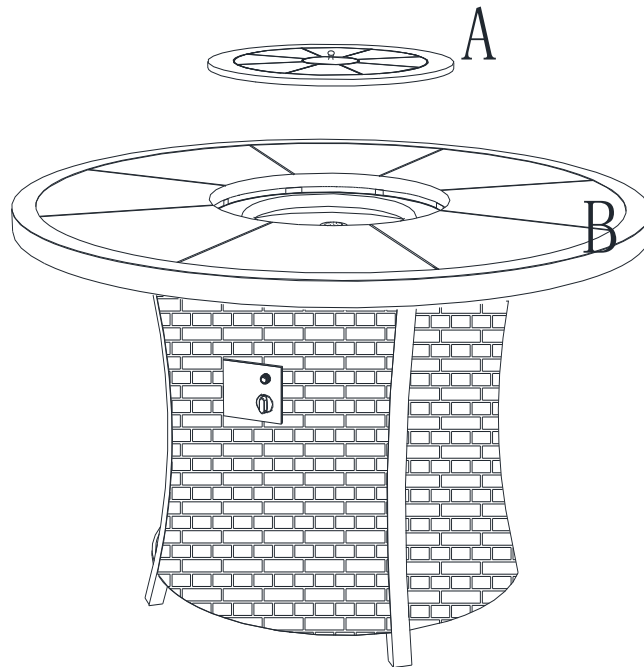


Parts List

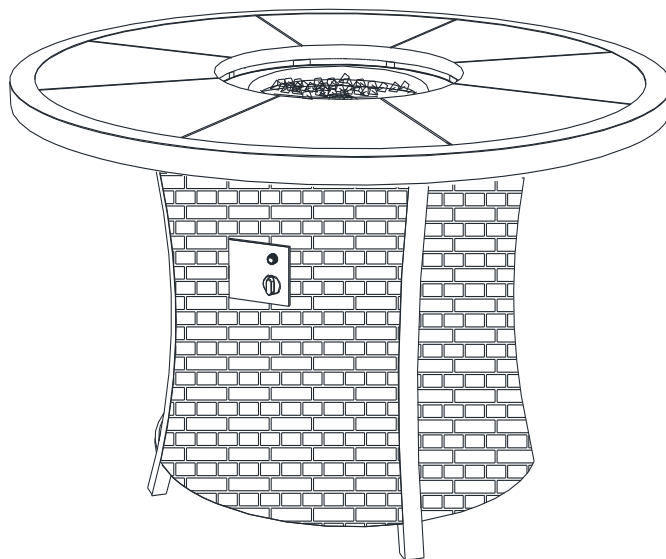
NO.	Part NO	Description	Qty
A	P20702A01118	Lid	1
B	P22104A01118	Main Body	1
C	P99903A01902	Lava rock	1(3KG)

INSTALLATION

Installation will be much easier with two or more people.



Step1: Place the lid (A) on the top (B).



Step 2: The lava rock (C) should be put into the bottom of the fire bowl and come up just as high as the fire ring.

LOCATION

Your Gas appliance must be installed on a flat, stable surface, away from any combustible materials or construction.

SET-UP

Your Gas appliance comes assembled, ready for a Gas connection.

- 1- Remove the appliance from container box and place it on any level, outdoor, non-combustible surface.

NOTE: Do not place this appliance on grass or dirt area. This may prevent proper safety venting.

- 2- Open the gas door and put the cylinder inside.
- 3- Unscrew the battery box as shown in Fig 7. Insert the negative electrode side of the battery into the bottom of battery box as shown in Fig 8. Then screw the battery box as shown in Fig 9.

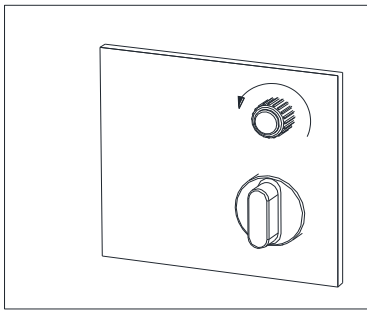


Fig 7

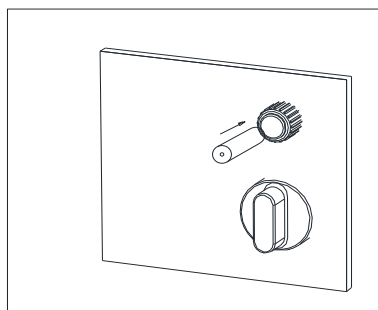


Fig 8

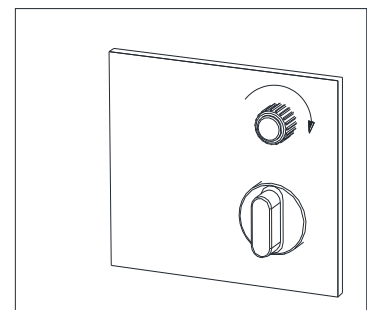


Fig 9

Note: If the battery of the pulse electronic igniter runs out of power, please replace the new battery as above.

Gas Connection

- 1- Open the door and put the chain and control valve outside. See Fig 10.
- 2- Put the cylinder into the cylinder rack. See Fig 11.
- 3- Connect the regulator and the cylinder as per Fig.12. Make sure there is no leakage or damage (please refer to "Leak Test" on page 9 and the damage checking on page 4).
- 4- Turn the butterfly nut on the cylinder frame, so that the nut is held against the bottom of the cylinder, to make sure the cylinder can be fixed. See Fig 13.
- 5- Disconnect the regulator and the cylinder as per Fig.14.

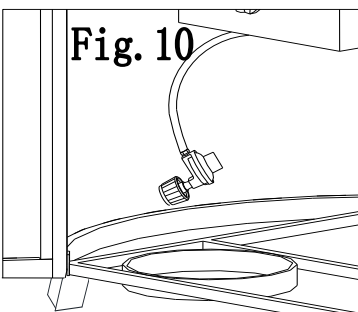


Fig. 10

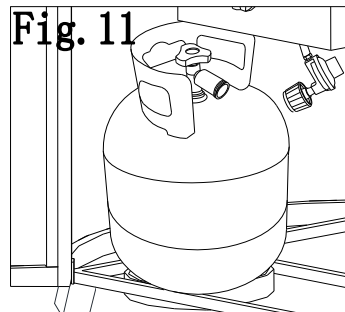


Fig. 11

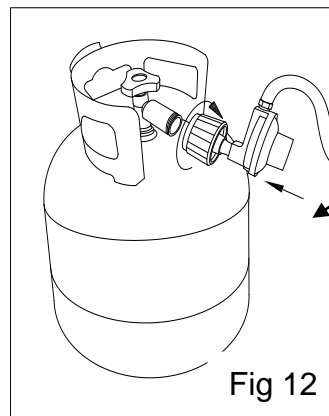


Fig 12

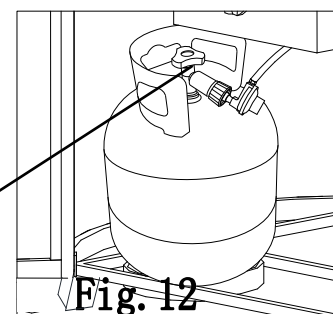
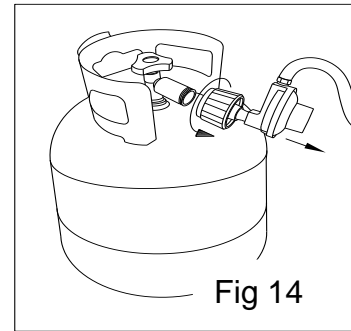
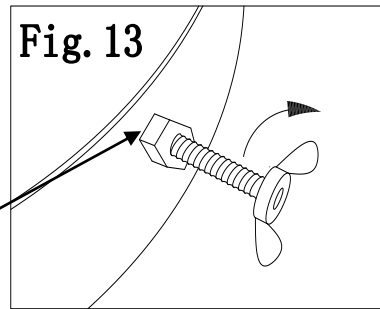
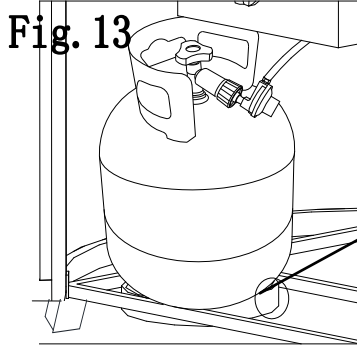


Fig. 12



OPERATION:

LEAK TEST

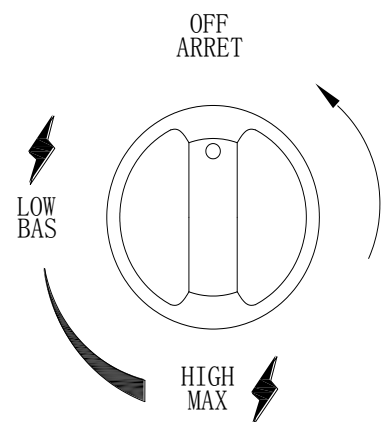
!!!WARNING!!!

- Do not use an open flame to check for leaks.
- Do not smoke during testing.
- Do not test indoors.
- A leak check must be performed whenever the gas cylinder is replaced.

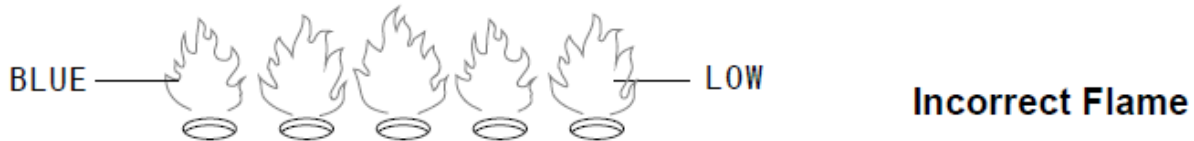
1. Make sure the control knob is in the “OFF” position.
2. Make sure the gas cylinder is correctly and securely connected to the pressure regulator, without over tightening.
3. Turn on the gas cylinder valve. Apply 50% soap and 50% water solution to the gas hose and connections between the control knob and gas cylinder.
4. If something is leaking, you will see bubbles form. In case of leaks, turn off the gas supply, undo the leaking connection, re-connect it and try again. If the leak persists, consult Customer Service Center for assistance.
5. If the connection does not leak, continue to the next step.

LIGHTING THE BURNERS

1. Make sure control valve is OFF.
2. Turn on gas tank valve.
3. Press in and turn control valve knob counterclockwise to LOW to light. See the figure to the right.
4. If burner is lit, continue pressing in the control valve knob for a minute to heat the thermocouple.
5. When control valve knob is released, the burner should be lit. If not, turn control valve knob clockwise to OFF. Wait for 5 minutes then start with step 3 above.
6. Press in and turn control valve knob to desired heat output, LOW ~ HIGH.



NOTE: While in use, the burner flame should be mainly blue in appearance with a small amount of yellow. The flame can be identified by the following figure.



Warning: Lighting the Fire Pit improperly could lead to an unsafe condition.

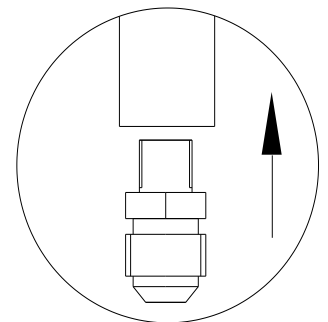
7. Press in and turn the control valve knob clockwise to OFF to shut down fireplace. Close the gas cylinder valve when the fireplace is not in use.

(**CAUTION:** Do not kink flexible gas hose. If it is kinked, a gas leak could occur.)

STORAGE AND MAINTENANCE:

To obtain the best performance from your fireplace, you must perform the following storage and maintenance activities on a regular basis:

- Allow at least 35 minutes for the fireplace to cool down after use, before disconnecting and removing the gas cylinder.
- Store the gas cylinder in a dry, well-ventilated and sheltered area protected from inclement weather and dust, out of the reach of children, and not in a building, garage or any other closed area.
- The fireplace may be stored indoors only if the cylinder is disconnected and removed.
- Keep the fireplace area clear and free from combustible materials, gasoline and other flammable vapors and liquids.
- **Installation and repair should be done by a qualified service person. The fireplace should be inspected before use and at least annually by a qualified service person. More frequent cleaning may be required as necessary. It is imperative that the control compartment, burner, and circulating air passageways of the fireplace be kept clean.**
- If you disassemble the burner when cleaning the fireplace, please reassemble it according to the picture on the right to make sure the burner induction tunnel is on and exactly cover the orifice base. **It is imperative that the control compartment, burner, and circulating air passageways of the fireplace be kept clean.** It is recommended not to disassemble the burner.
- Permanent installation and repair should be done by a qualified service person. The fireplace should be inspected annually by a qualified service person.



TROUBLE SHOOTING:

PROBLEM OBSERVED	POSSIBLE CAUSE	CORRECTIVE MEASURES
Gas odor	Gas leak	See “If you smell gas:” on front cover of manual Check all gas connections
Delayed ignition	Low gas pressure Clogged or dirty burner ports Blocked orifice Spent battery	Check gas supply pressure Clean burner ports-see manual section Check orifice opening Change new battery
Incorrect burner flame	Incorrect gas supply or pressure Blocked orifice Clogged or dirty burner ports	Check gas supply pressure Check and clean orifice opening Clean burner ports

If you want to replace the parts listed, please contact SUNJOY Customer Service Center.

LIMITED WARRANTY:

Subject to the conditions set out below, this product is warranted to the original purchaser to be free from defects in workmanship and materials for **one (1) year** from the date of purchase.

- Satisfactory proof of the purchase date must be furnished at the time of notification of the defect for any claim under the warranty to be enforceable.
- This warranty covers all parts found defective in workmanship and/or materials during the warranty period and can be repaired or replaced at the discretion of the manufacturer at no cost to the original purchaser.
- This warranty will be void if the product has not been assembled, installed or operated according to the instructions, or subjected to abuse, improperly treated, neglected, rusted by exposure to the elements, misused and/or if any repairs, maintenance, or service has been done by an unauthorized person.
- Returns must be properly packaged and returned to the dealer from whom the product was acquired.
- The manufacturer, distributor and retailer will not be liable for any incidental or consequential loss or damage arising from the installation or operation of the product and/or the failure of any part for any reason.
- There are no other express or implied warranties, except for those stipulated herein. This warranty gives specific rights and the original purchaser may have additional rights and remedies in law.
- This warranty does not cover commercial use.

CLEANING AND MAINTENANCE

- To enjoy outstanding performance of your appliance for years make sure to perform the following maintenance activities on a regular basis.
- Keep exterior surfaces clean.
- Use warm soapy water for cleaning. Never use flammable, corrosive or abrasive cleaners.

- Clean the holes in the burner using a swab that is moistened with soapy water. Keep the holes unobstructed by using a heavy-duty pipe cleaner. The burner must be dry before normal use. Cleaning period should be 1 year.
- While washing your unit, be sure to keep the area around the burner and pilot assembly dry at all times. If the gas control is exposed to water in any way, DO NOT try to use it. It must be replaced.
- After a long break from operation, the unit should be inspected for spiders, spider webs or other insects.
- Air flow must be unobstructed, Keep controls, Burner and circulating air passageways clean.
Signs of possible blockage include:
 - Gas odor with extreme yellow tipping of flame.
 - Table does NOT reach the desired temperature.
 - Table flow is excessively uneven.
 - Table makes popping noises.
 - Spider and insects can nest in burner or orifices.
 - Compressed air may help clear away smaller particles.