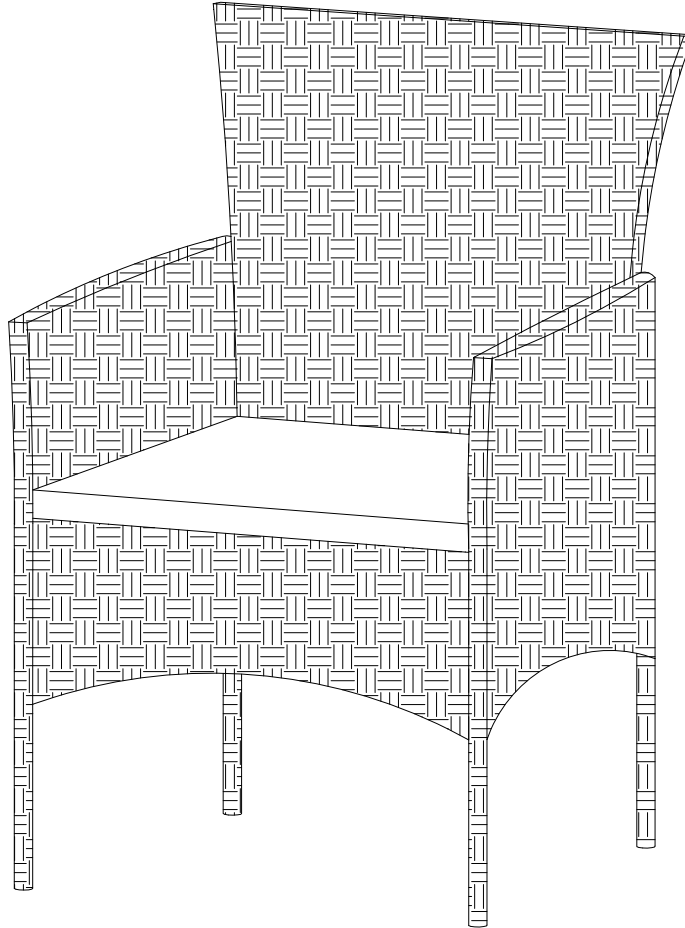


# ASSEMBLY INSTRUCTIONS

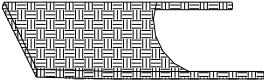

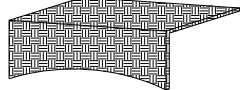
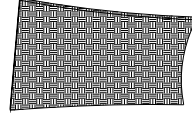

## ITEM#: D-DN2138SST Chair

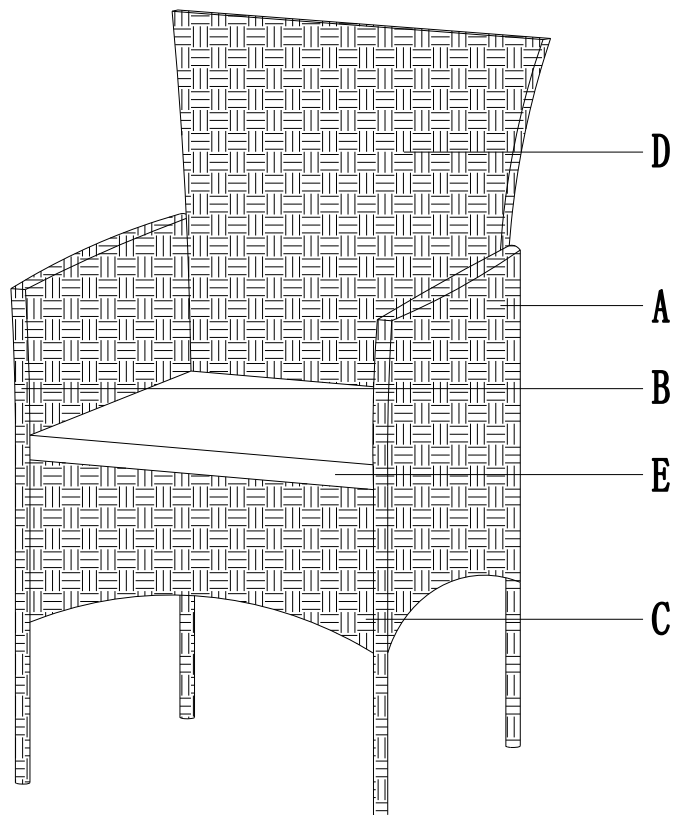


### **Warning**

- Some parts may contain sharp edges. When assembling and using this product, basic safety precautions should always be followed to reduce the risk of personal injury and damage to the product. Please read all instructions before assembly and use.
- Check all bolts for tightness before use, and periodically check and tighten bolts as necessary.

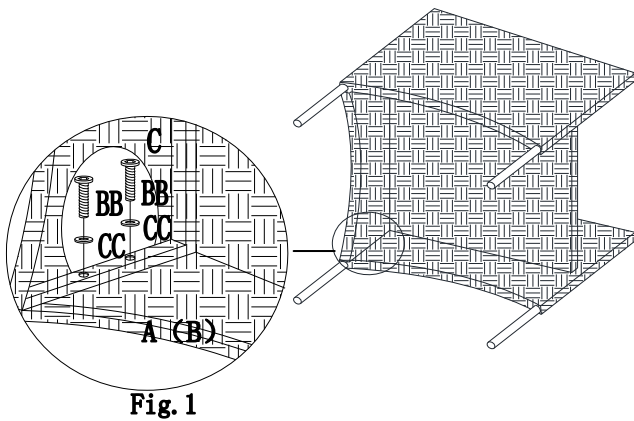
**Important:** For technical assistance on assembly or replacement parts, please call Sunjoy Industries at 1(866) 578-6569 from 8:00 AM EST to 8:00 PM PST. You may email to [customer.care@sunjoygroup.com](mailto:customer.care@sunjoygroup.com) or visit [www.sunjoyonline.com](http://www.sunjoyonline.com) to place your order or fax your parts replacement order form (which is included in the packaging) together with your purchase receipt to 1 (740) 283-3549 for assistance.

PARTS LIST				
Label	Part Number	Description	QTY	Image of Part
A	DNC2138XXX01	Armrest (L)	1	
B	DNC2138XXX02	Armrest (R)	1	
C	DNC2138XXX03	Seat panel	1	
D	DNC2138XXX04	Chair back	1	
E	DNC2138XXX05	Cushion	1	



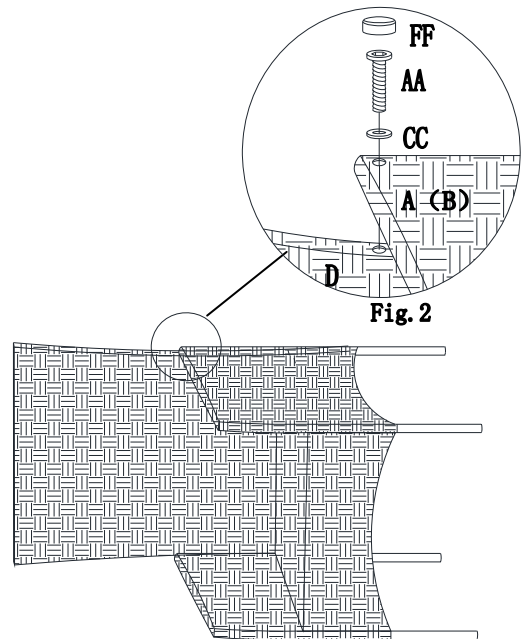
HARDWARE PACK			
Label	Part Number	Description	QTY
AA	PAM06040D	Bolt M6x40	4
BB	PAM06030D	Bolt M6x30	4
CC	VD06D	Washer M6	10
DD	A04D	Allen key M6	1
EE	PAM06035D	Bolt M6x35	2
FF	GM064W	Cap	2

## ASSEMBLY STEPS



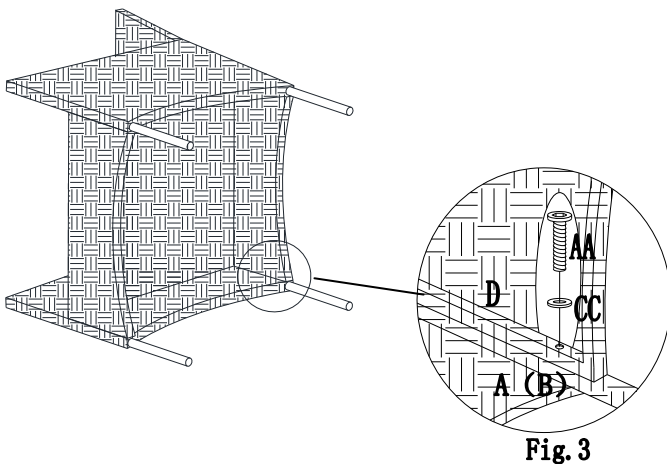
### Step 1.

Secure Armrest (A/B) and Seat panel (C) together with Bolt (BB) and Flat washer (CC). Tighten them by using Allen key (DD).



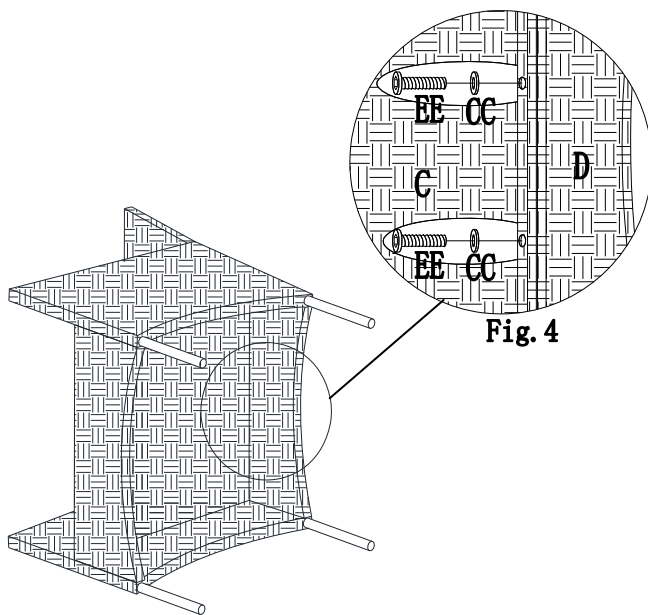
### Step 2.

Attach Armrest (A/B) and Chair back (D) together with Bolt (AA), Flat washer (CC). Tighten them by using Allen key (DD) and then screw Cap (FF) on.



### Step 3.

Attach Armrest (A/B) and Chair back (D) together with Bolt (AA) and Flat washer (CC). Tighten them by using Allen key (DD).



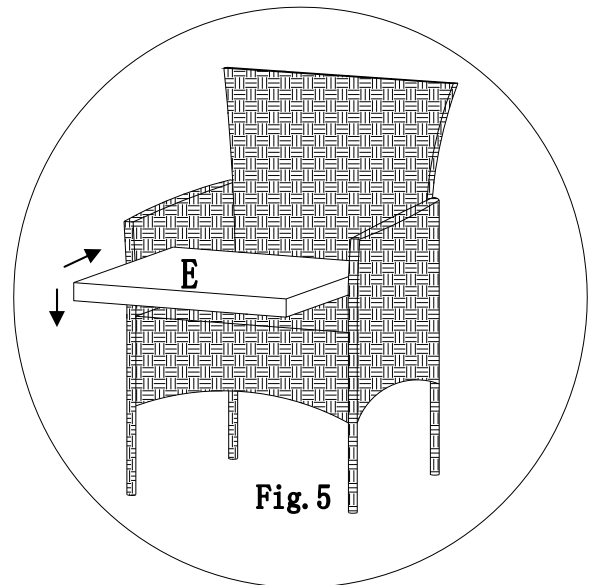
#### Step 4.

Secure Seat panel (C) and Chair back (D) together with Bolt (EE) and Flat washer (CC). Tighten them by using Allen key (DD)

#### Step 5.

Place Cushion on the assembled chair.

Now your chair is ready for use.



### Care & Maintenance:

- Before using, clean the product completely with a soft dry towel.
- When not in use, wipe free of any dirt or loose objects, wash with a mild solution of soap and water; rinse thoroughly and dry completely. Do not use strong detergent or abrasive cleaners.
- Steel components of garden accessories and furniture are treated with rust inhibiting paint. However, due to the nature of steel, surface oxidation (rusting) will occur if this protective coating is scratched.
- To minimize this condition, it is recommended that care be taken when assembling and handling the product, in order to prevent the paint from being scratched.

**Limited Warranty:** The item is warranted to be free from defects in material or workmanship for a period of twelve (12) months. However, we do not reimburse for transportation or delivery costs, nor compensate the individual or any outside party for assembling or disassembling the product. This limited warranty is extended to the original purchaser and applies to defects in materials and workmanship of your item, provided the item is maintained with care and used only for personal residential purposes.

### Exclusions

Items used for commercial, contract, or other non-residential purposes, or items damaged due to acts of nature, vandalism, misuse, or improper assembly are not covered. Corrosion or rusting of hardware is not covered. Proof of purchase (dated register receipt) is required for warranty claims. Warranty is to the original purchaser and is non-transferable. Any replacement of warranted items will be in the original style and color or a similar style and color if the original is unavailable or has been discontinued. As some states do not allow exclusions or limitations on an implied warranty, the above exclusions and limitations may not apply. This warranty gives you specific rights, and you may also have other rights, which vary from state to state.