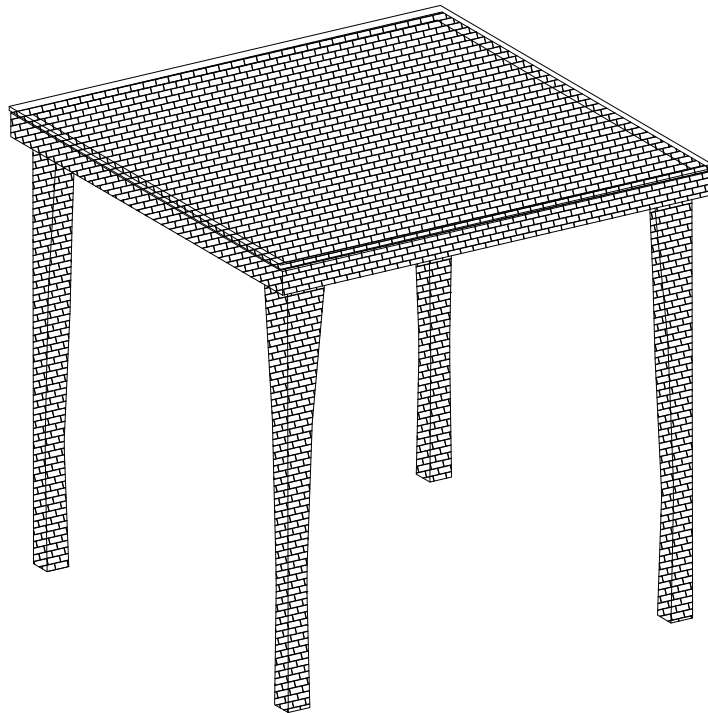


ASSEMBLY INSTRUCTIONS

S-DN1813SST Table



Warning

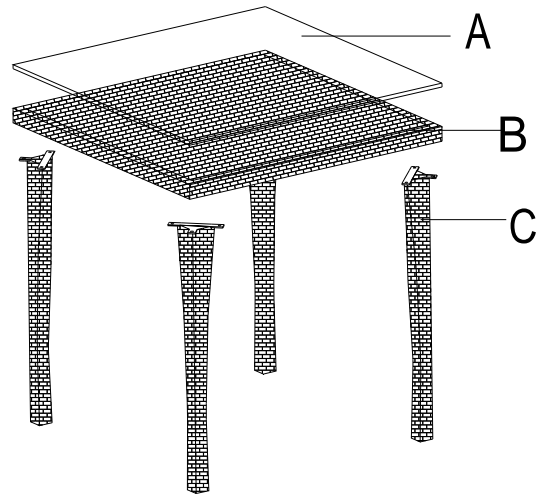
- Some parts may contain sharp edges. When assembling and using this product, basic safety precautions should always be followed to reduce the risk of personal injury and damage to the product. Please read all instructions before assembly and use.
- Check all bolts for tightness before use, and periodically check and tighten bolts as necessary.

Important: For technical assistance on assembly or replacement parts, please call Sunjoy Industries at 1(866) 578-6569 from 8:00 AM EST to 8:00 PM PST or email to customer.care@sunjoygroup.com or visit www.sunjoyonline.com to place your order or fax your parts replacement order form together with your purchase receipt to 1-740-283-3549 for assistance.

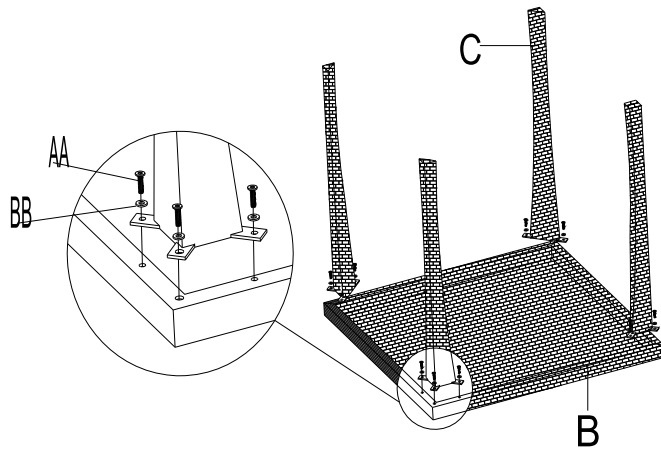
Limited Warranty: The item is warranted to be free from defects in material or workmanship for a period of **12** Months. However, we don't reimburse for transportation or delivery costs, or compensate the individual or any outside party for assembling or disassembling the product. This limited warranty is extended to the original purchaser and applies to defects in materials and workmanship of your item, provided the item is maintained with care and used only for personal residential purposes.

Parts List		
Part#	Description	QTY
A	Glass top piece	1
B	Table top	1
C	Table leg	4

Hardware List		
Part#	Description	QTY
AA	Bolt M6x20	12
BB	Flat washer M6	12
CC	Wrench M6	1



ASSEMBLY STEPS:



Step 1:

Attach Table leg (C) onto Table top (B) with Bolt (AA), Washer (BB).

Step 2:

Turn upside the table and place and press Glass top piece (A) onto it so that it can stick with the table top firmly.

Now your table is ready for use.

