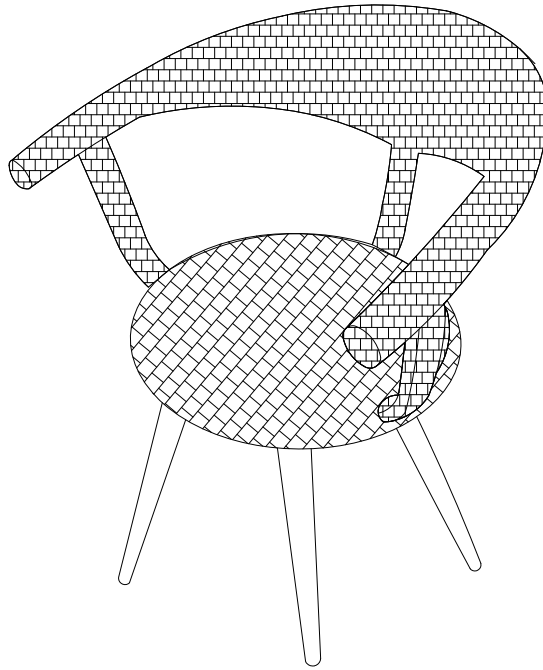


# ASSEMBLY IINSTRUCTIONS

## S-DN1812SST Chair



### **Warning**

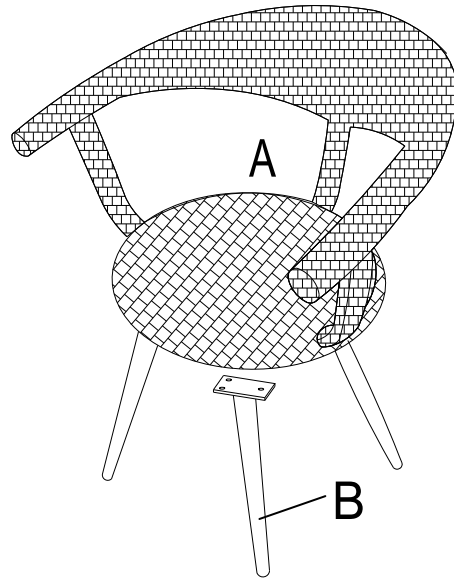
- Some parts may contain sharp edges. When assembling and using this product, basic safety precautions should always be followed to reduce the risk of personal injury and damage to the product. Please read all instructions before assembly and use.
- Check all bolts for tightness before use, and periodically check and tighten bolts as necessary.

**Important:** For technical assistance on assembly or replacement parts, please call Sunjoy Industries at 1(866) 578-6569 from 8:00 AM EST to 8:00 PM PST or email to [customer.care@sunjoygroup.com](mailto:customer.care@sunjoygroup.com) or visit [www.sunjoyonline.com](http://www.sunjoyonline.com) to place your order or fax your parts replacement order form together with your purchase receipt to 1-740-283-3549 for assistance.

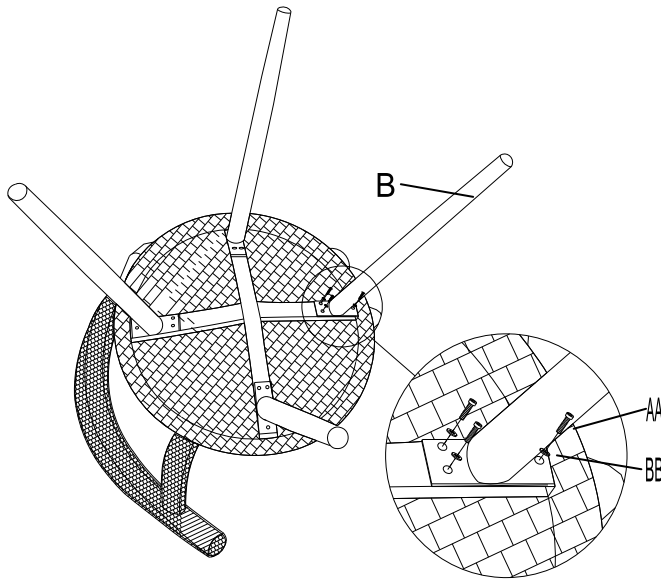
**Limited Warranty:** The item is warranted to be free from defects in material or workmanship for a period of **12** Months. However, we don't reimburse for transportation or delivery costs, or compensate the individual or any outside party for assembling or disassembling the product. This limited warranty is extended to the original purchaser and applies to defects in materials and workmanship of your item, provided the item is maintained with care and used only for personal residential purposes.

Parts List		
Part#	Description	QTY
A	Chair seat	1
B	Chair leg	4

Hardware List		
Part#	Description	QTY
AA	Bolt M6x16	12
BB	Flat washer M6	12
CC	Wrench	1



**ASSEMBLY STEPS:**



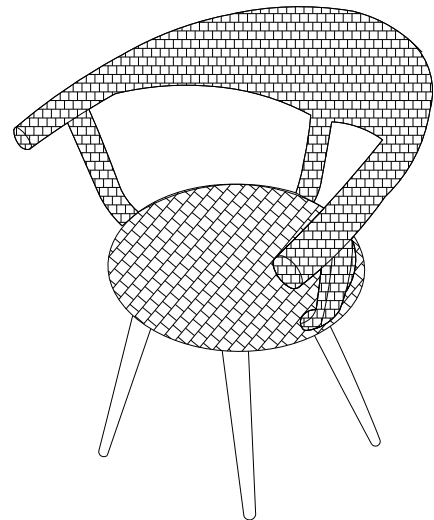
**Step 1:**

Attach Chair leg (B) onto Chair seat (A) with Bolt (AA) and Washer (BB).

**Step 2:**

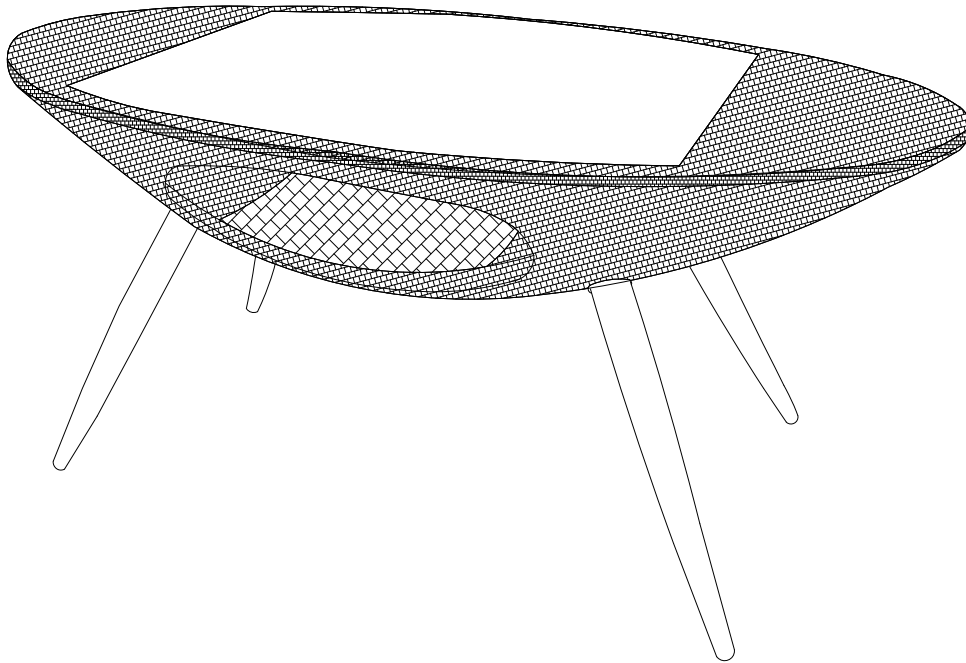
Turn upside the assembled chair.

**Now your chair is ready for use.**



# ASSEMBLY INSTRUCTIONS

## S-DN1812SST Table



### **Warning**

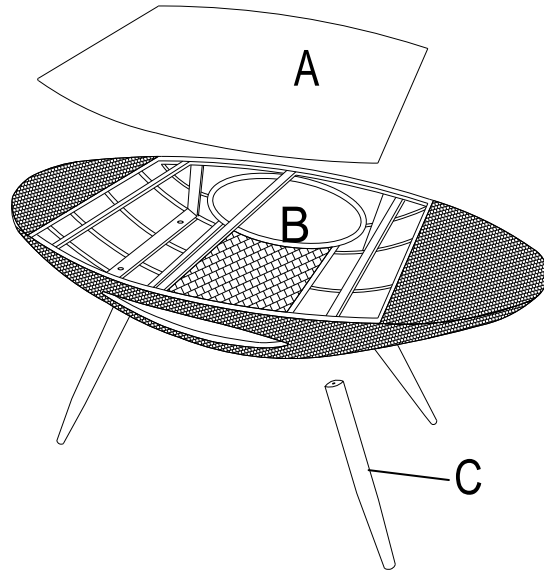
- Some parts may contain sharp edges. When assembling and using this product, basic safety precautions should always be followed to reduce the risk of personal injury and damage to the product. Please read all instructions before assembly and use.
- Check all bolts for tightness before use, and periodically check and tighten bolts as necessary.

**Important:** For technical assistance on assembly or replacement parts, please call Sunjoy Industries at 1(866) 578-6569 from 8:00 AM EST to 8:00 PM PST or email to [customer.care@sunjoygroup.com](mailto:customer.care@sunjoygroup.com) or visit [www.sunjoyonline.com](http://www.sunjoyonline.com) to place your order or fax your parts replacement order form together with your purchase receipt to 1-740-283-3549 for assistance.

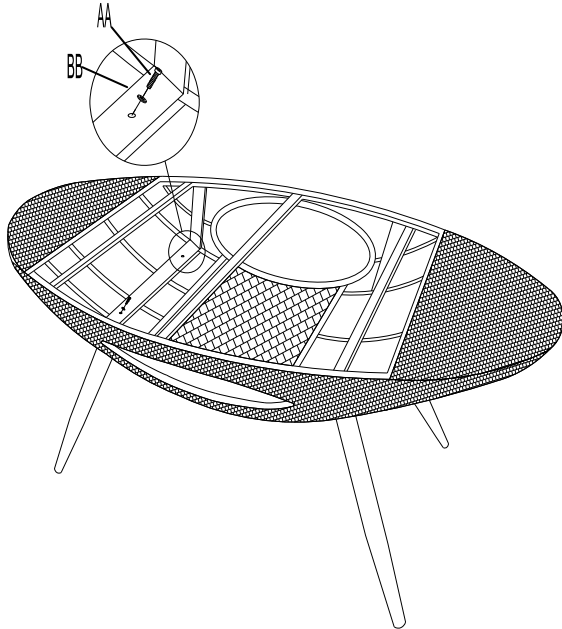
**Limited Warranty:** The item is warranted to be free from defects in material or workmanship for a period of **12** Months. However, we don't reimburse for transportation or delivery costs, or compensate the individual or any outside party for assembling or disassembling the product. This limited warranty is extended to the original purchaser and applies to defects in materials and workmanship of your item, provided the item is maintained with care and used only for personal residential purposes.

Parts List		
Part#	Description	QTY
A	Glass top piece	1
B	Table top	1
C	Table leg	4

Hardware List		
Part#	Description	QTY
AA	Bolt M6x40	4
BB	Flat washer M6	4
CC	Wrench M6	1



## **ASSEMBLY STEPS:**



### **Step 1:**

Attach Table leg (C) onto Table top (B) with Bolt (AA) and Washer (BB).

### **Step 2:**

Put Glass top piece (A) on the top.

**Now your chair is ready for use.**

