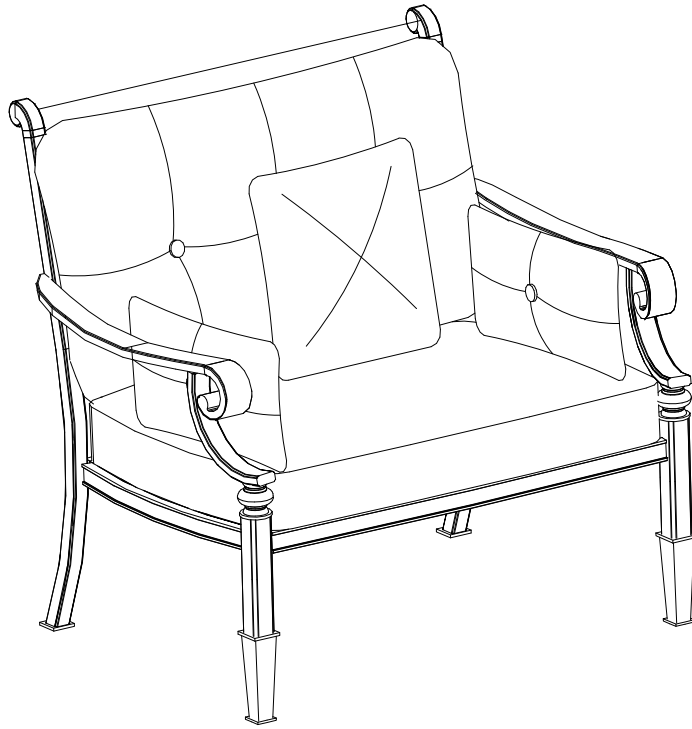


ASSEMBLY INSTRUCTIONS

D-DN1536SAL Chair



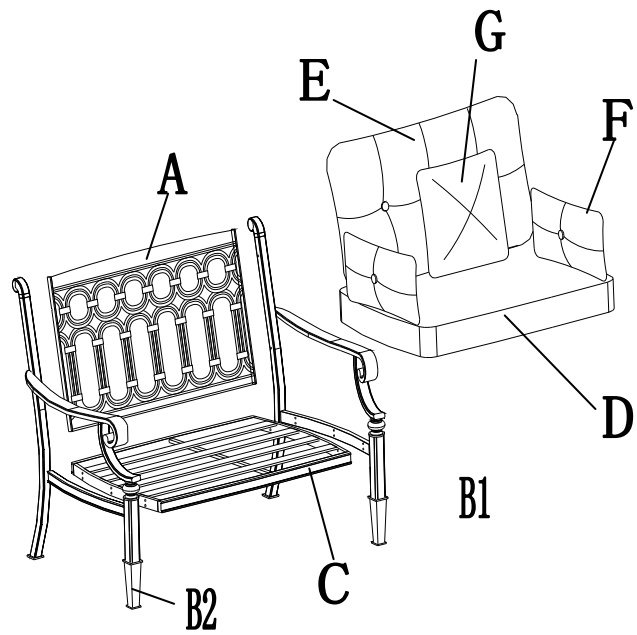
Warning

- Some parts may contain sharp edges. When assembling and using this product, basic safety precautions should always be followed to reduce the risk of personal injury and damage to the product. Please read all instructions before assembly and use.
- Check all bolts for tightness before use, and periodically check and tighten bolts as necessary.

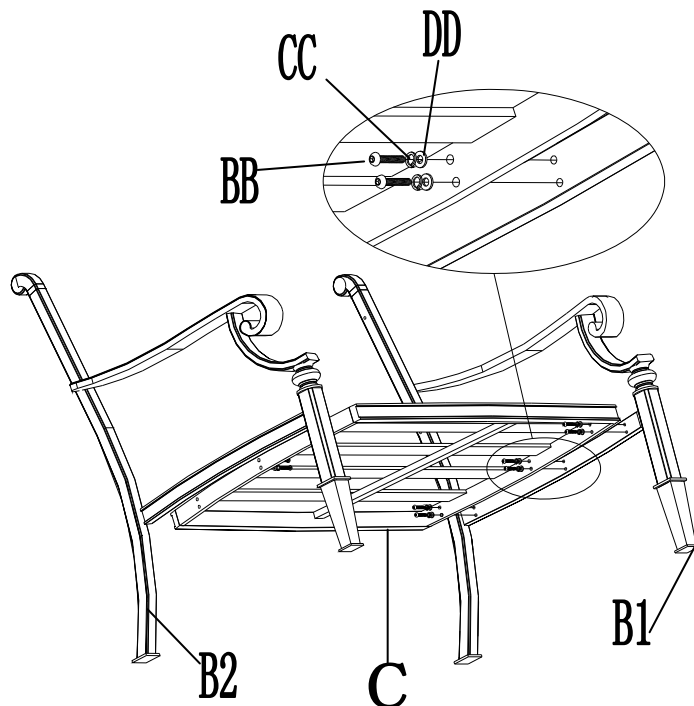
Important: For technical assistance on assembly or replacement parts, please call Sunjoy Industries at 1(866) 578-6569 from 8:00 AM EST to 8:00 PM PST or email to customer.care@sunjoygroup.com or visit www.sunjoyonline.com to place your order or fax your parts replacement order form together with your purchase receipt to 1-740-283-3549 for assistance.

Limited Warranty: The item is warranted to be free from defects in material or workmanship for a period of **12** Months. However, we don't reimburse for transportation or delivery costs, or compensate the individual or any outside party for assembling or disassembling the product. This limited warranty is extended to the original purchaser and applies to defects in materials and workmanship of your item, provided the item is maintained with care and used only for personal residential purposes.

Parts List		
Part#	Description	QTY
A	Chair back	1
B1	Armrest (right)	1
B2	Armrest (left)	1
C	Seat panel	1
D	Seat cushion	1
E	Back cushion	1
F	Lumbar	2
G	Throw pillow	1
AA	Bolt M6x20	4
BB	Bolt M6x35	12
CC	Spring washer M6	12
DD	Flat washer M6	12
EE	Wrench M6	1
FF	Foot pad (preassembled)	4

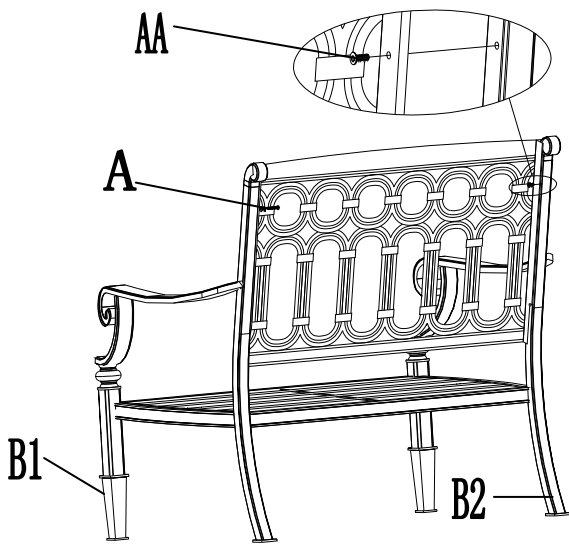


ASSEMBLY STEPS



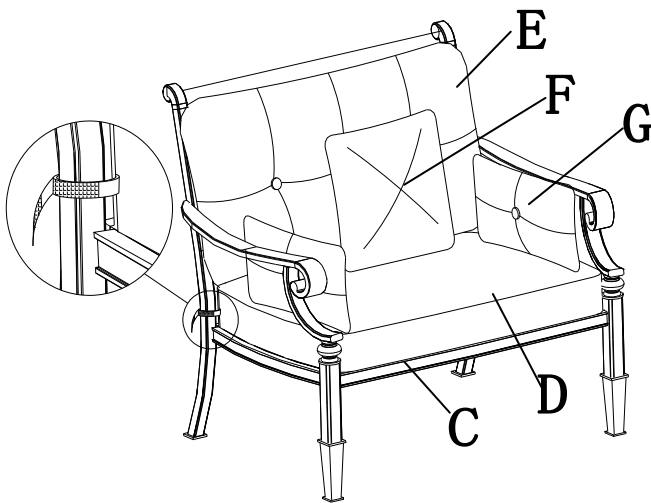
Step 1.

Attach Seat panel (C) and Armrest (B1/B2) together with Bolt (BB), Spring washer (CC) and Flat washer (DD). Do not fasten them at this step.



Step 2.

Attach Chair back (C) and Armrest (B1/B2) together with Bolt (AA). Fasten all the bolts at this step.



Step 3.

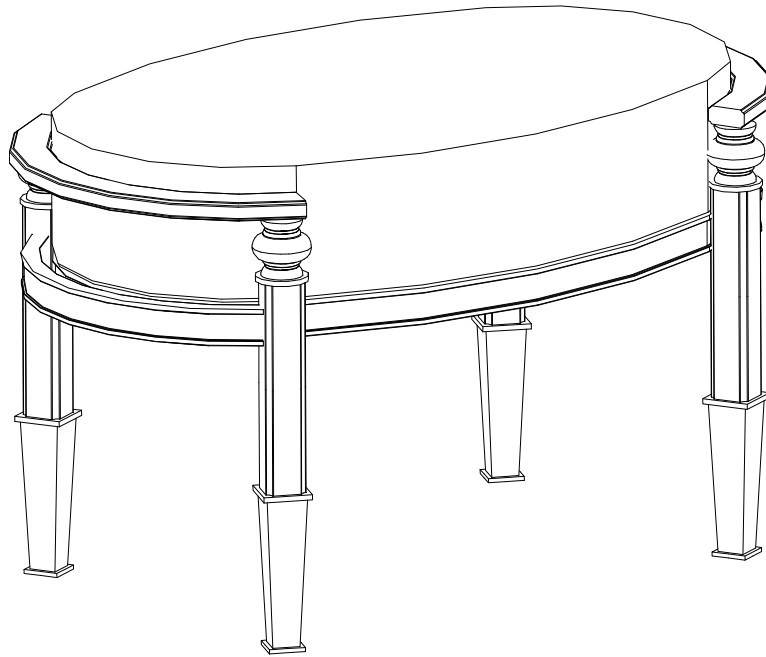
Place Seat cushion (D) and Back cushion (E) on the assembled chair and lock the loop and hook.

Place Lumbar (G) and Throw pillow (F) on respectively.

Now your chair is ready for use.

ASSEMBLY INSTRUCTIONS

D-DN1536SAL Ottoman



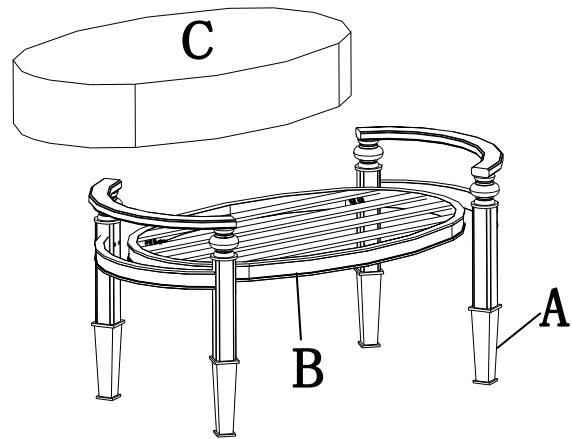
Warning

- Some parts may contain sharp edges. When assembling and using this product, basic safety precautions should always be followed to reduce the risk of personal injury and damage to the product. Please read all instructions before assembly and use.
- Check all bolts for tightness before use, and periodically check and tighten bolts as necessary.

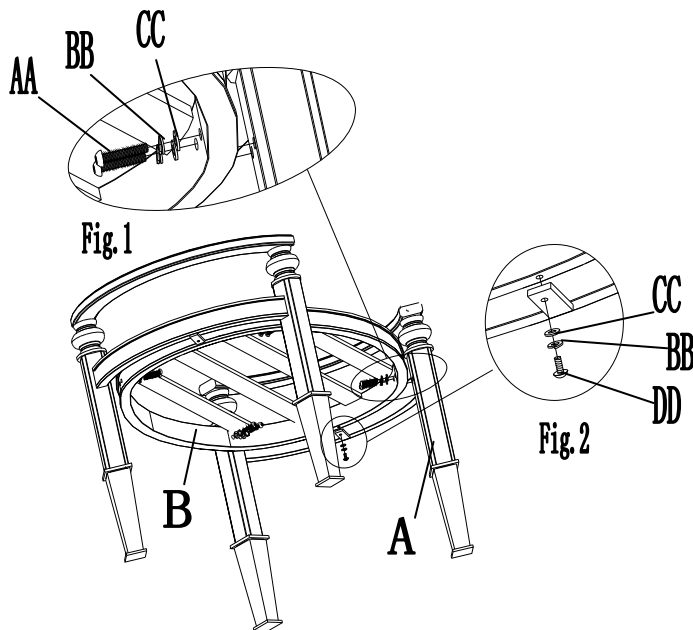
Important: For technical assistance on assembly or replacement parts, please call Sunjoy Industries at 1(866) 578-6569 from 8:00 AM EST to 8:00 PM PST or email to customer.care@sunjoygroup.com or visit www.sunjoyonline.com to place your order or fax your parts replacement order form together with your purchase receipt to 1-740-283-3549 for assistance.

Limited Warranty: The item is warranted to be free from defects in material or workmanship for a period of **12** Months. However, we don't reimburse for transportation or delivery costs, or compensate the individual or any outside party for assembling or disassembling the product. This limited warranty is extended to the original purchaser and applies to defects in materials and workmanship of your item, provided the item is maintained with care and used only for personal residential purposes.

Parts List		
Part#	Description	QTY
A	Ottoman leg	2
B	Seat panel	1
C	Cushion	1
AA	Bolt M6x35	8
BB	Spring washer M6	10
CC	Flat washer M6	10
DD	Bolt M6x20	2
EE	Wrench M6	1
FF	Foot pad (preassembled)	4



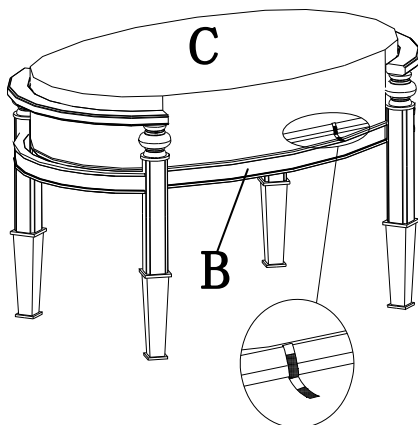
ASSEMBLY STEPS



Step 1

Attach Seat panel (B) and Ottoman leg (A) together with Bolt (AA), Spring washer (BB) and Flat washer (CC). See Fig.1.

Secure Seat panel (B) and Ottoman leg (A) together with Bolt (DD), Spring washer (BB) and Flat washer (CC). See Fig.2. Fasten all the bolts.



Step 2

Place Cushion (C) on the assembled ottoman and lock the loop and hook.

Now your ottoman is ready for use.