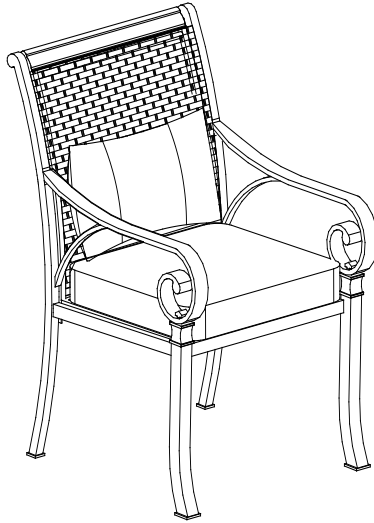


# Assembly Instructions

## L-DN1408SAL-B (Chair)



Congratulations on your purchase of our SUNJOY products. Our clear, easy to follow, step-by-step instructions will guide you through the assembly process from start to finish.

### **WARNING:**

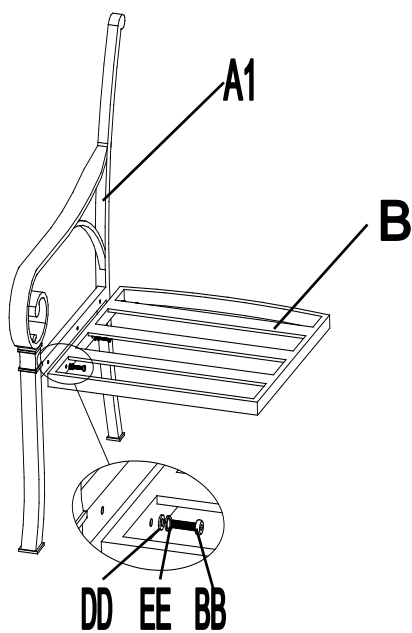
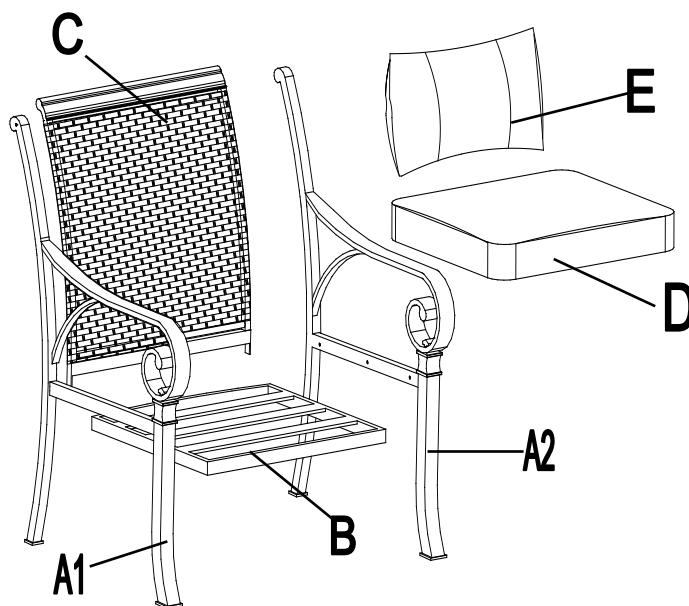
- This unit is heavy. Do not assemble this item alone. 2 more adults are recommended for safe assembly.
- Keep all children and pets away from assembly area. Children and pets should be supervised when they are in the area of the Table construction.
- Keep assembly area at least 6 feet from any obstruction such as a fence, garage, house, overhanging branches, laundry line or electrical wires.
- Some parts may contain sharp edges. When assembling and using this product, basic safety precautions should always be followed to reduce the risk of personal injury and damage to the product. Please read all instructions before assembly and use.
- Check all bolts for tightness before use, and periodically check and tighten bolts as necessary.
- Prepare a carpet or something else to protect the table top during assembling.
- Assemble on level ground.
- For outdoor use only.

### **IMPORTANT**

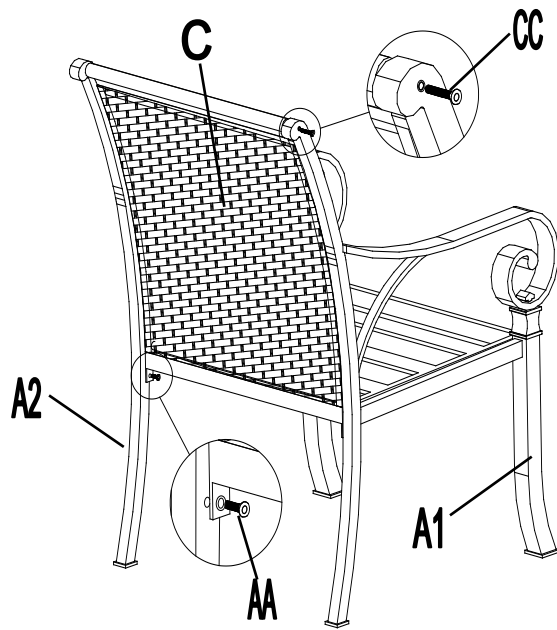
Please take time to read these instructions thoroughly and follow each step carefully for safe and easy operation. Keep this manual for future reference.

For technical assistance on assembly or replacement parts, call Sunjoy Industries at 1-866-578-6569 from 8:30AM to 5:30PM EST, or email us at [customer.care@sunjoygroup.com](mailto:customer.care@sunjoygroup.com), or visit [www.sunjoyonline.com](http://www.sunjoyonline.com) for assistance.

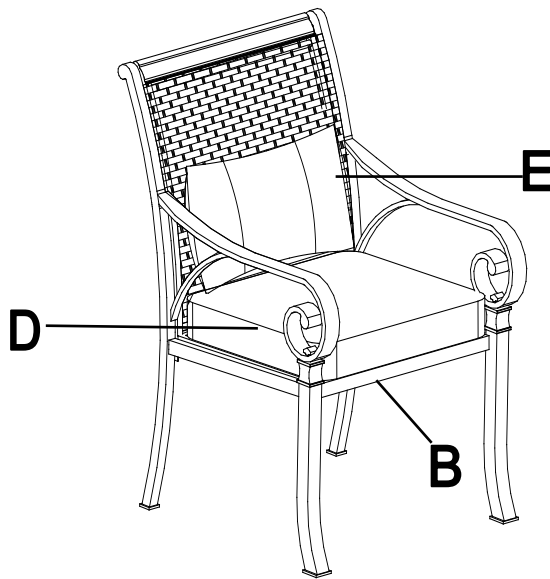
No.	Description	Qty.
A1	Right arm	1
A2	Left arm	1
B	Seat board	1
C	Chair back	1
D	Cushion	1
E	Lumbar	1
AA	Bolt M6*20	2
BB	Bolt M6*30	6
CC	Bolt M6*40	2
DD	Flat washer M6	6
EE	Spring washer M6	6
FF	Wrench M6	1



Step 1: Connect seat board (B) and right arm (A1) by using bolts (BB), spring washer (EE), flat washer (DD), then connect seat board (B) and left arm (A2) as this way, do not tighten bolts fully at this step.



Step 2: Attach the upper side of right arm (A1) to chair back (C) by using bolts (CC) and fix the lower side of right arm (A1) to chair back (C) by using bolts (AA), repeat it to left arm (A2), tighten all bolts fully at this step.



Step 3: Put the cushion (D) on the seat board (B) and fix it to the chair by velcro, and then put the lumbar under the cushion, now, the chair is ready to use.

**Care & Maintenance**

Before using, clean the product completely with a soft dry towel. When not in use, wipe free of any dirt or loose objects, wash with a mild solution of soap and water; rinse thoroughly and dry completely. Do not use strong detergent or abrasive cleaners.

**Limited Warranty:**

Sunjoy Industries warrants to the original purchaser that this item is free from defects in workmanship and materials for a period of 1 year from the date of purchase, provided the item was Factory-sealed at the time of purchase and is maintained with care and used only for personal, residential purposes. Should any manufacturing defect arise within this warranty period, Sunjoy Industries will repair or replace (at our option) any defective merchandise upon proof of purchase; however, transportation and delivery costs, as well as payments to a third party for assembly or disassembly of the item, remain the responsibility of the purchaser. A purchaser of an "open box," previously-returned, or "clearance" item, as well as original purchasers outside of the warranty period, may obtain replacement parts from Sunjoy Industries for products in current production, at nominal cost.

**Exclusions:**

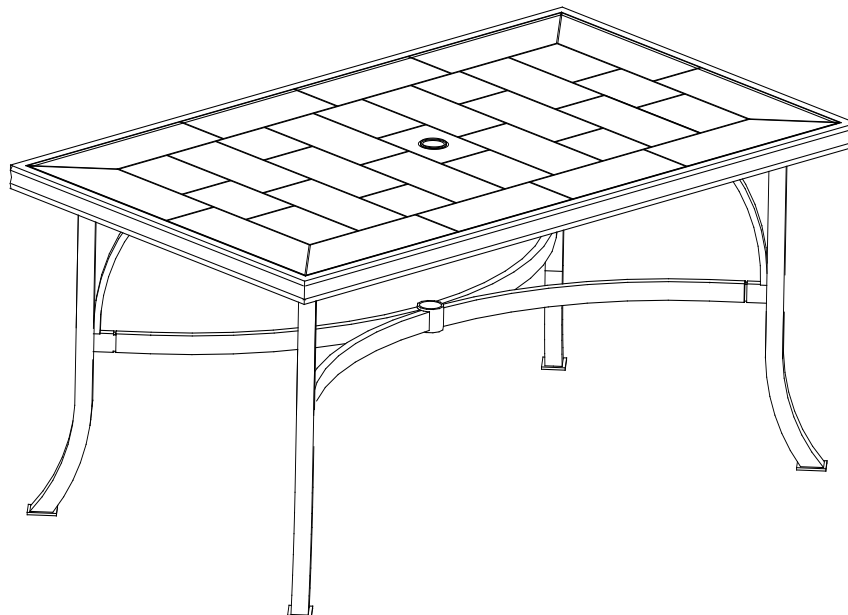
Items used for commercial, contract, or other non-residential purposes, or items damaged due to acts of nature, vandalism, misuse, or improper assembly are not covered. Corrosion or rusting of hardware is not covered. Proof of purchase (dated register receipt) is required for warranty claims. Warranty is to the original purchaser and is non-transferable. Any replacement of warranted items will be in the original style and color, or a similar style and color if the original is unavailable or has been discontinued. As some states do not allow exclusions or limitations on an implied warranty, the above exclusions and limitations may not apply. This warranty gives you specific rights, and you may also have other rights, which vary from state to state.

**Please do not return this product to the store.** For technical assistance on assembly or replacement parts, in the continental U.S., you can call us toll-free at 1-866-578-6569 from 8 a.m. to 5 p.m. CST Monday – Friday. In the continental Canada, you can call us toll-free at 1-844-SUNJOY1 (1-844-786-5691) from 8 a.m. to 5 p.m. CST Monday – Friday. You can also send us an email to [customer.care@sunjoygroup.com](mailto:customer.care@sunjoygroup.com) or visit [www.sunjoyonline.com](http://www.sunjoyonline.com) to place your order or fax your parts replacement order form together with your purchase receipt to 1 (740) 283-3549 for assistance.

Made in China

# Assembly Instructions

## L-DN1408SAL-B (Table)



Congratulations on your purchase of our SUNJOY products. Our clear, easy to follow, step-by-step instructions will guide you through the assembly process from start to finish.

### **WARNING:**

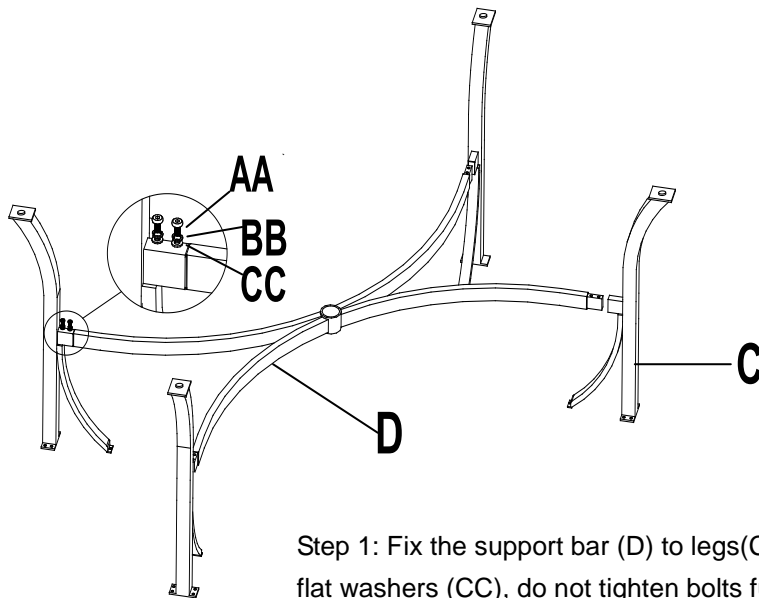
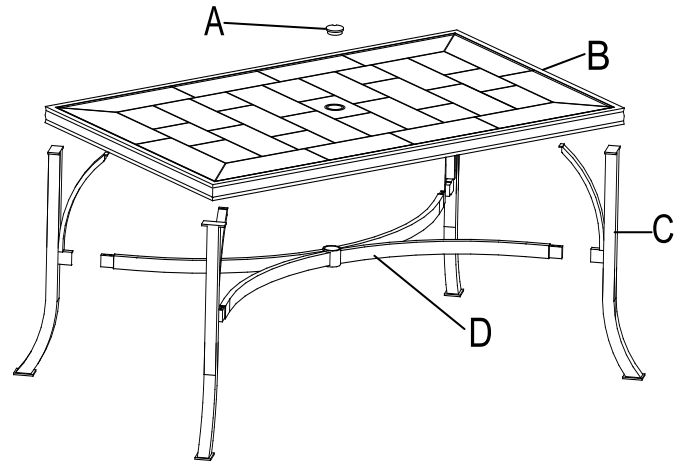
- This unit is heavy. Do not assemble this item alone. 2 more adults are recommended for safe assembly.
- Keep all children and pets away from assembly area. Children and pets should be supervised when they are in the area of the Table construction.
- Keep assembly area at least 6 feet from any obstruction such as a fence, garage, house, overhanging branches, laundry line or electrical wires.
- Some parts may contain sharp edges. When assembling and using this product, basic safety precautions should always be followed to reduce the risk of personal injury and damage to the product. Please read all instructions before assembly and use.
- Check all bolts for tightness before use, and periodically check and tighten bolts as necessary.
- Prepare a carpet or something else to protect the table top during assembling.
- Assemble on level ground.
- For outdoor use only.

### **IMPORTANT**

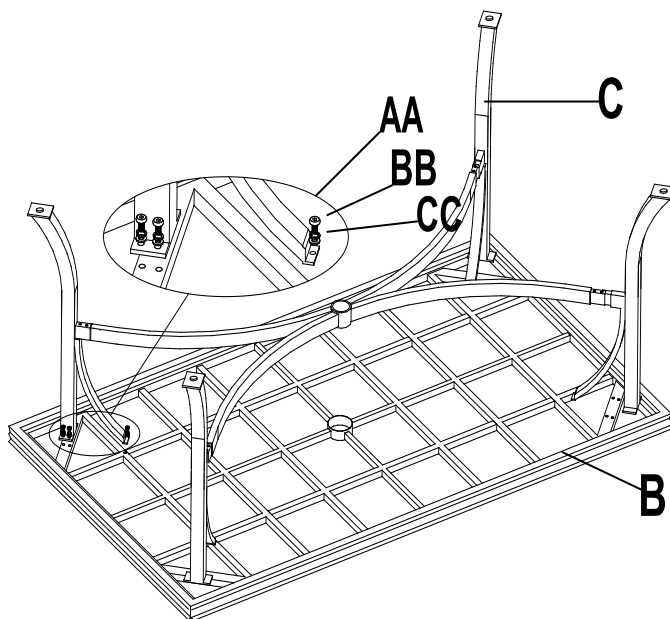
Please take time to read these instructions thoroughly and follow each step carefully for safe and easy operation. Keep this manual for future reference.

For technical assistance on assembly or replacement parts, call Sunjoy Industries at 1-866-578-6569 from 8:30AM to 5:30PM EST, or email us at [customer.care@sunjoygroup.com](mailto:customer.care@sunjoygroup.com), or visit [www.sunjoyonline.com](http://www.sunjoyonline.com) for assistance.

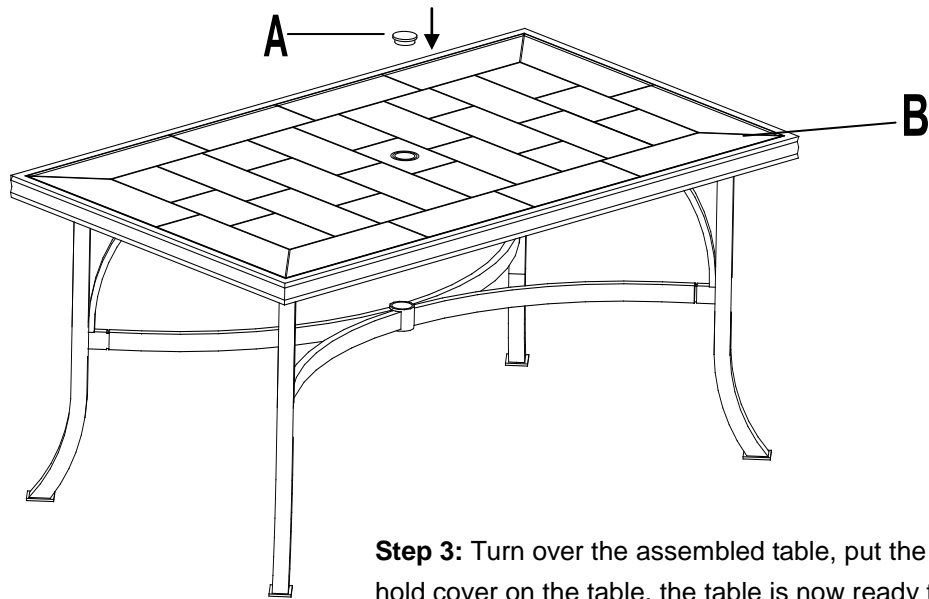
No.	Des.	Qty
A	Umbrella hole cover	1
B	Table top	1
C	Leg	4
D	Support bar	1
AA	<b>Bolt M6*25</b>	28
BB	Spring washer M6	28
CC	Flat washer M6	28
DD	Wrench M6	1
EE	Level pad (Pre-assembly)	4



**Step 1:** Fix the support bar (D) to legs(C) by using bolts (AA), spring washers (BB), flat washers (CC), do not tighten bolts fully at this step.



**Step 2:** Turn over table top (B), attach legs (C) to table (B) by using bolts (AA), spring washers (BB), flat washers (CC), tighten all bolts by using wrench (DD).



### Care & Maintenance

Before using, clean the product completely with a soft dry towel. When not in use, wipe free of any dirt or loose objects, wash with a mild solution of soap and water; rinse thoroughly and dry completely. Do not use strong detergent or abrasive cleaners.

### Limited Warranty:

Sunjoy Industries warrants to the original purchaser that this item is free from defects in workmanship and materials for a period of 1 year from the date of purchase, provided the item was Factory-sealed at the time of purchase and is maintained with care and used only for personal, residential purposes. Should any manufacturing defect arise within this warranty period, Sunjoy Industries will repair or replace (at our option) any defective merchandise upon proof of purchase; however, transportation and delivery costs, as well as payments to a third party for assembly or disassembly of the item, remain the responsibility of the purchaser. A purchaser of an "open box," previously-returned, or "clearance" item, as well as original purchasers outside of the warranty period, may obtain replacement parts from Sunjoy Industries for products in current production, at nominal cost.

### Exclusions:

Items used for commercial, contract, or other non-residential purposes, or items damaged due to acts of nature, vandalism, misuse, or improper assembly are not covered. Corrosion or rusting of hardware is not covered. Proof of purchase (dated register receipt) is required for warranty claims. Warranty is to the original purchaser and is non-transferable. Any replacement of warranted items will be in the original style and color, or a similar style and color if the original is unavailable or has been discontinued. As some states do not allow exclusions or limitations on an implied warranty, the above exclusions and limitations may not apply. This warranty gives you specific rights, and you may also have other rights, which vary from state to state.

**Please do not return this product to the store.** For technical assistance on assembly or replacement parts, in the continental U.S., you can call us toll-free at 1-866-578-6569 from 8 a.m. to 5 p.m. CST Monday – Friday. In the continental Canada, you can call us toll-free at 1-844-SUNJOY1 (1-844-786-5691) from 8 a.m. to 5 p.m. CST Monday – Friday. You can also send us an email to [customer.care@sunjoygroup.com](mailto:customer.care@sunjoygroup.com) or visit [www.sunjoyonline.com](http://www.sunjoyonline.com) to place your order or fax your parts replacement order form together with your purchase receipt to 1 (740) 283-3549 for assistance.